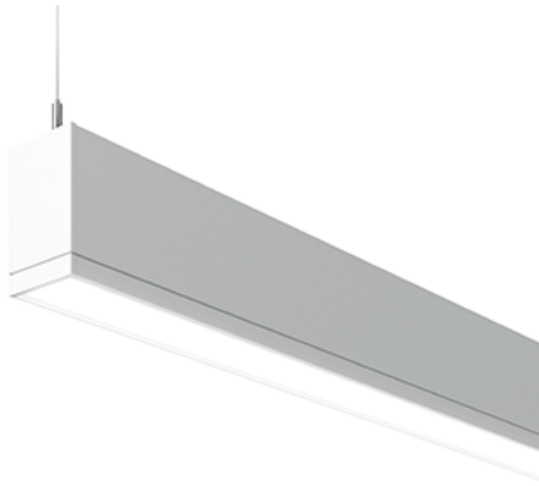




Linear

TruGroove Suspended

3500 lm/4ft, Direct/Indirect
3000/3500/4000K



Project: _____
 Spec Type: _____
 Catalog No: 2906LxDQQ _____
 Qty _____
 Line Notes: _____

TruGroove Recessed is driving performance beyond the edge. Innovative optics deliver exceptional uniformity and wide row spacing from a 3” aperture continuous line-of light. An extended family and refined design are perfect for lighting any professional space.

Ordering guide

Product Type	Source	Color Temp *	Lumens *	Lower Optics	Upper Optics	Run Length	Wiring †	Voltage	Driver	Finish
<input type="text" value="2906"/>	<input type="text" value="L"/>	<input type="text"/>	<input type="text" value="D"/>	<input type="text" value="Q"/>	<input type="text" value="Q"/>	<input type="text"/>	<input type="text"/>	<input type="text"/>	<input type="text"/>	<input type="text"/>
TruGroove Suspended Direct/Indirect	L LED	A 4000K B 3500K C 3000K	B 5200 lm/4ft (35/65) C 4600 lm/4ft (30/70) D 3500 lm/4ft (35/65)	Q Symmetric MesoOptics W Asymmetric MesoOptics	WAsymmetric Performance Q Symmetric Performance	04 4' 06 6' 08 8' A4 2'x2' (Total run length (2' increments))	7 1 cct Dimming G 2 cct Up/Dn Dimming M 1 cct Dimming + EM Wiring N 1 cct Dimming + EM Batt. Pack	1 120V 2 277V 3 347V	E Philips Advance 0-10V (1% dim) S Philips Advance SR (5% dim)	W Standard White T Titanium Silver B Black C Custom

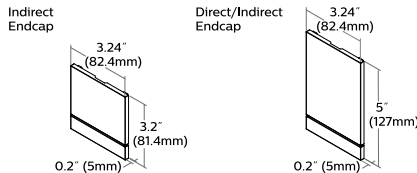
* Nominal values within a range. Consult photometry data for color temp, lumens & distribution of chosen configuration.
 † Not all wiring types are available with all configurations. Consult Philips Ledalite for a complete list of available options.

Mounting Hardware

Mount Type
Consult separate mounting spec sheet for mount type options

Suspension Length
Distance from ceiling to top of luminaire in inches

Endcaps -



Integrated Controls Please indicate with check mark.

Response Daylight Single Zone (DS)
 SpaceWise DT Occupancy & Daylight Sensor (SZ)



TruGroove Suspended

3500 lm/4ft, Direct/Indirect

3000/3500/4000K

Optical System

Upper hemisphere: White light emitted from a linear array of upward-facing LEDs is shaped into a homogeneous, wide-throw batwing distribution using either a freeform elliptical lens or an engineered light guide panel.

Lower hemisphere: White light emitted from a linear array of downward-facing LEDs is laterally redirected using either a biconvex lens or optical microstructures embedded in a layer of MesoOptics DX film. An extruded acrylic lens and MesoOptics film assembly then generates an optimal batwing distribution and a uniform continuum of light.

Endcaps

Diecast flat aluminum endcaps with integral groove to match housing.

Finish

High quality powder coated, available in matte white, black or titanium silver. Other custom colors available on request. White sensors only.

Housing

Precision aluminum extrusion, post painted.

Weight

Maximum: Suspended & Surface 3.9lb/ft, Wall 4.1lb/ft & 2'x2' Corner unit 21lb

Electrical

Factory pre-wired to section ends with quick-wire connectors.

Standard Drivers

Philips Advance Xitanium 0-10V, 1-100%.
Philips Advance Xitanium SR, 5-100% (for SpaceWise DT).

Class 2 rated output. Consult Philips Ledalite for other available drivers.

Standard Battery Pack

Philips Bodine, 90 min, 10W, Class 2 rated output, Emergency lumen output = 10W x luminaire efficacy x 1.1. Typical output: 1100lm.

Lumen Maintenance

At an ambient temperature of 25°C, the LED lumen maintenance expectation according to IES TM-21-11 is:

L80 (12k) 60,000 hrs (**Reported** methodology)

L80 (6k) 110,000 hrs (**Projected** methodology).

Source Color

LEDs rated for color rendering CRI >80, R9 >0 and fixture to fixture color accuracy within 2 SDCM.

Controls

Suspended version available with the following integrated controls:

Response daylight sensor (for single zone).

SpaceWise DT occupancy & daylight sensor w/ advanced grouping & dwell time.

SpaceWise DT commissioning via Android phone and Philips Field App. Compatible dimming wireless wall switches are available. For more information, please refer to www.philips.com/spacewise

Mounting

Suspended: Variable sling mount allows +/- 5" of horizontal adjustment from joint or end. Aircraft cable and tamper-resistant gripper provide unlimited vertical adjustment and are independently tested to stringent safety standards.

Wall: A hidden steel rail and bracket system attaches to the existing structure and supports housings close to the wall. Mount positioning is fully variable along the modules to accommodate site conditions, spaced up to 4½' on center and within 12" of an end or joint.

Surface: Fixture is mounted flush to surface using hidden brackets that attach to existing structure, variable between 0.6"-1.7" from end or joint.

Joints

Self-aligning joining system with hands-free pre-joining wire access.

Approvals

Certified to UL, CSA and IES standards. Certain symmetric indirect/direct and indirect versions are DesignLights Consortium® qualified. Please see the DLC QPL list for exact catalog numbers (www.designlights.org/QPL).

Warranty

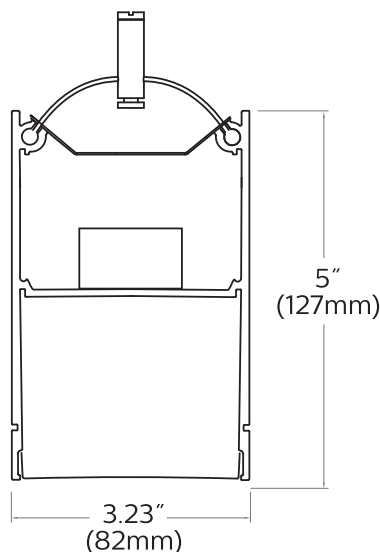
Philips indoor professional luminaires 5 year LED warranty: <http://www.philips.com/warranties>

Environment

Rated for dry or damp locations in operating ambient temperatures 0-40°C (32-104°F). Certain luminaire components may be adversely affected by contaminants. Damage caused by sulfur, chlorine, petroleum based solutions or other contaminants in the area of operation are not covered under warranty. Not suitable for natatorium environments.

Due to continuing product improvements, Philips Ledalite reserves the right to change the specifications without notice.

Dimensions - Cross Section



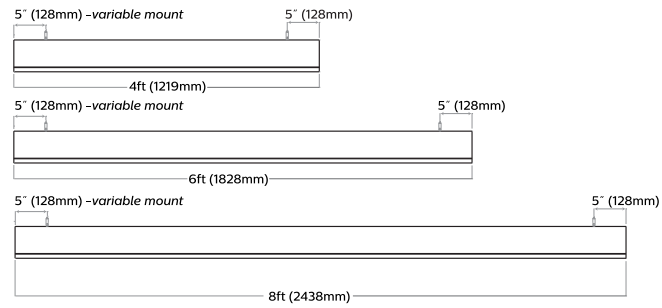
TruGroove Suspended

3500 lm/4ft, Direct/Indirect

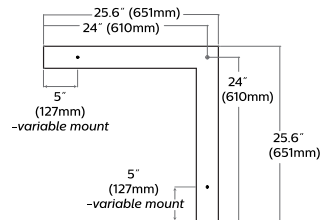
3000/3500/4000K

Dimensions - Modules

Suspended Linear Modules Without Endcaps - Side View



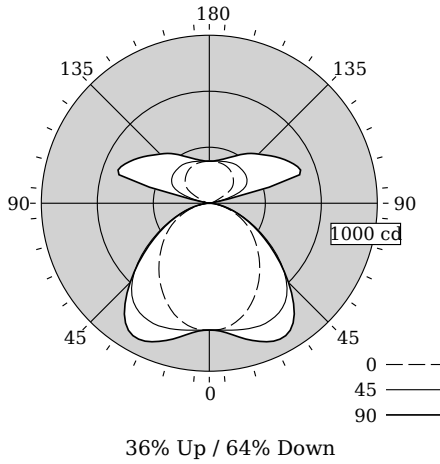
Suspended 2'x2' Corners Without Endcaps - Top View



TruGroove Suspended

3500 lm/4ft, Direct/Indirect
3000/3500/4000K

Photometry - 3500K



Candela Distribution

Vertical Angle	Horizontal Angle				Zonal Lumens
	0	22.5	45	67.5	
0	755	755	755	755	0
5	754	753	758	764	73
15	710	727	777	822	220
25	625	675	790	877	358
35	521	595	759	854	452
45	410	490	647	679	453
55	308	363	457	454	369
65	204	227	265	265	246
75	101	106	119	121	122
85	21	22	25	26	29
90	0	0	0	0	0
95	5	8	9	10	11
105	25	33	110	322	369
115	69	97	238	436	554
125	166	187	270	411	482
135	202	218	278	370	414
145	227	238	279	332	357
155	242	248	269	293	303
165	249	251	259	266	269
175	250	251	252	252	252
180	251	251	251	251	0

Values per 4ft unit

Fixture photometry has been conducted in accordance with IESNA LM-79-08

IES files for this and other photometric options can be downloaded online at www.lightingproducts.philips.com

Coefficients of Utilization (%)

RCR	Ceiling												
	70	50	30	10	70	50	30	10	70	50	30	10	0
0	110	110	110	110	104	104	104	91	91	91	64	0	0
1	101	97	93	89	95	91	88	80	78	75	54	0	0
2	92	85	78	73	86	80	74	70	66	63	45	0	0
3	84	75	67	61	79	70	64	62	57	53	39	0	0
4	77	66	58	52	72	62	55	55	49	45	33	0	0
5	71	59	51	44	66	56	48	49	43	39	29	0	0
6	65	53	44	39	61	50	42	45	38	34	25	0	0
7	60	48	39	34	56	45	38	40	34	30	22	0	0
8	56	43	35	30	52	41	34	37	31	26	20	0	0
9	52	39	32	27	49	37	30	34	28	24	18	0	0
10	49	36	29	24	46	34	28	31	25	21	16	0	0

Avg. Luminance (cd/m²)

Vertical Angle	Horizontal Angle		
	0	45	90
55	5772	8562	8235
65	5197	6737	6502
75	4179	4946	4904
85	2533	3039	3166

Distribution

Hemisphere	36% Up / 64% Down
Glare Control	Meets RP-1-12 recommendations for VDT-Normal spaces
Spacing Along (0 °)	1.14
Spacing Across (90 °)	1.62

Philips Ledalite

LED lighting facts
A Program of the U.S. DOE

Light Output (Lumens) **3651**
Watts **34.8**
Lumens per Watt (Efficacy) **104.91**

Color Accuracy
Color Rendering Index (CRI) **82**

Light Color
Correlated Color Temperature (CCT) **3434 (Bright White)**

2700K 3000K 4500K 6500K

All results are according to IESNA LM-79-2008: Approved Method for the Electrical and Photometric Testing of Solid-State Lighting. The U.S. Department of Energy (DOE) verifies product test data and results.

Visit www.lightingfacts.com for the Label Reference Guide.

Registration Number: F46Z-BW8T6U (1/27/2015)
 Model Number: 29x6LBDQQ
 Type: Luminaire - Linear

TruGroove Suspended

3500 lm/4ft, Direct/Indirect

3000/3500/4000K

Optical Performance

Nominal CCT:	3000K	3500K	4000K
Flux (lm)	3555	3651	3666
Efficacy (lm/W)	102.5	104.9	104.4
Power (W)	34.7	34.8	35.1
CCT (K)	3102	3434	4079
CRI	81	82	83
R9	4	6	13
x	0.4324	0.4118	0.3777
y	0.4072	0.3995	0.3775
Duv	0.0020	0.0020	0.0010

Electrical Performance - 3500K

Input Voltage	120V	277V	347V
Input Power	34.8W	34.9W	31.1W
Input Current	0.29A	0.13A	0.09A
Power Factor	0.997	0.940	0.955
Total Harm. Distortion	8.7%	13.9%	14.0%

Tested values . contact technical support for rated values. Off-state power zero unless certain controls are specified.

With SpaceWise DT, standby power <0.5W (120V) or <0.8W (277V).

