

PHILIPS

Dynalite

Sensors

DUS30CS Multifunction Sensor



Project: _____
Location: _____
Cat.No: _____
Type: _____
Lamps: _____ Qty: _____
Notes: _____

Wall/ceiling mount 30° multifunction sensor

The DUS30CS is wall or ceiling mountable multifunction sensor that combines motion detection (PIR), infrared remote control reception (IR) and ambient light level detection (PE) into one device in applications such as offices, lecture theaters and homes.

Manufactured with an IP54 rating, the DUS30CS is resistant to dust and splashing, making it suitable for use in both indoor and sheltered outdoor areas.

Motion detection feature: Detects the presence or absence of motion and adjusts lights accordingly. The sensor has a 30° scan pattern with flexible angle adjustment.

Ambient light level regulation: In applications where it is necessary to maintain even lighting, the PE function reads ambient levels and adjusts artificial light accordingly.

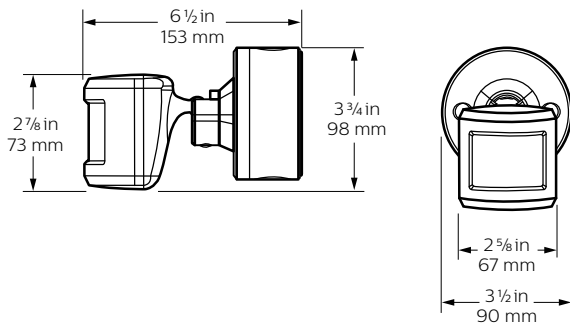
Infrared receive capability: Manually adjust light levels using a hand-held remote control, via the inbuilt IR receive sensor.

Daylight harvesting mode: Delivers automatic energy savings.

Multiple mounting options: Service override switch accessible from front panel.

IP54 rating: Dust- and splash-resistant housing allows installation in a variety of indoor and outdoor applications.

Dimensions



Ordering Code

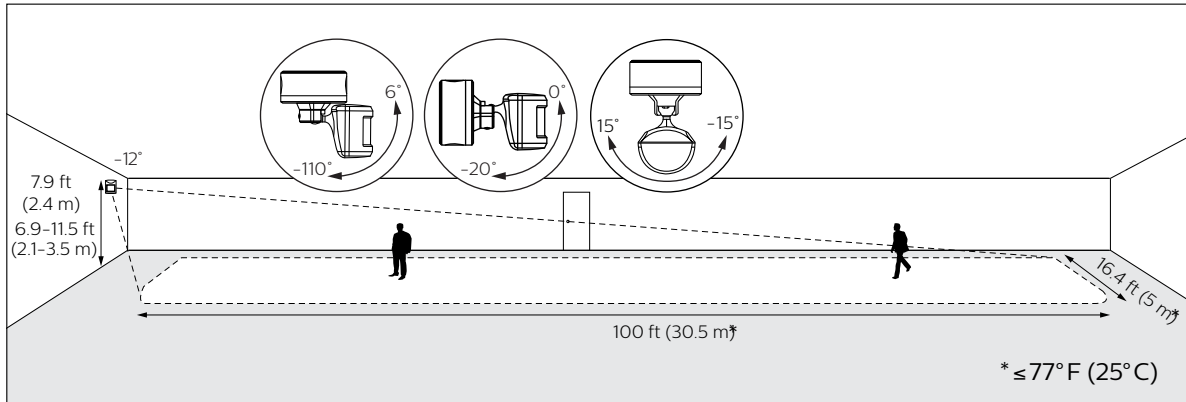
| Product | Philips 12NC |
|---------|--------------|
| DUS30CS | 913703244309 |

| Accessories | Philips 12NC |
|--|--------------|
| DINGUS-DUS-RJ12-DUAL (dual RJ12 connector) | 913703244309 |
| DINGUS-DUS-RJ45-DUAL (dual RJ45 connector) | 913703064409 |
| IRT9090/01 (commissioning & testing RC5 IR remote control) | 913700359103 |
| IRT9010/00 (user-friendly RC5 IR remote control) | 913703064409 |

DUS30CS Multifunction Sensor

Dynalite – Wall/ceiling mount 30° multifunction sensor

Electrical



Physical

| | |
|------------------------|---|
| Dimensions (H x W x D) | 3.86 x 3.54 x 6.02 in (98 x 90 x 153 mm) |
| Packed Weight | 0.57 lb (0.26 kg) |
| Construction | Polycarbonate plastic enclosure |
| Color | White (RAL9010) |
| Serial Ports | 1 x screw terminal |
| Supply Terminals | 2.5 mm ² |
| Conductor Size | (#12 AWG) (max) |

Electrical

| | |
|--------------------------|-------------|
| Supply Type | DyNet |
| Supply Voltage | 12/24 VDC |
| Supply Current | 20 mA (max) |
| IEC Overvoltage Category | III |

Motion Detection (PIR)

| | |
|-------------------------|---------------------------|
| Sensor | Dual element pyroelectric |
| Maximum Detection Range | 100 ft (30.5 m)* |
| Scan Beam Angle | 30° |
| Detection Area | (see first page) |

Light Detection (PE)

| | |
|-----------|--------------|
| Lux Range | 5-90,000 lux |
|-----------|--------------|

Environment

| | |
|------------------------|--|
| Operating temp | -4° to 113°F ambient (-20° to 45°C) |
| Storage/Transport temp | -13° to 158°F ambient (-25° to 70°C) |
| Humidity | 0 to 90% non-condensing |
| IP Rating | IP54 (when installed as per manufacturer instructions) |
| IEC Pollution Degree | II |

Control

| | |
|---------------------|--|
| Serial Ports | 1 x RS485 |
| Supported Protocols | DyNet |
| User Input | Infrared (6m range) (RC5 IR remote control) |
| Indicators | 1 x Red motion LED |

Compliance

| | |
|---------------|-------------------------------------|
| Certification | CE, RCM, UL/cUL, FCC, ICES, RoHS |
|---------------|-------------------------------------|

* Typical detection range at ≤ 25°C (77°F). Range is reduced at higher temperatures.

© 2018 Philips Lighting Holding B.V. All rights reserved. Philips reserves the right to make changes in specifications and/or to discontinue any product at any time without notice or obligation and will not be liable for any consequences resulting from the use of this publication.



Philips Lighting North America Corporation
200 Franklin Square Drive, Somerset, NJ 08873
Tel. 855-486-2216

Philips Lighting Canada Ltd.
281 Hillmount Rd, Markham, ON, Canada L6C 2S3
Tel. 800-668-9008