



# Linear

## Jump Wall/Cantilever

3100 lm/4ft, Asymmetric Solid  
3000/3500/4000K



Project: \_\_\_\_\_  
 Spec Type: \_\_\_\_\_  
 Catalog No: 1238LxEQE  
 Qty \_\_\_\_\_  
 Line Notes: \_\_\_\_\_

Jump's contemporary aesthetic combines the latest lighting technologies with texture, pattern, and rhythm along an uninterrupted end to end continuum of luminance.

### Ordering guide

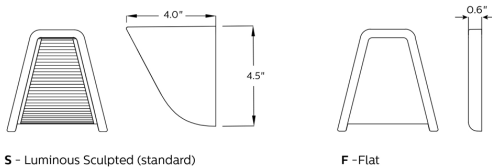
| Product Type                        | Source                         | Color Temp *                  | Lumens *                                     | Lower Optics                   | Upper Optics                                | Run Length                                               | Wiring †                                                                                                    | Voltage                    | Driver                                 | Finish                                                             |
|-------------------------------------|--------------------------------|-------------------------------|----------------------------------------------|--------------------------------|---------------------------------------------|----------------------------------------------------------|-------------------------------------------------------------------------------------------------------------|----------------------------|----------------------------------------|--------------------------------------------------------------------|
| <input type="text" value="1238"/>   | <input type="text" value="L"/> | <input type="text"/>          | <input type="text" value="E"/>               | <input type="text" value="Q"/> | <input type="text" value="E"/>              | <input type="text"/>                                     | <input type="text"/>                                                                                        | <input type="text"/>       | <input type="text"/>                   | <input type="text"/>                                               |
| Jump Cantilever Mount<br>Asymmetric | L LED                          | A 4000K<br>B 3500K<br>C 3000K | C 4200lm/4ft<br>E 3100lm/4ft<br>G 2000lm/4ft | Q MesoOptics Lens              | E Solid Side<br>P PixelPerf<br>S SplashPerf | 04 4'<br>08 8'<br>XX Total run length<br>(4' increments) | 7 1 cct Dimming<br>E 2 cct A/B Dimming<br>M 1 cct Dimming + EM Wiring<br>N 1 cct Dimming + EM Batt.<br>Pack | 1 120V<br>2 277V<br>3 347V | E Philips Advance<br>0-10V<br>(1% dim) | W Standard<br>White<br>T Titanium<br>Silver<br>B Black<br>C Custom |

\* Nominal values within a range. Consult photometry data for color temp, lumens & distribution of chosen configuration.  
 † Not all wiring types are available with all configurations. Consult Philips Ledalite for a complete list of available options.

### Mounting Hardware

**Mount Type**  
 Consult separate mounting spec sheet for mount type options

### Endcaps -



### Integrated Controls Please indicate with check mark.

Response Daylight Single Zone (DS)



# Jump Wall/Cantilever

3100 lm/4ft, Asymmetric Solid

3000/3500/4000K

## Optical System

White light emitted from a linear array of downward-facing LEDs is laterally redirected using either a biconvex lens or optical microstructures embedded in a layer of MesoOptics DX film. An extruded, ribbed acrylic lens and MesoOptics film assembly then generates an optimal batwing distribution and a uniform continuum of light.

## Endcaps

Diecast aluminum, available in luminous sculpted (standard) or flat (optional).

## Finish

High quality powder coated, available in matte white, black or titanium silver. Other custom colors available on request.

## Housing

20 gauge cold-rolled steel, precision formed and welded with optional perforated patterns.

## Weight

Maximum 3.5lb/ft.

## Electrical

Factory pre-wired to section ends with quick-wire connectors.

## Standard Driver

Philips Advance Xitanium 0-10V, 1-100%. Class 2 rated output. Consult Philips Ledalite for other available drivers.

## Standard Battery Pack

Philips Bodine, 90 min, 10W, Class 2 rated output, Emergency lumen output = 10W x luminaire efficacy x 1.1. Typical output: symmetric 1300lm, asymmetric 1100lm.

## Lumen Maintenance

At an ambient temperature of 25°C, the LED lumen maintenance expectation according to IES TM-21-11 is:  
L<sub>80</sub> (12k) >72,000 hrs (**Reported** methodology)  
L<sub>70</sub> (12k) 110,000 hrs (**Projected** methodology).

## Source Color

LEDs rated for color rendering CRI >80, R9 >0 and fixture to fixture color accuracy within 2 SDCM.

## Controls

Available with the following integrated controls:  
Response daylight sensor (for single zone).

## Mounting

Variable position mounts can be installed up to 18" from each joint and end (suspended, surface, wall or cantilever). In the suspended mount, high strength aircraft cable and stainless steel gripper provide unlimited vertical adjustment and are independently tested to stringent safety standards.

## Joints

Self-aligning joining system with hands-free pre-joining wire access.

## Approvals

Certified to UL, CSA and IES standards. Certain symmetric versions (12x1L) excluding 3000K, 4900lm/4ft configurations (12x1LCC) are DesignLights Consortium® qualified. Please see the DLC QPL list for exact catalog numbers ([www.designlights.org/QPL](http://www.designlights.org/QPL)).

## Warranty

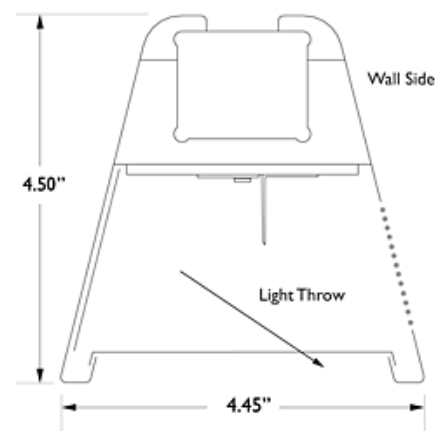
Philips indoor professional luminaires 5 year LED warranty: <http://www.philips.com/warranties>

## Environment

Rated for dry or damp locations in operating ambient temperatures 0–40°C (32–104°F). Certain luminaire components may be adversely affected by contaminants. Damage caused by sulfur, chlorine, petroleum based solutions or other contaminants in the area of operation are not covered under warranty. Not suitable for natatorium environments.

Due to continuing product improvements, Philips Ledalite reserves the right to change the specifications without notice.

## Dimensions - Cross Section

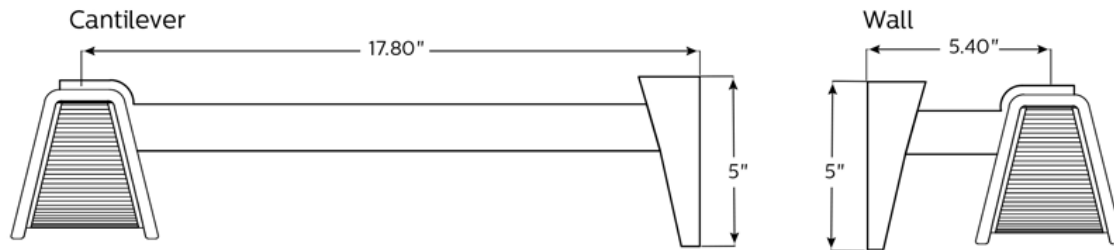


# Jump Wall/Cantilever

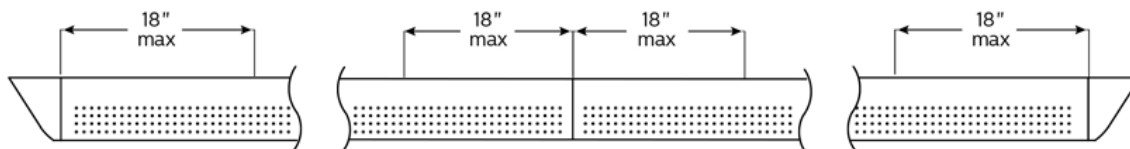
3100 lm/4ft, Asymmetric Solid

3000/3500/4000K

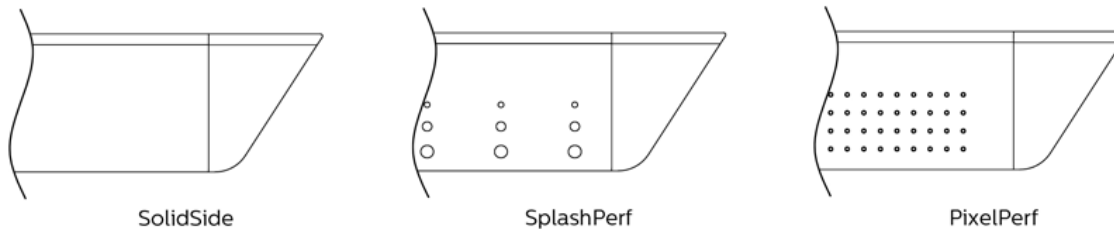
## Dimensions - Modules



## Mounting Run Options



## Optics and Styles

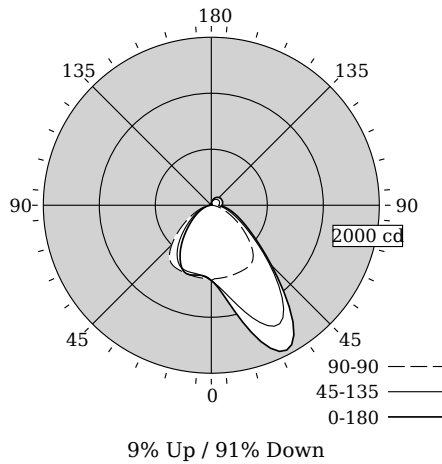


# Jump Wall/Cantilever

3100 lm/4ft, Asymmetric Solid

3000/3500/4000K

## Photometry - 3500K



## Candela Distribution

| Vertical Angle | Horizontal Angle |      |      |      | Zonal Lumens |
|----------------|------------------|------|------|------|--------------|
|                | 0                | 45   | 90   | 135  |              |
| 0              | 1142             | 1142 | 1142 | 1142 | 0            |
| 5              | 1236             | 1211 | 1115 | 1101 | 111          |
| 15             | 1618             | 1425 | 1082 | 1068 | 353          |
| 25             | 1868             | 1607 | 1025 | 1064 | 594          |
| 35             | 1524             | 1402 | 942  | 945  | 697          |
| 45             | 902              | 890  | 726  | 666  | 591          |
| 55             | 497              | 486  | 452  | 405  | 398          |
| 65             | 272              | 257  | 244  | 230  | 242          |
| 75             | 128              | 116  | 110  | 110  | 98           |
| 85             | 14               | 21   | 28   | 33   | 25           |
| 90             | 0                | 0    | 0    | 0    | 0            |
| 95             | 0                | 0    | 0    | 0    | 0            |
| 105            | 0                | 0    | 0    | 0    | 0            |
| 115            | 0                | 0    | 0    | 0    | 0            |
| 125            | 0                | 0    | 0    | 0    | 0            |
| 135            | 0                | 0    | 0    | 0    | 0            |
| 145            | 0                | 0    | 0    | 0    | 0            |
| 155            | 0                | 0    | 0    | 0    | 0            |
| 165            | 0                | 0    | 0    | 0    | 0            |
| 175            | 0                | 0    | 0    | 0    | 0            |
| 180            | 0                | 0    | 0    | 0    | 0            |

Values per 4ft unit

Fixture photometry has been conducted in accordance with IESNA LM-79-08

IES files for this and other photometric options can be downloaded online at [www.lightingproducts.philips.com](http://www.lightingproducts.philips.com)

## Coefficients of Utilization (%)

| RCR | Ceiling |     | 80  |     | 70  |     | 50  |     | 10  |     | 0   |
|-----|---------|-----|-----|-----|-----|-----|-----|-----|-----|-----|-----|
|     | 70      | 50  | 30  | 10  | 70  | 50  | 30  | 50  | 30  | 10  | 0   |
| 0   | 119     | 119 | 119 | 119 | 116 | 116 | 116 | 111 | 111 | 111 | 100 |
| 1   | 110     | 106 | 102 | 99  | 108 | 104 | 100 | 100 | 97  | 94  | 87  |
| 2   | 101     | 94  | 88  | 83  | 99  | 92  | 87  | 89  | 84  | 80  | 75  |
| 3   | 93      | 84  | 77  | 71  | 91  | 82  | 76  | 79  | 74  | 69  | 65  |
| 4   | 86      | 75  | 67  | 61  | 84  | 74  | 66  | 71  | 65  | 60  | 56  |
| 5   | 80      | 68  | 60  | 53  | 78  | 67  | 59  | 65  | 58  | 53  | 49  |
| 6   | 74      | 61  | 53  | 47  | 72  | 61  | 53  | 59  | 52  | 47  | 44  |
| 7   | 69      | 56  | 48  | 42  | 67  | 55  | 47  | 54  | 47  | 42  | 39  |
| 8   | 64      | 51  | 43  | 38  | 63  | 51  | 43  | 49  | 42  | 37  | 35  |
| 9   | 60      | 47  | 39  | 34  | 59  | 47  | 39  | 45  | 39  | 34  | 32  |
| 10  | 56      | 44  | 36  | 31  | 55  | 43  | 36  | 42  | 35  | 31  | 29  |

## Avg. Luminance (cd/m2)

| Vertical Angle | Horizontal Angle |      |      |
|----------------|------------------|------|------|
|                | 0                | 90   | 180  |
| 55             | 7240             | 6586 | 5199 |
| 65             | 5382             | 4828 | 4022 |
| 75             | 4150             | 3541 | 3172 |
| 85             | 1302             | 2684 | 2382 |

## Distribution

|                       |                                                     |
|-----------------------|-----------------------------------------------------|
| Hemisphere            | 0% Up / 100% Down                                   |
| Glare Control         | Meets RP-1-12 recommendations for VDT-Normal spaces |
| Spacing Along (0 °)   | 1.65                                                |
| Spacing Across (90 °) | 1.3                                                 |
| Spacing at 180 °      | 1.29                                                |

Philips Ledalite

**LED lighting facts**  
A Program of the U.S. DOE

---

**Light Output (Lumens)** **3241**

**Watts** **32.5**

**Lumens per Watt (Efficacy)** **99.7**

---

**Color Accuracy**  
Color Rendering Index (CRI) **83**

---

**Light Color**  
Correlated Color Temperature (CCT) **3434 (Bright White)**

2700K    3000K    4500K    6500K

---

All results are according to IESNA LM-79-2008: Approved Method for the Electrical and Photometric Testing of Solid-State Lighting. The U.S. Department of Energy (DOE) verifies product test data and results.

Visit [www.lightingfacts.com](http://www.lightingfacts.com) for the Label Reference Guide.

Registration Number: F46Z-5ESAP1 (7/21/2017)  
Model Number: 1238LBEQE  
Type: Luminaire - Linear

# Jump Wall/Cantilever

3100 lm/4ft, Asymmetric Solid

3000/3500/4000K

## Optical Performance

| Nominal CCT:    | 3000K  | 3500K  | 4000K  |
|-----------------|--------|--------|--------|
| Flux (lm)       | 3090   | 3241   | 3288   |
| Efficacy (lm/W) | 94.8   | 99.7   | 100.2  |
| Power (W)       | 32.6   | 32.5   | 32.8   |
| CCT (K)         | 3076   | 3434   | 4055   |
| CRI             | 84     | 83     | 84     |
| R9              | 11     | 7      | 10     |
| x               | 0.4321 | 0.4109 | 0.3792 |
| y               | 0.4031 | 0.3974 | 0.3796 |
| Duv             | 0.0002 | 0.0017 | 0.0018 |

## Electrical Performance - 3500K

| Input Voltage          | 120V  | 277V  | 347V  |
|------------------------|-------|-------|-------|
| Input Power            | 32.6W | 32.5W | 33.5W |
| Input Current          | 0.27A | 0.12A | 0.10A |
| Power Factor           | 0.996 | 0.964 | 0.964 |
| Total Harm. Distortion | 6.7%  | 10.0% | 9.0%  |

Tested values . contact technical support for rated values. Off-state power zero unless certain controls are specified.

