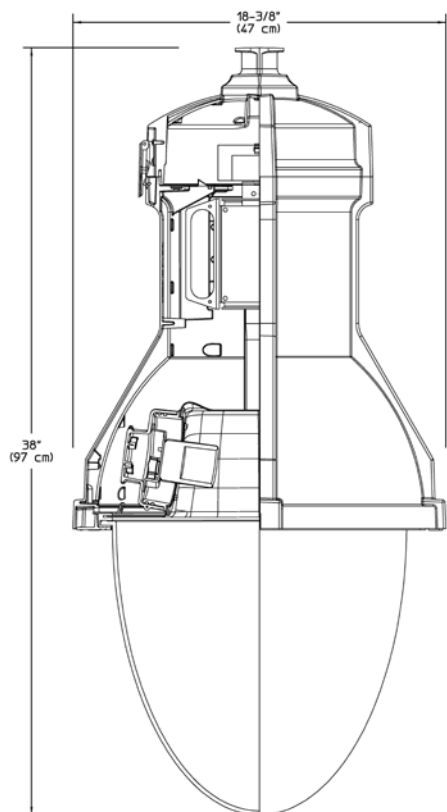


Project: _____
 Location: _____
 Cat.No: _____
 Type: _____
 Lamps: _____ Qty: _____
 Notes: _____



Ordering Guide

Example: TF9 N A GF 3 N D 150S E

Product Code	TF9	Teardrop	
Mounting	N P	Cast Neck Threaded Pipe	
Finish	A B G H J	Black White Verde Bronze Green	
Lens	GF GL KL	Flat Glass Glass Long Globe Acrylic Long Globe	*1
Optics	3 4 5	Type III Type IV Type V	
Photo Control	N	None	
Socket	D G	Medium Mogul	
Wattage	150S 200S 250S 400S 150H 250H 320H 320HB	150W HPS 200W HPS 250W HPS 400W HPS 150W MH 250W MH 320W PMH 320W PMH BT/ED37	 *2 *2 *2 *2 *2 *2, 3, 4
Voltage	E F G H J K	120V 208V 240V 277V 480V 347V	

*1 For use with Type III (3) optics only.
 *2 Available with Mogul Base (G) socket only.
 *3 Uses BT37 or ED37 lamp.
 *4 Only can be used with type 4 and 5 optics

Specifications

HOUSING:

Hadco's new Teardrop is the easiest to install, easiest to maintain Teardrop fixture on the market. It combines totally Tool-Free maintenance with IP66 optical assemblies that seal out water, dust, and insects.

A single external latch opens the fixture, which hangs open freely, allowing access to both the lamp and the ballast at the same time. And, both can be changed in a matter of seconds, with no tools.

Start saving time and money today by specifying and installing the new TF8 and TF9 Teardrops from Hadco.

360 low-copper die-cast aluminum alloy . Single, stainless steel exterior latch. Tool-less lamp access. Tool-less ballast access. Tool-less ballast assembly with quick disconnects for easy maintenance. A weatherproof ballast assembly isolates the ballast from water and heat for longer life. IP66 optical chamber seals out dust, insects, and moisture. Cast Neck option (N) for use with clamp collar, or Threaded Pipe option (P) 1-1/2-11.5 MPSM pipe nipple for mounting to arm. All non-ferrous fasteners prevent corrosion and ensure longer life.

FINISH:

Thermoset polyester powdercoat is electrostatically applied after a five-stage conversion cleaning process and bonded by heat fusion thermosetting. Laboratory tested for superior weatherability and fade resistance in accordance with ASTM B117 specifications. For larger projects where a custom color is required, contact the factory for more information.

TF9 Pendant

HPS/MH Pendant

Specifications

LAMPING:

MH and HPS Medium base: E17. Pulse Start Metal Halide (MH) Medium base: E17. MH and 250W HPS Mogul base: ED28. Pulse Start Metal Halide (MH) Mogul base: ED28. 320W PMH (320HB) Mogul base: BT37, ED37 HPS Mogul base: E23.5. Induction lamping available. Consult Factory LED light engine available, consult factory

ELECTRICAL ASSEMBLY:

Tool-less ballast assembly with single captivated pin and quick disconnects for easy maintenance. Twistlock socket cap allows for tool-less relamping. 4kv rated porcelain mini-can base. Nickel-plated screw shell with center contact. 4kv rated mogul base porcelain socket. Nickel-plated screw shell with center contact.

BALLAST:

All HID ballasts are core and coil and regulated with power factors better than 90% (HPF). Ballast provides +/- 5% lamp power regulation with +/- 10% input voltage regulation. Ballasts are factory pre-wired and tested. Metal halide ballasts are capable of starting at -20° F or -30° C and HPS at -40°F or -40°C. NOTE: All ballasts are EISA / Title 20 / Title 24 compliant where applicable.

IP RATING:

IP66: Dust-tight and sealed against direct jets of water. No Ingress of dust. Water projected in powerful jets shall not enter the enclosure in harmful quantities. Will withstand 26.4 gallons of water per minute.

CERTIFICATIONS:

ETL Listed to U.S. safety standards for wet locations. cETL listed to Canadian safety standards for wet locations. Manufactured to ISO 9001:2008 Standards.

WARRANTY:

Three-year limited warranty.

Height :

TF9 Flat: 23 13/16" (60cm)

Width:

TF9 Flat: 18 3/8" (47cm)

Height :

TF9 Long: 37 7/8" (96cm)

Width:

TF9 Long: 18 3/8" (46cm)

Max. EPA:

TF9 Flat: 2.00 sq. ft.

Max. EPA:

TF9 Long: 2.60 sq. ft.

Max. Weight:

TF9 Flat: 40 lbs

Max. Weight:

TF9 Long: 47 lbs

IESNA Classifications:

Cutoff: Cutoff Optics

IESNA Classifications:

Full Cutoff: Flat Glass

