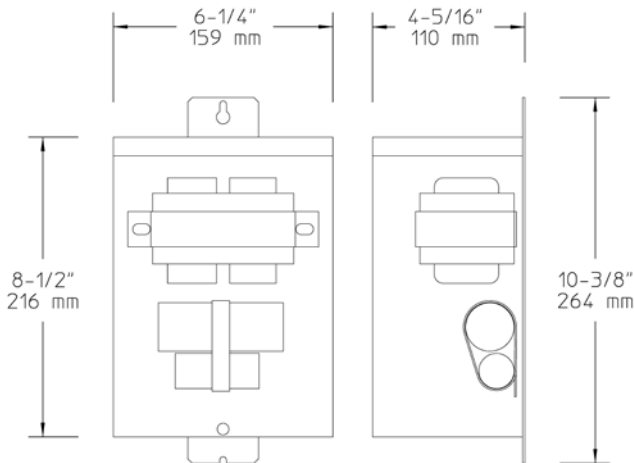


Project: _____
 Location: _____
 Cat.No: _____
 Type: _____
 Lamps: _____ Qty: _____
 Notes: _____



Ordering Guide

Example: ABH 351

Product Code	ABH	Remote Ballast
Wattage	351	(1) 35W MH
	501	(1) 50W MH
	701	(1) 70W MH
	1001	(1) 100W MH
	1501	(1) 150W PMH

Specifications

HOUSING:

Ballast box housing is constructed from heavy gauge formed steel with removable cover, integral mounting lugs, and three (3) 1/2" and 3/4" combination knockouts for conduit entry on bottom of housing. Fasteners are 300 series stainless steel.

FINISH:

Thermoset polyester powdercoat is electrostatically applied after a five-stage conversion cleaning process and bonded by heat fusion thermosetting. Laboratory tested for superior weatherability and fade resistance in accordance with ASTM B117 specifications.

ELECTRICAL ASSEMBLY:

Standard 120VAC, 60Hz input.

BALLAST:

All metal halide HID ballasts are core and coil and regulated with power factors better than 90% (HPF). Ballast provides +/- 5% lamp power regulation with +/- 10% input voltage regulation. Ballasts are factory pre-wired and tested. Metal halide ballasts are capable of starting at -20° F or -30° C. Ballast is encapsulated in epoxy resin for moisture resistance and additional corrosion protection. Long range ignitor included as standard equipment.

INSTALLATION & MOUNTING:

Ballast box mounts vertically on the wall, structure, or post with the conduit entries positioned downward. Mounting hardware is not included.

WARRANTY:

Three-year limited warranty.

CERTIFICATIONS:

ETL listed to U.S. safety standards for wet locations. cETL listed to Canadian safety standards for wet locations. Manufactured to ISO 9001:2008 Standards.

Height :

7 1/2"

Width:

6 3/8"

Depth:

5"

