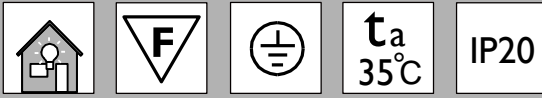


# T5 Highbay 天棚灯具

## TPS550

Mounting instruction / 安装说明书

TPS550-M001a



Type Desc. 型号描述	Beam 光束角	Vol./Fre. 电压/频率		
TPS550/654	NB/MB/WB	220V/50Hz	T5 HO TOP 54W	11.5
TPS550/454			T5 HO 54W/T5 Eco 49W	11.0
TPS550/254			T5 HO 54W/T5 Eco 49W	7.3
TPS550/428	NB/MB/WB	220V/50Hz	T5 HE 28W/T5 Eco 25W	11.0
TPS550/228			T5 HE 28W/T5 Eco 25W	7.3

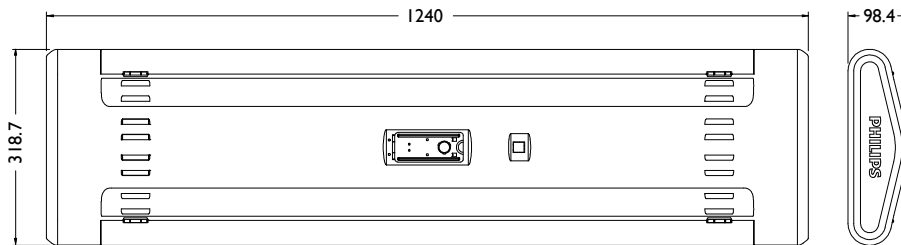
Type Desc. 型号描述	Beam 光束角	Vol./Fre. 电压/频率		
TPS550 6xTL5-54W HFP	NB/MB/WB	220-240V 50/60Hz	T5 HO TOP 54W	11.5
TPS550 4xTL5-54W HFP			T5 HO 54W/T5 Eco 49W	11.0
TPS550 2xTL5-54W HFP			T5 HO 54W/T5 Eco 49W	7.3
TPS550 6xTL5-54W HFR	NB/MB/WB	220-240V 50/60Hz	T5 HO TOP 54W	11.5
TPS550 4xTL5-54W HFR			T5 HO 54W/T5 Eco 49W	11.0
TPS550 2xTL5-54W HFR			T5 HO 54W/T5 Eco 49W	7.3
TPS550 4xTL5-28W HFR			T5 HE 28W/T5 Eco 25W	11.0
TPS550 2xTL5-28W HFR			T5 HE 28W/T5 Eco 25W	7.3
TPS550 4xTL5-28W EBP	NB/MB/WB	220-240V 50/60Hz	T5 HE 28W/T5 Eco 25W	11.0
TPS550 2xTL5-28W EBP			T5 HE 28W/T5 Eco 25W	7.3

### Accessories for Optional / 可选附件:

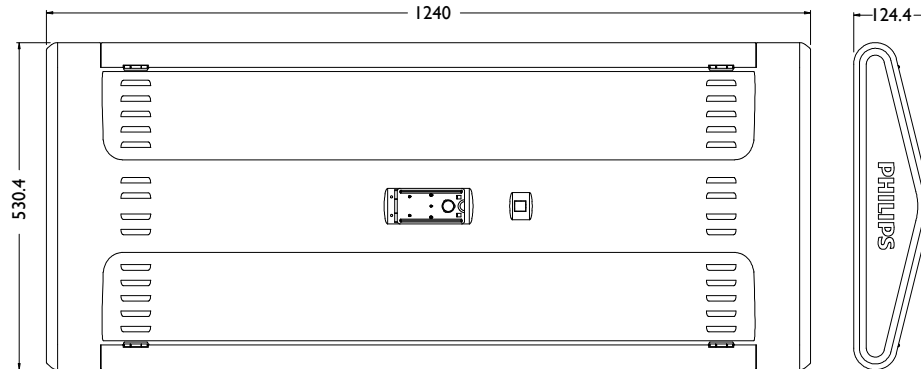
1. ZPS550 MB (Pipe & surface installation plate)
2. ZPS550 PC W500 (PC cover for 4, 6 lamp version)
3. ZPS550 PC W300 (PC cover for 2 lamp version)
4. ZPS550 extension cable (Extension wire for HF-R ballast)

### Dimension 尺寸 (mm)

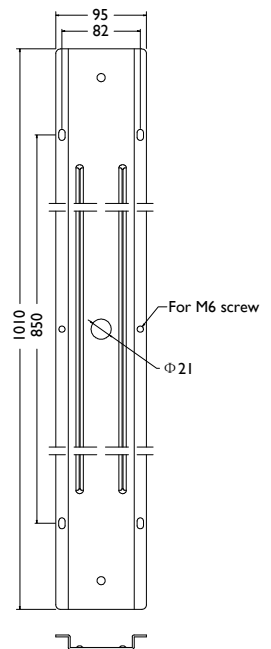
#### TPS550 2xlamps :



#### TPS550 4/6xlamps :

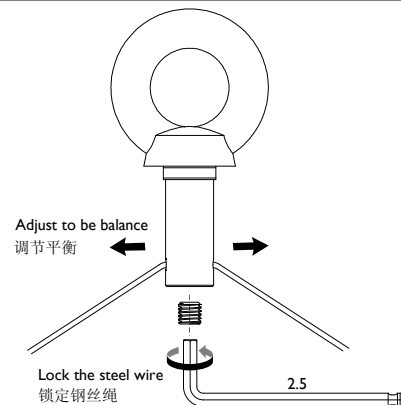
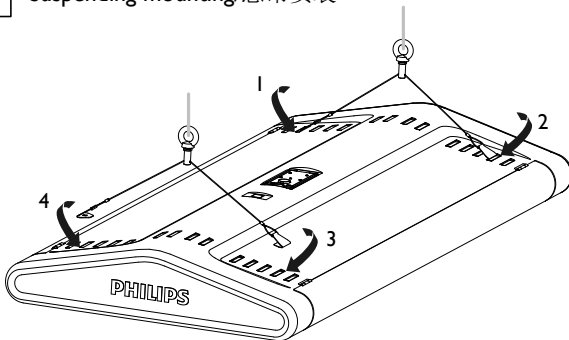


#### ZPS550 MB : (Provide separately)

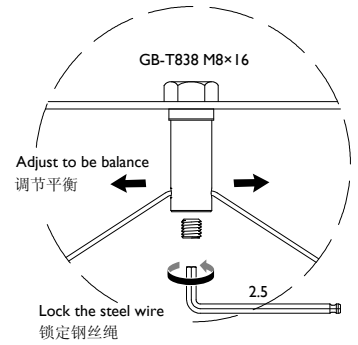
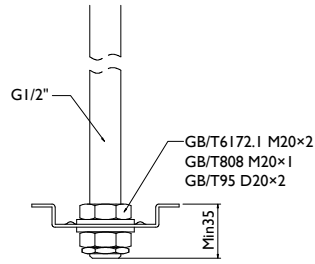
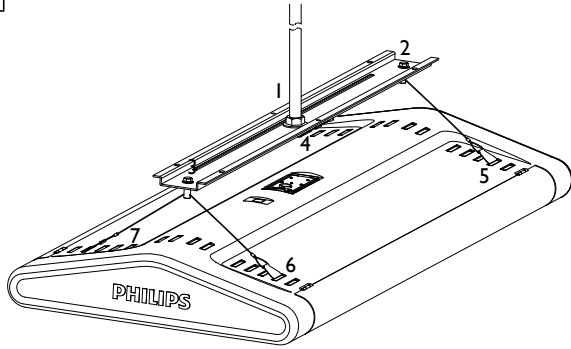


### Installation 安装应用

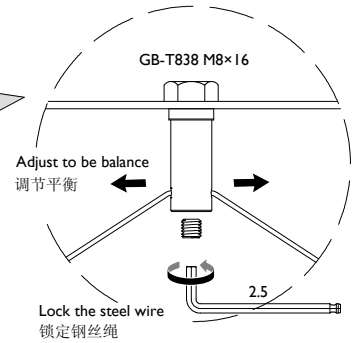
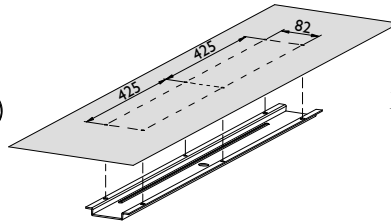
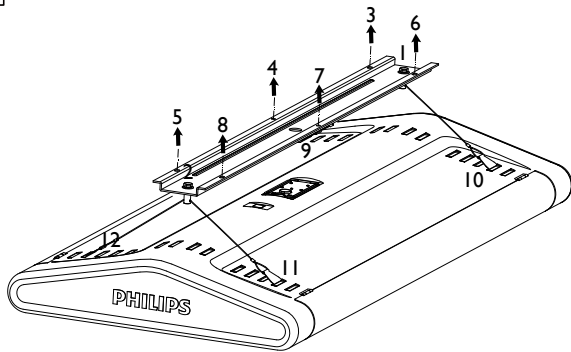
#### I Suspending mounting / 悬吊安装



## 2 Pipe mounting/杆装方式

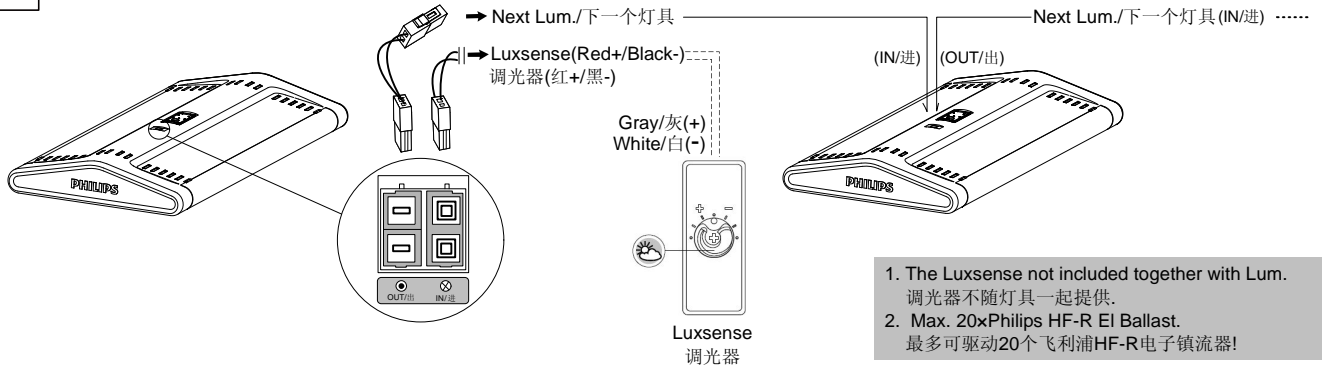


## 3 Surface mounting/吸顶安装



## Extension module/扩展模块

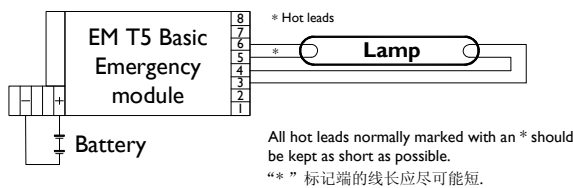
### 4 HF-R I-10V调光系统接线示意图



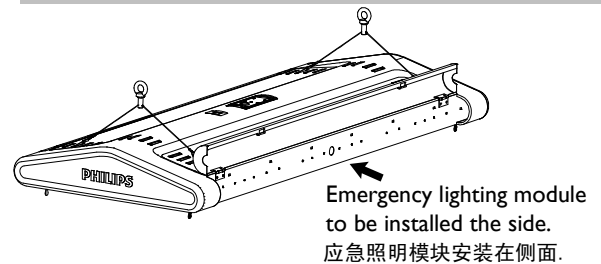
### 5 Emergency lighting module/应急照明

Recommend to use/推荐使用:

Type 型号	Emergency lighting module 应急照明模块	Battery 电池
28W	EM 21/28/49-5 T5 BASIC (89899823)	Accu-NiCd 6A (89895963)
54W	EM 54/80-6 T5 BASIC (89899826)	Accu-NiCd 6A (89895963)



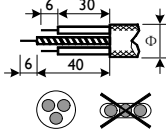
1. The Emergency lighting module not included together with Lum.  
For more details, please contact with PHILIPS or assigned dealers.  
应急照明系统不随灯具一起提供。具体请咨询飞利浦指定经销商。
2. Only for 2&4x lamps version.  
此应用仅适用于2灯和4灯版本!



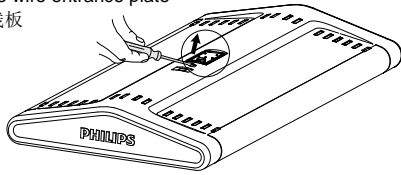
## Maintenance/维护

### 6 Wiring/接线

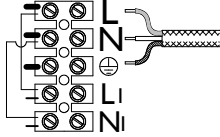
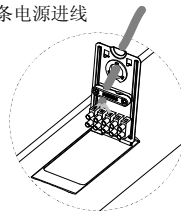
Cable/外部接线:  
60227IEC53 3x1.0~1.5mm<sup>2</sup>  
60245IEC57 3x1.0~1.5mm<sup>2</sup>  
8mm ≤ Φ ≤ 10mm



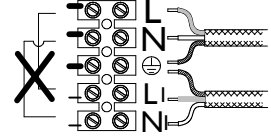
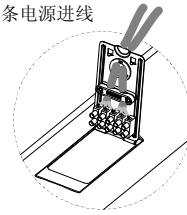
Open the wire entrance plate  
打开进线板



One mains entrance  
一条电源进线

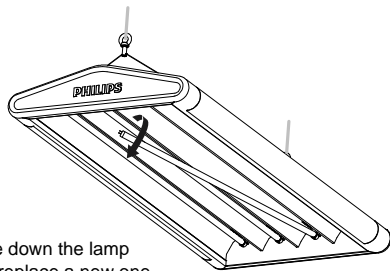


Two mains entrance  
两条电源进线



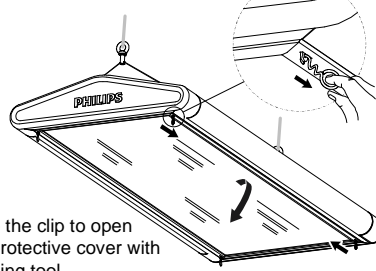
### 7 Lamp Replacement /更换光源

1. Turn off the power before this operation.  
操作前请关闭电源



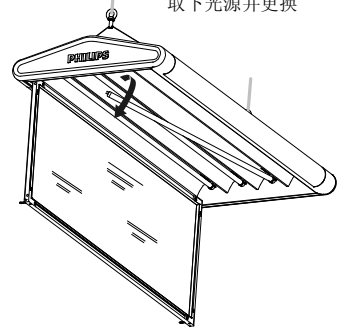
2. Take down the lamp  
and replace a new one.  
取下光源并更换

1. Turn off the power before this operation.  
操作前请关闭电源



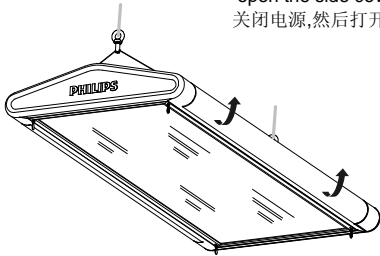
2. Slide the clip to open  
the protective cover with  
opening tool.  
用开盖工具滑动锁扣将  
防护屏打开

3. Take down the lamp  
and replace a new one.  
取下光源并更换

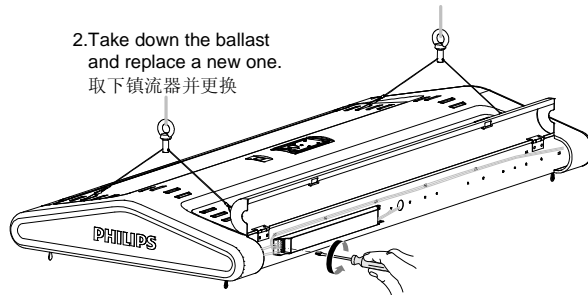


### 8 Ballast Replacement /更换镇流器

1. Turn off the power, then  
open the side cover.  
关闭电源, 然后打开侧盖



2. Take down the ballast  
and replace a new one.  
取下镇流器并更换



## Notice/注意事项



- In order to ensure optimum performance, please clean the luminaire regularly (recommended twice a year). While cleaning the luminaire, please use a soft cotton pad only.  
为了保持灯具明亮效果, 请定期 (半年一次) 进行清洁。灯具清洁时请使用软布擦拭。
- Please turn off the power before maintenance and lamp & ballast replacement.  
须断开电源后, 才能维修和更换光源及镇流器。
- The luminaire shall be installed by a qualified electrician according to specified step, and wired in accordance with the latest IEE electrical regulations or the national requirements.  
灯具应由有资格的电工按照说明书中所示步骤进行安装, 接线要符合 IEE 电气标准或国家标准。
- Please replace any cracked protective screen.  
防护屏碎裂时请及时更换。
- This luminaire is only suitable for indoor usage. And not suitable for the corrosive environment and area prone to hurricane and extreme winds.  
本灯具仅限于室内使用。且不适合安装在会产生酸碱腐蚀性环境及海边、港口等强台风多发地区。
- The luminaire suit for IEC60598.  
灯具符合国标 GB7000.1, GB7000.10, GB17743, GB17625.1。
- The luminaire must be used with corresponding lamp/ballast and mounting accessories. Philips will not be responsible for all consequences if misused.  
本产品必须与对应的光源/镇流器及安装附件配套使用, 飞利浦不承担因搭配使用不当而产生的一切后果及责任。

