



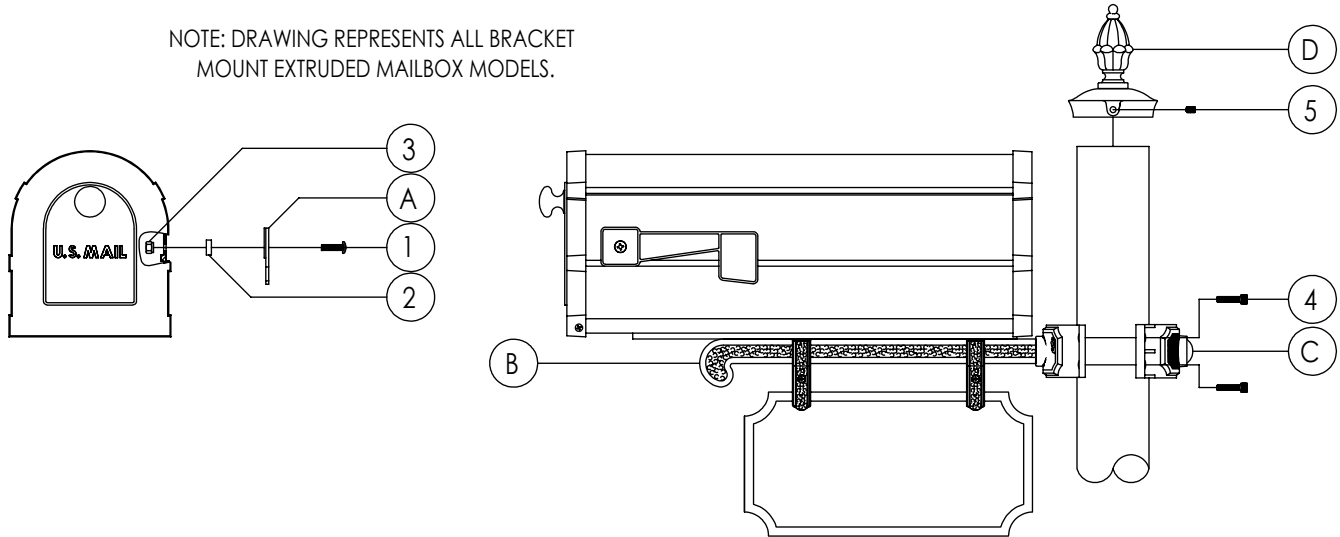
by Signify

Signify North America Corporation  
200 Franklin Square Drive  
Somerset, NJ 08873  
Telephone 855-486-2216

Signify Canada Ltd.  
281 Hillmount Road,  
Markham, ON, Canada L6C 2S3  
Telephone 800-668-9008

# INSTALLATION INSTRUCTIONS: CLAMP-ON MAILBOXES

NOTE: DRAWING REPRESENTS ALL BRACKET  
MOUNT EXTRUDED MAILBOX MODELS.



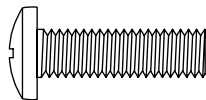
**FLAG ASSEMBLY:** INSERT THE PAN HEAD SCREW "1" THROUGH THE HOLE IN THE FLAG "A" AND PLACE THE NYLON SPACER "2" ON THE SCREW. WITH THE FLAG FACING THE REAR OF THE MAILBOX "B", INSERT THE SCREW THROUGH THE HOLE IN THE SIDE OF THE MAILBOX. FROM INSIDE, THREAD LOCKNUT "3" ON EXPOSED SCREW AND TIGHTEN.

**MAILBOX/BRACKET ARM TO POST ASSEMBLY:** PLACE THE MAILBOX/BRACKET ARM ASSEMBLY "B" ONTO THE POST AT DESIRED POSITION. PUT OPPOSING BRACKET "C" IN PLACE AND SECURE WITH THE FOUR 1/4-20 SCREWS "4".

**POST CAP ASSEMBLY:** SET POST CAP "D" ON TOP OF POST AND SECURE IN PLACE WITH SET SCREW "5".

## FULL SIZE HARDWARE

1



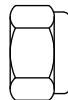
1 PIECE 1/4-20 X 7/8" LONG PAN HEAD SCREW.

2



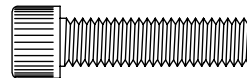
1 PIECE NYLON SPACER

3



1 PIECE 1/4-20 LOCKNUT

4



4 PIECES 1/4-20 X 1" LONG SOCKET HEAD SCREW.

5



1 PIECE 1/4-20 X 3/8" LONG CUP POINT SET SCREW.