

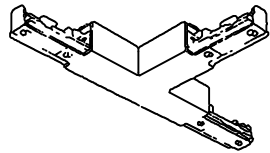
**Advent Lytespan® "T" and "X" Connectors**

FOR USE WITH ADVENT LYTESPAN® TRACK SYSTEMS ONLY.

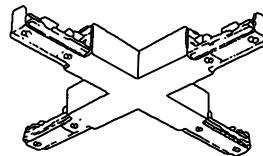
**Read and understand these instructions before installing accessory.**

This accessory is intended for installation in accordance with the National Electrical Code and local regulations. To assure full compliance with local codes and regulations, check with your local electrical inspector before installation. To prevent electrical shock, turn off electricity at fuse box before proceeding.

**Retain these instructions for maintenance reference.**



"T" CONNECTOR  
FIG. 1



"X" CONNECTOR  
FIG. 2

The "T" and "X" CONNECTORS are track connectors designed for quick field wiring and can be used with Surface Mounted or Stem Mounted Advent Lytespan Track. Power can be fed into these CONNECTORS (see instruction B). There are numerous wiring possibilities for the "T" and "X" CONNECTORS. The examples show only a few of these. If there are any doubts about what can and can't be done, please consult your local Lightolier representative.

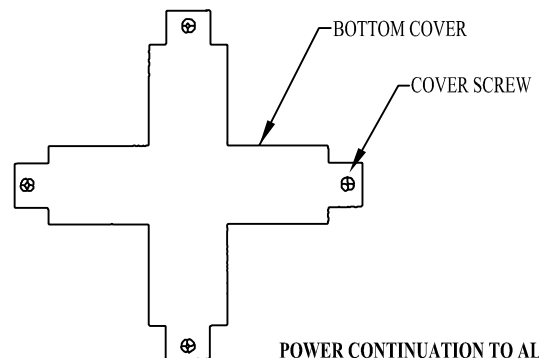
**CAUTION:**

- TURN OFF POWER AT FUSE BOX BEFORE INSTALLING TRACK.
- INSTRUCTIONS FOR GROUNDING PER INSTRUCTION SHEET OF THE FEED-IN KIT MUST BE FOLLOWED.  
FAILURE TO DO SO MAY RESULT IN A HAZARDOUS CONDITION.
- USE ONLY #12 GA. SOLID COPPER WIRE IN CONNECTORS TO MAINTAIN PROPER RATING OF TRACK.
- OBSERVE POLARITY, WHITE (NEUTRAL) WIRE MUST BE ALONG BEAD (NEUTRAL) SIDE OF TRACK.  
FAILURE TO OBSERVE POLARITY MAY RESULT IN POTENTIAL ELECTRICAL HAZARD.

**A. INSTALLATION AND POWER CONTINUITY**

JUMPER WIRES are provided in package for power continuity.

1. Remove LIVE END (loosen screw), DEAD END COVER or COUPLER (loosen screw) from ends of TRACK UNITS to be attached to "T" or "X" CONNECTOR.
2. Remove BOTTOM COVER by loosening COVER screws (Fig. 3).
3. Per track layout, mark the LOWER SCREW TERMINAL in each leg of the "T" or "X" CONNECTOR which is in line with the BEAD in the track units.
4. Install white NEUTRAL wires into marked SCREW TERMINALS and install black and red wires into SCREW TERMINALS on opposite side (see Fig. 3). Tighten SCREW TERMINALS securely.  
**NOTE:** a. Each SCREW TERMINAL accepts two wires for two-way power continuity.  
b. Where wires make right angle turns in "T" or "X" CONNECTOR, cut wires furnished to required length, strip 7/16" and prebend wires to facilitate installation.  
c. Use only #12 GA. solid copper wires in "T" or "X" CONNECTOR.
5. Insert "T" or "X" CONNECTOR into track units and tighten LOCKING SCREWS.
6. Check that white wires are lined up with the BEAD of all track units. Fasten BOTTOM COVER to "T" or "X" CONNECTOR and tighten COVER SCREWS.



POWER CONTINUITY TO ALL  
TRACK UNITS  
SEE WIRE KEY ON BACK

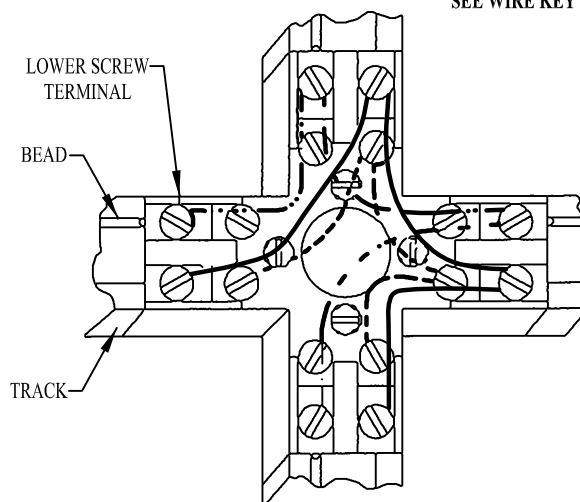


FIG. 3

**LIGHTOLIER**

by Signify

www.lightolier.com

Signify North America Corporation  
200 Franklin Square Drive  
Somerset, NJ 08873, USA  
Phone: 855-486-2216

Signify Canada Ltd./ Signify Canada Ltée  
281 Hillmount Road  
Markham ON, Canada L6C 2S3  
Phone: 800-668-9008

C0119

**LIGHTOLIER®**

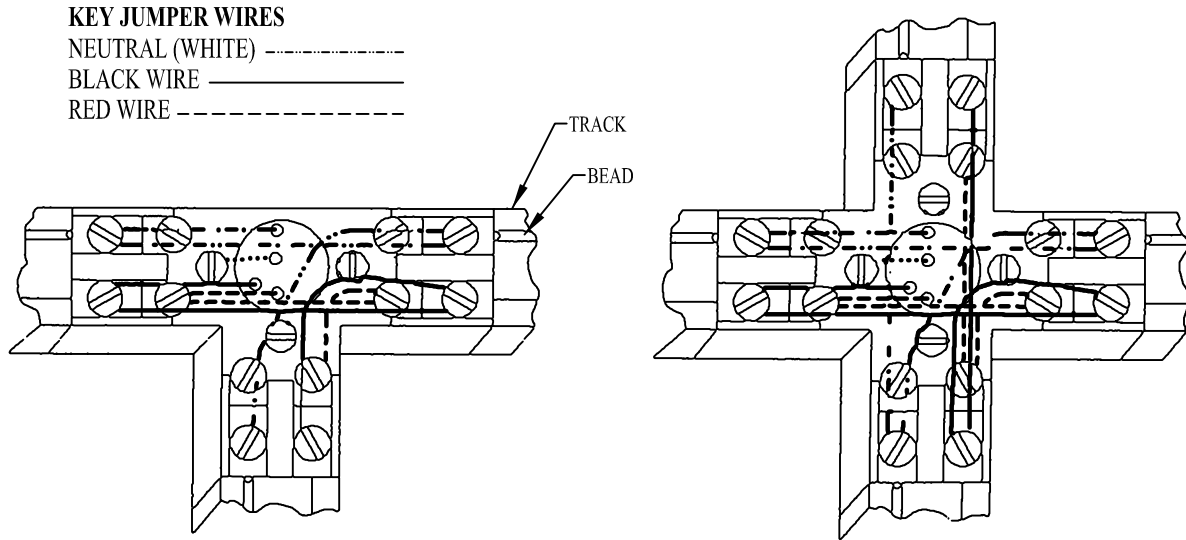
**Advent Lytespan® "T" and "X" Connectors**

**KEY SUPPLY WIRES**

- NEUTRAL (WHITE) -----○
- BLACK WIRE -----○
- RED WIRE -----○
- GROUND .....○

**EXAMPLES OF WIRING FOR "T" AND "X" CONNECTORS**

**SINGLE POWER FEED TO ALL TRACK UNITS**



**B. POWER FEED TO "T" OR "X" CONNECTORS**

Follow the instructions for power feed to LIVE END in the instruction sheet supplied with:  
 END END CANOPY MOUNTING KIT.  
 FLOATING CANOPY MOUNTING KIT.  
 GRID CEILING CANOPY KIT.  
 STEM MOUNTING KIT.  
 FLOATING INVISIBLE FEED MOUNTING KIT.  
 FLOATING CANOPY KIT WITH STAND OFF CLIPS.

Power can also be fed directly into a "T" or "X" CONNECTOR from conduit or cable terminating with an electrical connector with 1/2"-14 thread (see Section E of Instruction Sheet IS:6121).

(2) SINGLE PHASE 3-WIRE 120/240V BRANCH CIRCUITS, WITH GROUNDED NEUTRAL, 60 Hz, 20 AMP MAX PER CIRCUIT.

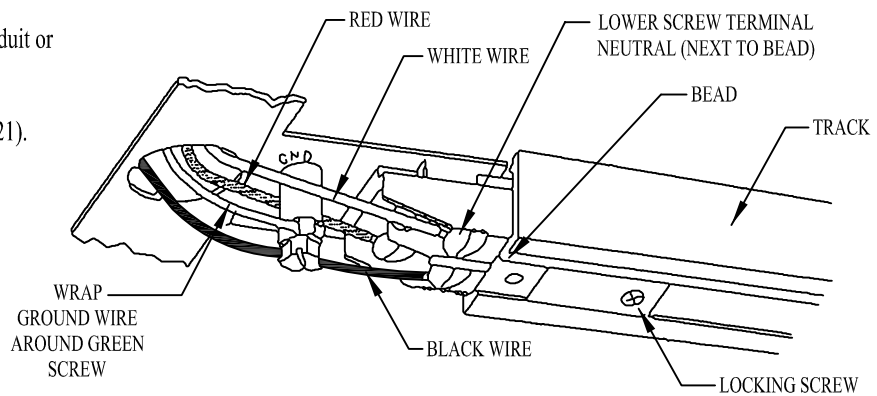
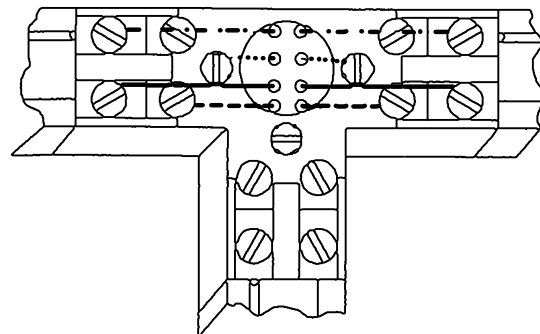


FIG. 4

**LIGHTOLIER**

by **signify**

www.lightolier.com

Signify North America Corporation  
 200 Franklin Square Drive  
 Somerset, NJ 08873, USA  
 Phone: 855-486-2216

Signify Canada Ltd./ Signify Canada Ltée  
 281 Hillmount Road  
 Markham ON, Canada L6C 2S3  
 Phone: 800-668-9008

C0119

**LIGHTOLIER®**