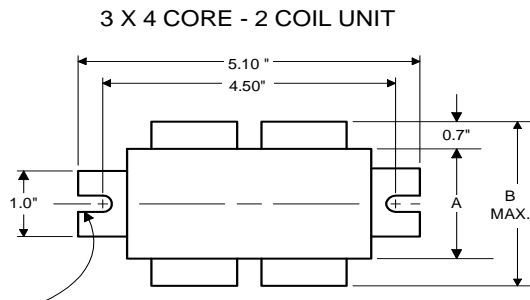


PHILIPS ADVANCE

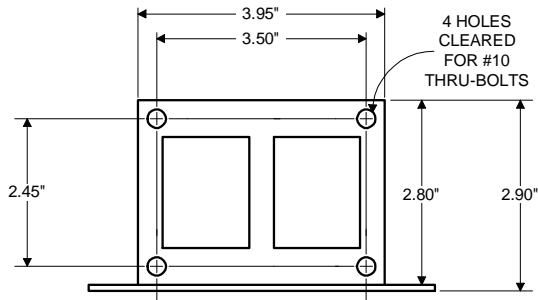
High Pressure Sodium Lamp Ballast

Catalog Number 71A81J3
For 150W S55
60 Hz CWA
Status: Active

DIMENSIONS AND DATA



0.25" WIDE
2 SLOTS



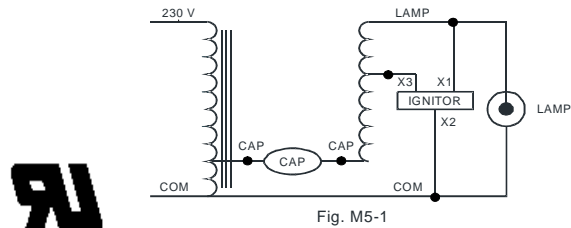
| | | | | | |
|--|--------------|---|---|---|---|
| INPUT VOLTS | 230 | | | | |
| CIRCUIT TYPE | CWA | | | | |
| POWER FACTOR (min) | 90% | | | | |
| REGULATION | | | | | |
| Line Volts | ±10% | | | | |
| Lamp Watts | ±10% | | | | |
| LINE CURRENT (Amps) | | | | | |
| Operating..... | 0.84 | | | | |
| Open Circuit..... | 0.50 | | | | |
| Starting..... | 0.55 | | | | |
| UL TEMPERATURE RATINGS | | | | | |
| Insulation Class | H(180°C) | | | | |
| Coil Temperature Code | 1029 | | | | |
| MIN. AMBIENT STARTING TEMP. | -40F or -40C | | | | |
| NOM. OPEN CIRCUIT VOLTAGE | 110 | | | | |
| INPUT VOLTAGE AT LAMP DROPOUT..... | 159 | | | | |
| INPUT WATTS | 183 | | | | |
| RECOMMENDED FUSE (Amps)..... | 2 | | | | |
| CORE and COIL | | | | | |
| Dimension (A) | 2.80 | | | | |
| Dimension (B) | 4.10 | | | | |
| Weight (lbs.) | 9.4 | | | | |
| Lead Lengths | 12" | | | | |
| CAPACITOR REQUIREMENT | | | | | |
| Microfarads | 55.0 | | | | |
| Volts (min.) | 170 | | | | |
| Fault Current Withstand (amps) | | | | | |
| 60 Hz TEST PROCEDURES (Refer to Advance Test Procedure for HID Ballasts - Form 1270) | | | | | |
| High Potential Test (Volts) | | | | | |
| 1 minute | 2000 | | | | |
| 2 seconds | 2500 | | | | |
| Open Circuit Voltage Test (Volts) | 100-120 | | | | |
| Short-Circuit Current Test (Amps) | | | | | |
| Secondary Current | 3.90-4.80 | | | | |
| Input Current..... | 0.35-0.52 | - | - | - | - |

Capacitor: 7C550P24RA



Capacitance: 55
Dia/Oval Dim: 1.85
Height: 3.7
Temp Rating: 105°C

Wiring Diagram:



Ordering Information

| Order Suffix | Description |
|--------------|-------------|
| | |

Ignitor: LI551-J4



Red (X1)
White (X2)
Blue (X3)

Ballast to Lamp Distance
(BTL) = 10 feet
Temp Rating: 105°C

Data is based upon tests performed by Philips Lighting Electronic N.A. in a controlled environment and representative of relative performance. Actual performance can vary depending on operating conditions. Specifications are subject to change without notice.

Philips Lighting Electronic N.A.

10275 West Higgins Road · Rosemont, IL 60018 · Tel:800-322-2086 Fax:888-432-1882
Customer Support/ Technical Service:800-372-3331 · OEM Support: 866-915-5886

02/21/13