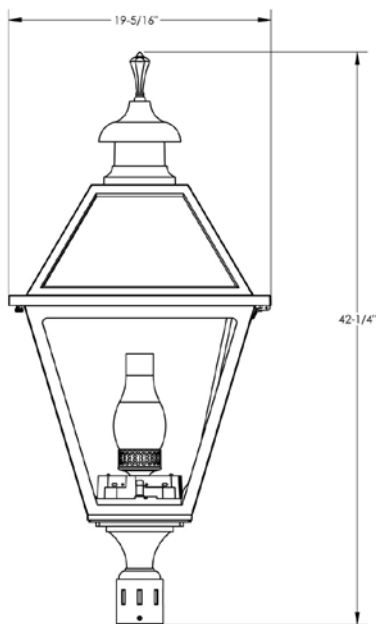


Project: _____
 Location: _____
 Cat.No: _____
 Type: _____
 Lamps: _____ Qty: _____
 Notes: _____



Ordering Guide

Example: VX671 32 A C 3 N N A 3 N A

Product Code	VX671	Savannah LED	
LED	32	32 LED's	*1
	48	48 LED's	*2
	64	64 LED's	*2
	80	80 LED's	*2
Finish	A	Black	
	B	White	
	G	Verde	
	H	Bronze	
	J	Green	
PANELS	C	Clear	
	F	Frosted	
	V	Vertical Ribbed	
Optics	3	Type III	
	5	Type V	
Photo Control	N	None	
	R	Twist-lock Receptacle	
	E	120 VAC Button Eye	
	H	208/240/277 VAC Button Eye	
Color Temperature	N	4000K	
	C	5700K	*3
Voltage	A	120-277 VAC	
	B	347-480 VAC	*4
Drive Current	3	350 mA	
	5	530 mA	
	7	700 mA	
Dimming Control	N	None	
	A	4 Hrs 25% Reduction	
	B	4 Hrs 50% Reduction	
	C	4 Hrs 75% Reduction	
	D	6 Hrs 25% Reduction	
	E	6 Hrs 50% Reduction	
	F	6 Hrs 75% Reduction	
	G	8 Hrs 25% Reduction	
	H	8 Hrs 50% Reduction	
J	8 Hrs 75% Reduction		
Surge Suppression	A	10kV/10kA	

*1 Only available in 120-277 VAC (A)
 *2 Only available with 350mA
 *3 Consult factory for 5700K.
 *4 Dimming not available with 347-480 VAC (B).

Specifications

APPLICATIONS:

This luminaire is the perfect LED solution for traditional street lighting. Other application locations include: residential streets, city streets, campuses and parking lots. This luminaire offers the style of a traditional lantern with today's cutting edge LED technology

LED SPECIFICATIONS:

Refer to IES files for energy consumption and delivered lumens for each option. Based on in-situ thermal testing and data from Philips Lumileds and Philips Advance fixture can be expected to reach 100,000 hours (at >L70 lumen maintenance @ 25°C). The Philips LEDGINE uses Philips Lumileds Luxeon R LEDs. Color temperatures available are ANSI Bins 4000K and 5700K CCT (consult factory for 5700K). Two distributions are available including Type 3 and 5.

VX671 Savannah

MH/HPS Post top

Specifications

ELECTRONIC DRIVER:

The driver included is the Philips Advance XITANIUM LED driver and is available in a 350mA, 530mA and 700mA drive current. Standard driver offers 0-10V dimming capability and universal voltage input from 120-277VAC or 347-480VAC. Input frequency is 50-60Hz and all XITANIUM drivers are RoHS compliant. The driver has <3kV surge suppression built in. Additional 10kV/10kA surge suppressor is included. Programmable dimming 0-10V is optional.

HOUSING:

360 low-copper die-cast aluminum alloy . Hinged roof with stainless steel spring latch. All non-ferrous fasteners prevent corrosion and ensure longer life. Slip Fitter Dimensions: 3" I.D. x 3" deep .

PANELS:

Three panel options. Clear panels are made of an injection molded U.V Stabilized material and include a frosted decorative glass chimney. Vertical Rib panels are U.V. stabilized, injection molded with internal vertical ribs. Frosted Panels are U.V. Stabilized injection molded. All panels have tool-less removal for ease of cleaning.

FINISH:

Thermoset polyester powdercoat is electrostatically applied after a five-stage conversion cleaning process and bonded by heat fusion thermosetting. Laboratory tested for superior weatherability and fade resistance in accordance with ASTM B117 specifications. For larger projects where a custom color is required, contact the factory for more information.

CONTROLS:

Wireless dimming options are also available, contact the factory for details. There are 9 standard factory set dimming schedules available. See specification sheet for details. A custom dimming schedule is available by contacting the factory. Built in dyandimmer does not allow for dimming override features.

CERTIFICATIONS:

ETL Listed to U.S. safety standards for wet locations. cETL listed to Canadian safety standards for wet locations. Manufactured to ISO 9001:2008 Standards. Luminaire photometric testing performed in accordance with IESNA LM-79 guidelines. Photometric .ies files that include "LM79" in the file name are verified by an independent NVLAP accredited lab. LEDs tested by an ISO 17025-2005 accredited lab in accordance with IESNA LM-80 guidelines in compliance with EPA ENERGY STAR, extrapolations in accordance with IESNA TM-21. RoHS compliant LEDs and LED drivers.

WARRANTY:

5 year extended warranty

OPTIONS:

Optional integral surge suppression device tested in accordance with ANSI/IEEE C62.45 per ANSI/IEEE C62.41.2 Scenario I Category C High Exposure 10kV/10kA waveforms for Line-Ground, Line-Neutral and Neutral-Ground. Enclosure for surge suppression device is constructed of high temperature, flameproof material with an 85°C maximum surface temperature rating. The device consists of a thermally protected transient overvoltage circuit and is designed for use with universal voltage ballasts and drivers.

AWARDS & RECOGNITIONS:

Buy American and ARRA Compliant - commercially available off-the-shelf (COTS) product proudly designed and Made in the U.S.A. Listed on the DesignLights™ Consortium (DLC) Qualified Products List (QPL) - see certification letter(s) for details.

Height :

42 1/8" (107cm)

Width:

19 1/4" (49cm)

Max. EPA:

2.0 sq. ft.

Max. Weight:

37.5 lbs

