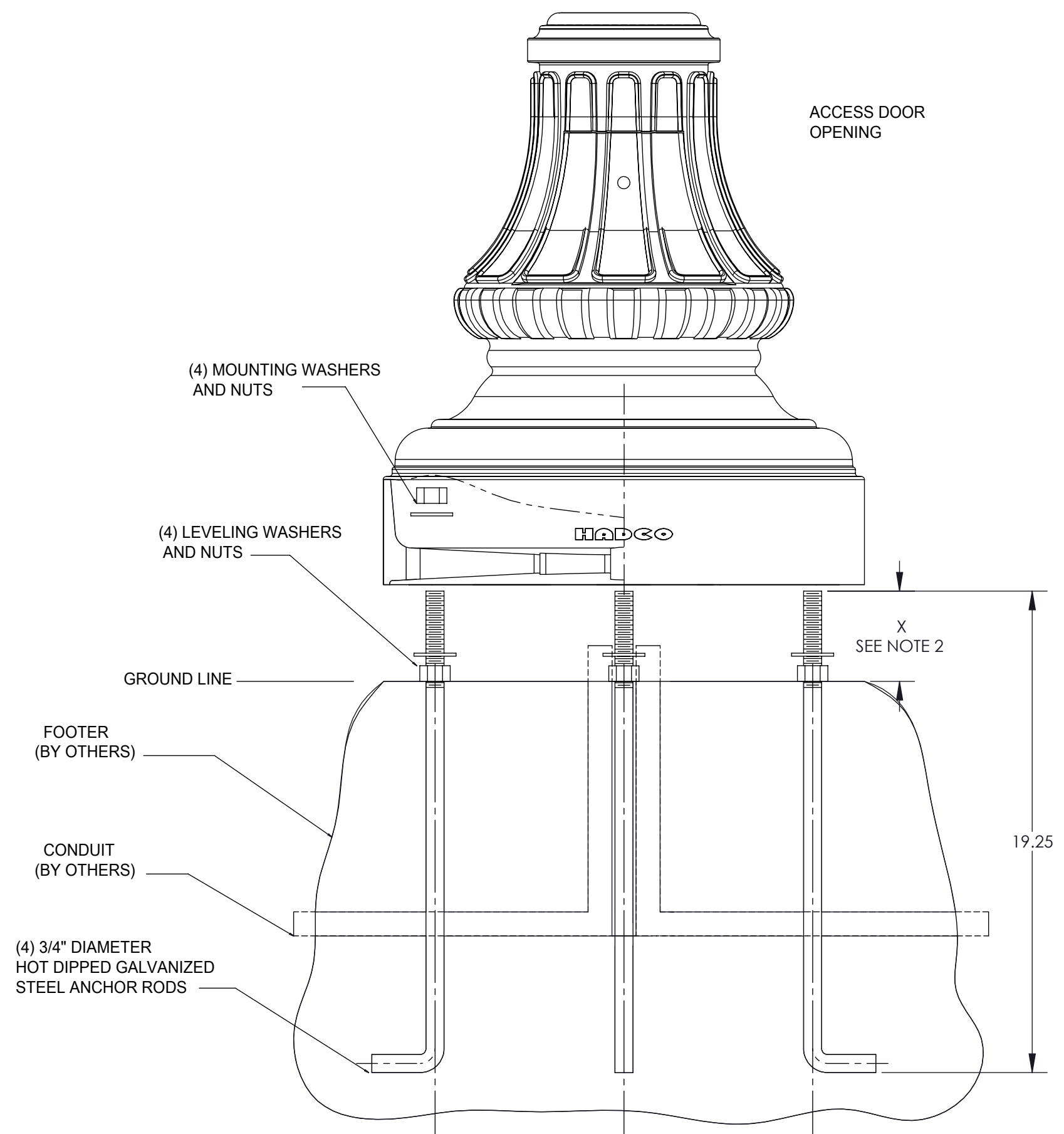


WHD	B	08-039	ALD	10/1/08
WHD	D	09-115	ALD	10/6/09
WHD	E	10-137-006	ARG	3/16/11
APPR	REV	ISO DOC	BY	DATE

HOUSE SIDE ACCESS DOOR



Ø 15.00"

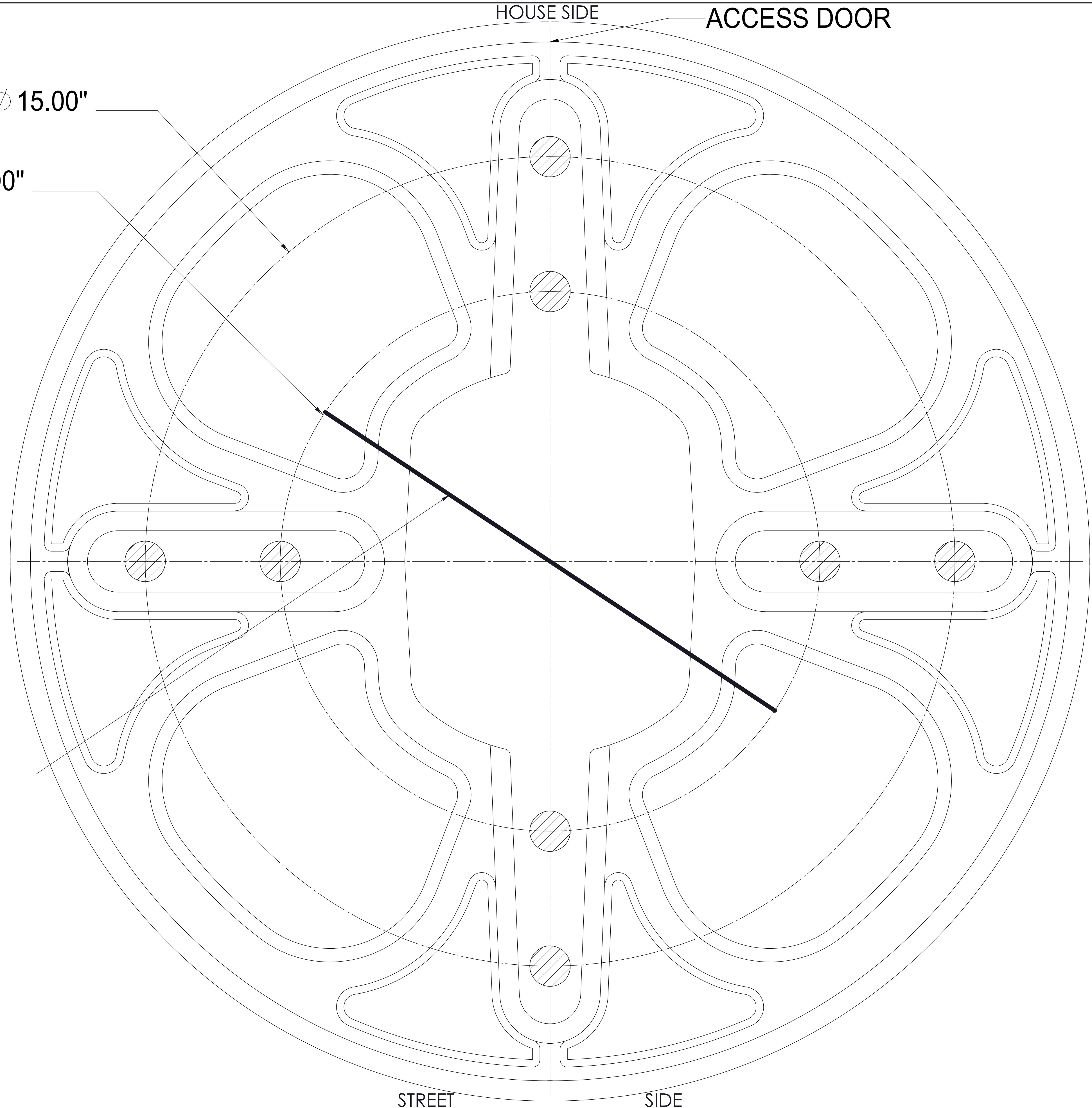
Ø 10.00"

VERIFY BOLD LINE IS 10" LONG

- NOTES:
- SUGGESTED BOLT CIRCLE: 12" DIAMETER
 MAXIMUM BOLT CIRCLE: 15" DIAMETER
 MINIMUM BOLT CIRCLE: 10" DIAMETER
 - PHILIPS STRONGLY RECOMMENDS USING LEVELING NUTS TO MOUNT THE POST BASE. IF FOUNDATION IS NOT LEVEL, INCREASE "X" DIMENSION ACCORDINGLY WHEN USING LEVELING NUTS WITH WASHERS.

 X = 3 1/2" MINIMUM WITH LEVELING NUTS
 X = 2 1/2" MINIMUM WITHOUT LEVELING NUTS
 - IF USING GROUTING TO CONCEAL GAP BETWEEN BASE AND FOUNDATION, ALLOW FOR WATER DRAINAGE.

WARNING
NOT TO SCALE
CONSULT FACTORY FOR
FULL SIZE TEMPLATE.



<p>PHILIPS 100 Craftway, P.O. Box 128 Littlestown, Pennsylvania 17340-0128</p> <p>UNLESS OTHERWISE SPECIFIED: *ALL DIMENSIONS ARE IN INCHES. *ALL THREADS ARE UNC-2B OR UNF-2B AFTER COATING. *ALL THREADS ARE TO BE VERIFIED WITH A THREAD GAGE.</p> <p>* DO NOT SCALE THIS DRAWING *</p>	<p>CONFIDENTIAL: This drawing is confidential and proprietary to Philips and may not be reproduced in whole or in part without the express written consent of Philips. All rights reserved. © 2011 by Philips Electronics.</p>	<p>TITLE: TEMP,CP1619E</p>	
	<p>DRAWN BY: E. ANDERSON DATE: 6/19/07</p>	<p>DRW SIZE: D</p>	<p>MATERIAL: 22 X 34" WHITE BOND PAPER,</p>
	<p>CHECKED BY: B. DORON DATE: 10/6/09</p>		
	<p>APPR BY: E. HADDAD DATE: 6/19/07</p>		
<p>EF-04-01-11 Rev.09 SCALE 1:1 SHEET 1 OF 1</p>	<p>PART NO: T01000808</p>		