

INSTALLATION INSTRUCTIONS

PentaFlood - Accessories

CAUTION: The installation and servicing of these products should be performed by a qualified electrician or service personnel.

WARNING: To avoid electrical shock, **TURN POWER SUPPLY OFF** before installing or servicing this unit. Wire fixtures in accordance with the national electrical code and any applicable local code requirements.

Top / Full Visor: Fig. 1

1. Fill up the notched areas between glass and door frame with RTV silicone as shown.
2. Attach clips between glass and door frame at notches area in frame as shown, ensure clip presses into silicone.

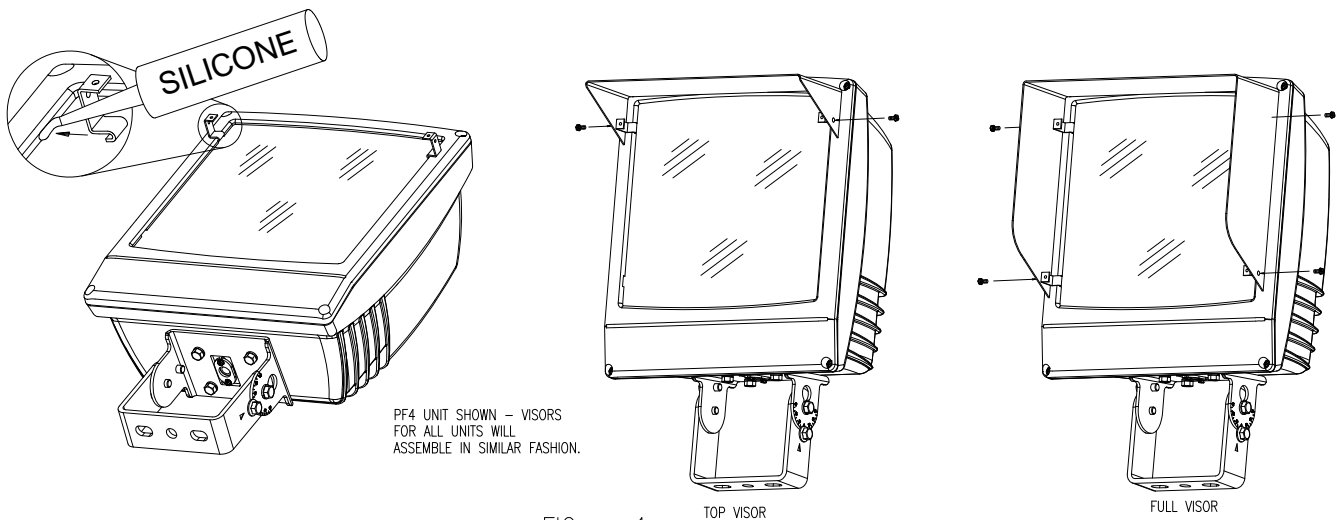


FIG. - 1

3. Assemble visor to clips with the screws provided.

External Louvre: Fig. 2

1. Fill up the notched areas between glass and door frame with RTV silicone as shown.
2. Attach four clips between glass and door frame at notched area in frame as shown, ensure clip presses into silicone.
3. Assemble external louvre to clips with the four screws provided.

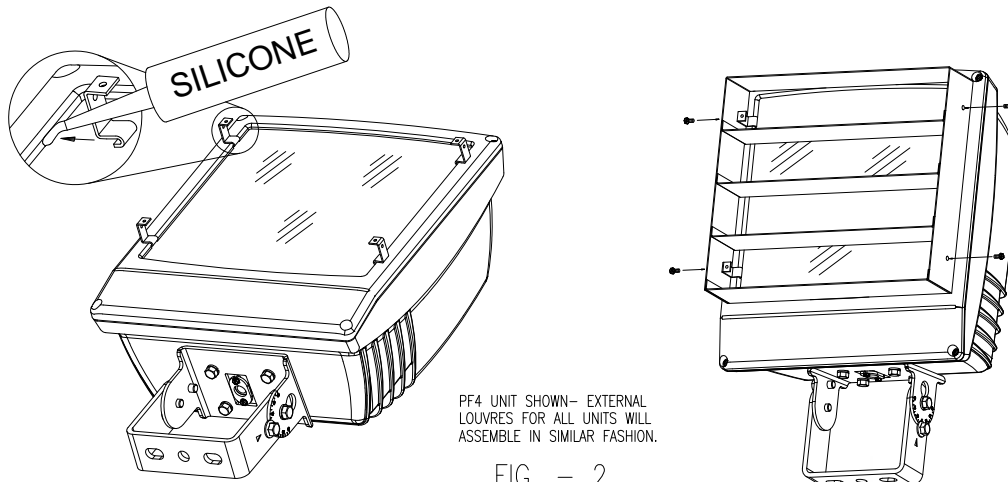


FIG. - 2

INSTALLATION INSTRUCTIONS

PentaFlood – Accessories

Vandal Shield: Fig. 3

1. Fill up the notched areas between glass and door frame with RTV silicone as shown.
2. Attach four clips between glass and door frame at notched area in frame as shown, ensure clip presses into silicone.
3. Remove protective covering from shield and assemble to clips with four screws provided.

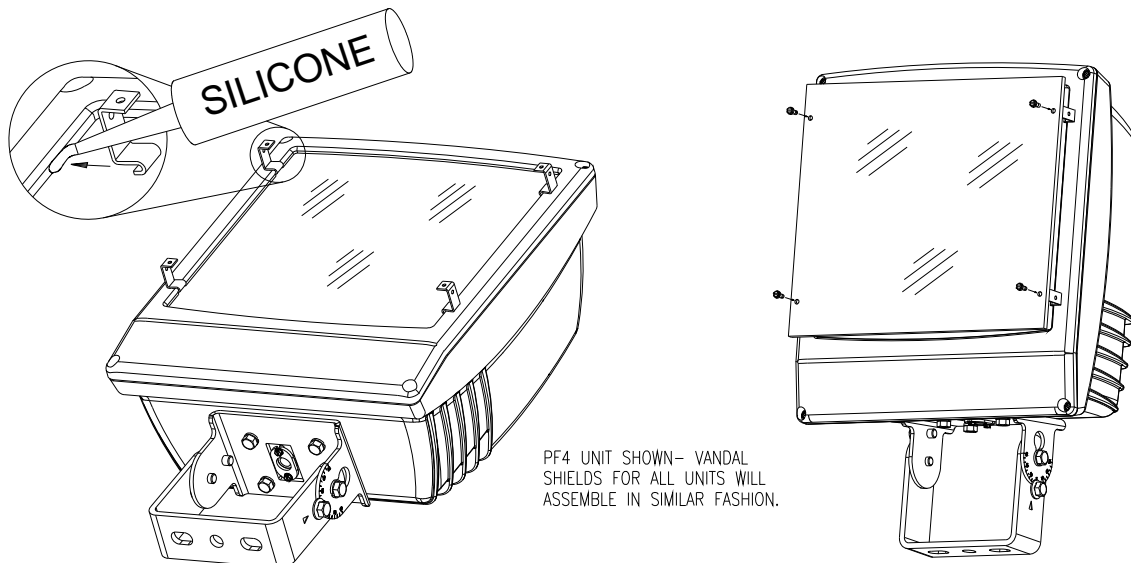


FIG. – 3

Wireguard: Fig. 4

1. Fill up the notched areas between glass and door frame with RTV silicone as shown.
2. Attach four clips between glass and door frame at notched area in frame as shown, ensure clip presses into silicone.
3. Assemble wire guard to clips with the four screws provided.

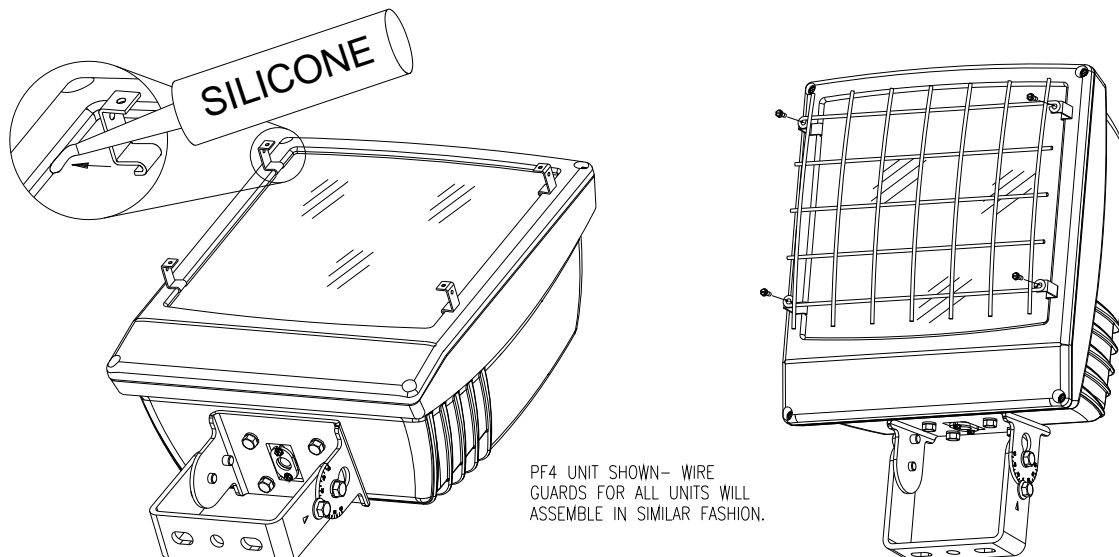


FIG. – 4

