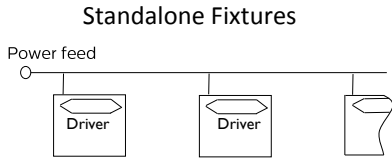
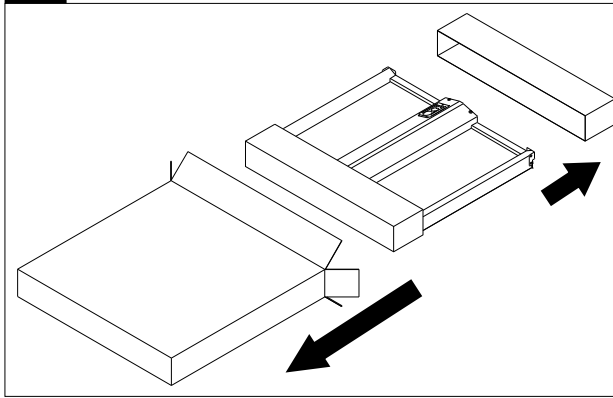


1 Prepare fixtures

Arrange boxed fixtures on the floor in specified mounting locations; remove fixtures from boxes.

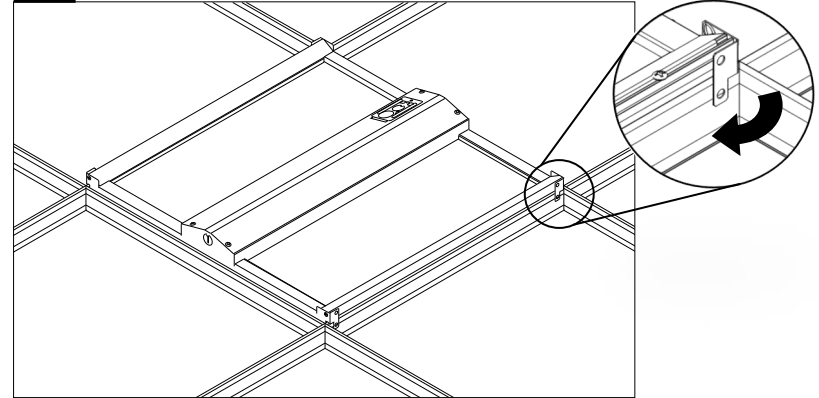


2 Remove from Packaging



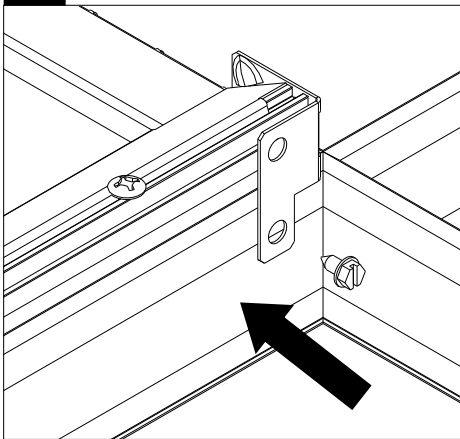
Remove luminaire from packaging, recycle box.

3 Install in ceiling grid



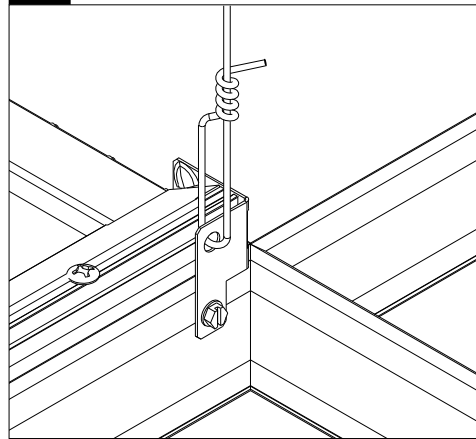
Lay luminaire into T-grid. Bend mounting tabs flush against outside of T-grid.

4 Secure luminaire



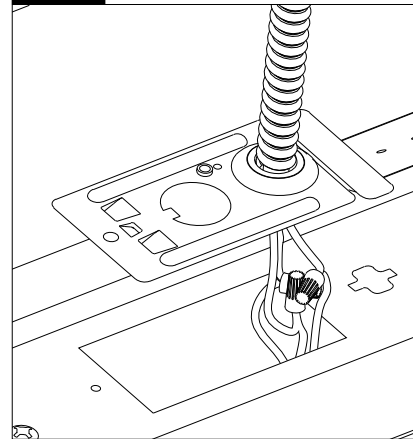
Secure luminaire to T-grid with self drilling 8x1/4" sheet metal screws (supplied by others).

5 Tie off to structure



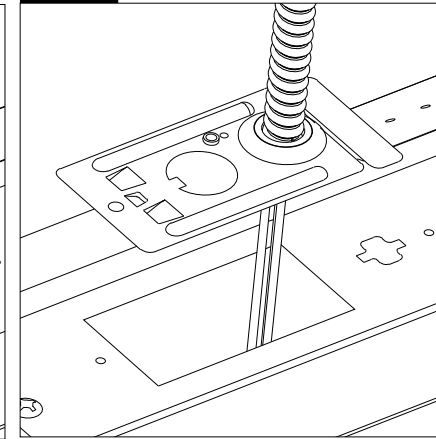
Secure luminaire with grid wire or suitable equivalent per local and national building codes.

6a Standalone wiring



Remove pre-installed wire access plate. Connect power feed to the leads provided. Reinstall wire access plate.

6b Flex Whip (Optional)



Optional Flex Whip is prewired to the fixture. Insert wire access plate into wiring cavity. Complete electrical connection at other end of whip in accordance with local and national building code.

! ATTENTION: Install in accordance with national and local building and electrical codes.