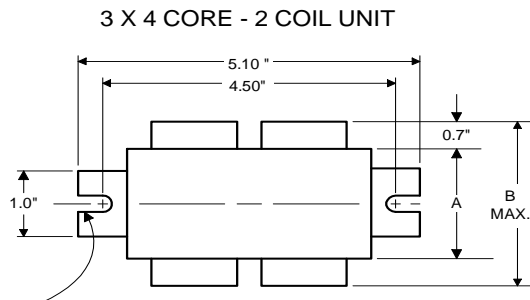


PHILIPS ADVANCE

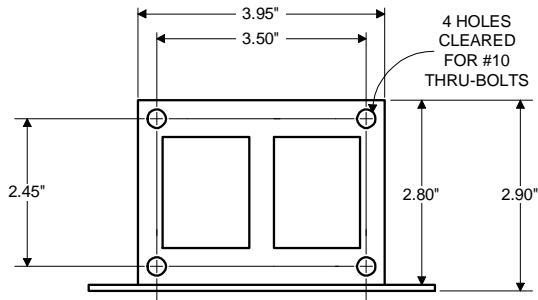
High Pressure Sodium Lamp Ballast

Catalog Number 71A7941
For 70W S62
60 Hz HX-HPF
Status: Active

DIMENSIONS AND DATA

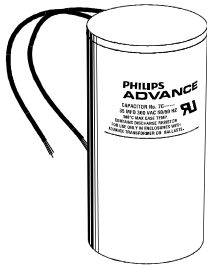


0.25" WIDE
2 SLOTS



INPUT VOLTS	480				
CIRCUIT TYPE	HX-HPF				
POWER FACTOR (min)	90%				
REGULATION					
Line Volts	±5%				
Lamp Watts	WITHIN TRAPEZOID				
LINE CURRENT (Amps)					
Operating.....	0.21				
Open Circuit.....	0.36				
Starting.....	0.21				
UL TEMPERATURE RATINGS					
Insulation Class	H(180°C)				
Coil Temperature Code	1029	A			
MIN. AMBIENT STARTING TEMP.	-40°F or -40°C				
NOM. OPEN CIRCUIT VOLTAGE	120				
INPUT VOLTAGE AT LAMP DROPOUT.....	384				
INPUT WATTS	93				
RECOMMENDED FUSE (Amps).....	2				
CORE and COIL					
Dimension (A)	1.85				
Dimension (B)	3.20				
Weight (lbs.)	6.5				
Lead Lengths	12"				
CAPACITOR REQUIREMENT					
Microfarads	7.0				
Volts (min.)	280				
Fault Current Withstand (amps)					
60 Hz TEST PROCEDURES (Refer to Advance Test Procedure for HID Ballasts - Form 1270)					
High Potential Test (Volts)					
1 minute	2000				
2 seconds	2500				
Open Circuit Voltage Test (Volts)	110-130				
Short-Circuit Current Test (Amps)					
Secondary Current	1.80-2.20				
Input Current.....	0.15-0.25	-	-	-	-

Capacitor: 7C070L30RA



Capacitance: 7
Dia/Oval Dim: 1.25
Height: 2.75
Temp Rating: 105°C

Wiring Diagram:

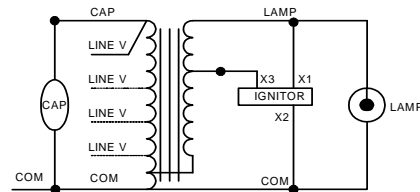
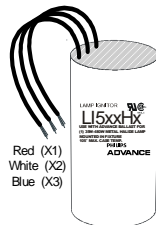


Fig. K

Ordering Information

Order Suffix	Description

Ignitor: LI551-H4



Red (X1)
White (X2)
Blue (X3)

Ballast to Lamp Distance
(BTL) = 2 feet
Temp Rating: 105°C

Data is based upon tests performed by Philips Lighting Electronic N.A. in a controlled environment and representative of relative performance. Actual performance can vary depending on operating conditions. Specifications are subject to change without notice.

Philips Lighting Electronic N.A.

10275 West Higgins Road · Rosemont, IL 60018 · Tel:800-322-2086 Fax:888-432-1882
Customer Support/ Technical Service:800-372-3331 · OEM Support: 866-915-5886

08/02/13