

Day-Brite

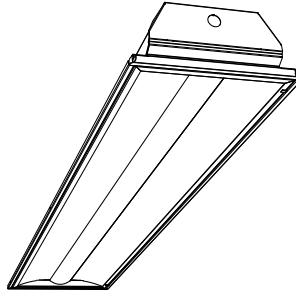
CFI

by  Signify

Recessed

SofTrace 1x4

T5, T5HO, or T8



Project: _____
 Location: _____
 Cat.No: _____
 Type: _____
 Lamps: _____ Qty: _____
 Notes: _____

The Day-Brite / CFI SofTrace recessed brings new meaning to the concept of combining style with performance. Equipped with a fresh streamlined design and innovative technology, SofTrace provides a huge step forward for the lighting industry. The sleek profile design belies the true “horsepower under the hood”. This architectural product now delivers leading edge performance for the most environmentally conscious user.

Ordering guide

Example: 1STG132-D-UNV-1/1-EBHHE-LPT835HL

Width	Family	Ceiling Type	No. of Lamps (not included)	Lamp Type	Diffusers	Voltage	Ballast Configuration	Ballast Type	Options
1	ST			—	D —	—	—	—	
1 1'	ST Softrace	G Grid F Flange Z Z Spline / Modular	1 2 (28WT5 only)	28 28WT5 (46") 32 32WT8 (48") 54HO 54WT5HO (46")	D Diffuse (Ribbed)	120 120V 277 277V 347 347V UNV Universal Voltage 120-277V	1/1 One 1 lamp ballast 1/2 One 2 lamp ballast	EB95 T5 electronic ballast, .95 ballast factor EB115 T5 electronic ballast, 1.15 ballast factor EBS095 T5 electronic step dimming ballast, .95 ballast factor (2 lamp only) EBS0115 T5 electronic step dimming ballast, 1.15 ballast factor EB Electronic ballast, < 10% THD std. ballast factor EB10R T8 electronic ballast, <10% THD, program rapid start EBS0 T8 electronic step dimming ballast, .88 ballast factor EBHE T8 electronic ballast, high efficiency std. ballast factor EBLHE T8 electronic ballast, high efficiency low ballast factor EBHHE T8 electronic ballast, high efficiency high ballast factor EBD7 Advance Mark 7 dimming ballast, 0-10V (low voltage) control EBDX Advance Mark 10 dimming ballast, phase control EBD Electronic dimming ballast, customer specified	F1 3/8" flex, 3 wire 18 gauge 6' F2 3/8" flex, 4 wire 18 gauge 6' F2/5W 3/8" flex, 5 wire 18 gauge 6' E1 B100 emerg. ballast, T8, 350-450 lumens, 120/277V E1CAN B100-CAN emerg. ballast, Canada market, T8 350-450 lumens, 120/347V E7 B60 emerg. ballast, T8, 600-700 lumens, 120/277V E5 B50 emerg. ballast, U.S. or Canada market, T8, 1100-1400 lumens, UNV E5CAN B50-CAN emerg. ballast, Canada market, T8, 1100-1400 lumens, 120/347V E5ST B50ST emerg. ballast w/self test, U.S. or Canada market, T8, 1100-1400 lumens, UNV E7LP LP550 emerg. ballast T5/T5HO, 430-700 lumens, 120/277V E6LP LP600 emerg. ballast U.S. or Canada market, T5/T5HO, 750-1325 lumens, 120/277V GLR Fusing, fast blow LPT830HL Installed T8/T5 hi lumen lamps, 80+ CRI, 3000K LPT835HL Installed T8/T5 hi lumen lamps, 80+ CRI, 3500K LPT841HL Installed T8/T5 hi lumen lamps, 80+ CRI, 4100K LPT830 Installed T8/T5/T5HO lamps, 80+ CRI, 3000K LPT835 Installed T8/T5/T5HO lamps, 80+ CRI, 3500K LPT841 Installed T8/T5/T5HO lamps, 80+ CRI, 4100K PAF Housing painted after fabrication CHIC Chicago plenum rated IC Suitable for Type-IC (insulated ceiling)

Accessories (order separately)

- **FMA14** 1'x4' "F" mounting frame for NEMA "F" mounting
- **GCC** Grid clip pack (set of 4)



1ST SofTrace recessed 1x4

T5, T5HO, or T8

Application

- Subtle enclosure curves provide architectural styling to complement any space.
- Smooth brightness across the face of the luminaire prevents glare and provides excellent visual comfort.
- Directs a controlled amount of light to higher angles to eliminate “cave effect” without creating glare.
- Ideal for modern offices, schools and retail environments.
- Excellent optical efficiency and luminaire efficacy provide significant energy savings.
- Many ballast/lamp systems are available, providing flexibility to tailor the luminaire to specific applications.
- Step dimming ballasts can be switched to less than 50% input power for energy savings to meet most energy codes while maintaining symmetrical illumination.
- Specific models are available for Grid, Flange, Z-spline/ Modular, or Screw Slot ceiling systems.

Construction/Finish

- T-bar grid clips are not integral to the luminaire and must be ordered separately.
- K.O. in luminaire ends for thru wiring or conduit entry in shallow plenums.

Electrical

- cULus listed for damp locations.
- Emergency ballasts can be incorporated.
- Systems are available offering electrical system efficacy ratings up to 100 Lumens/Watt.
- Total luminaire efficacy as high as 82 LPW.

Enclosure

- Center section is flush with outer panels, eliminating the dirt and debris collection typical of suspended “baskets.”
- One-piece enclosure hinges down as an assembly for easy access to lamps and ballast from below without tools.
- T-hinges provide secure retention of enclosure and eliminate non-captive parts to hold during servicing.
- Guide-post spring loaded latches allow easy opening and closing of the enclosure.
- Choice of center sections includes diffuse acrylic or round perforated steel with overlay.

Energy Data

Lamp Type	Ballast Type	Input Power (120/277V)	Electrical System Lumens/Watt	
			Std. Lamps*	Hi-Lumen Lamps
1 Lamp 28	EB EBS115@hi (@lo)	33W / 33W 38W / 38W (19W/ 19W)	91	96
			88 (66)	92 (69)
1 Lamp 32	EB EB10R EBLHE EBHHE EBS115@hi (@lo)	31W / 31W 31W / 30W 29W / 29W 41W / 41W 29W / 29W (14W / 14W)	79	88
			79	88
			87	96
			82	91
			85 (60)	94 (66)
1 Lamp 54HO	EB	63W / 62 W	82	–
2 Lamp 28	EB95 EBS115@hi (@lo) EB115 EBS115@hi (@lo) EB	60W / 58W 60W / 58W (28W / 28W) 72W / 71W 72W / 71W (35W / 35W) 66W / 64W	95	100
			95 (73)	100 (74)
			94	99
			94 (80)	99 (78)
			94	99

*Standard Lamp T8 values assume 70+CRI 32W lamp. 80+CRI lamps or energy savings lamps are also available.

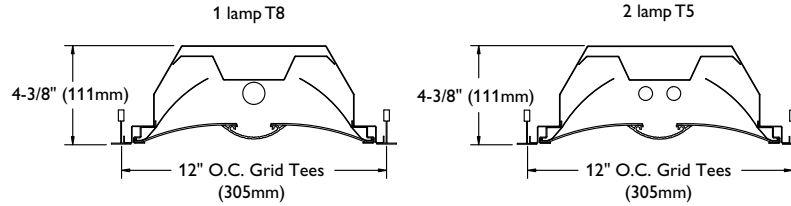


Some luminaires use fluorescent or high intensity discharge (HID) lamps that contain small amounts of mercury. Such lamps are labeled, “Contain Mercury” and/or the symbol “HG”. Lamps that contain mercury must be disposed of in accordance with local requirements. Information regarding lamp recycling and disposal can be found at www.lamprecycle.org

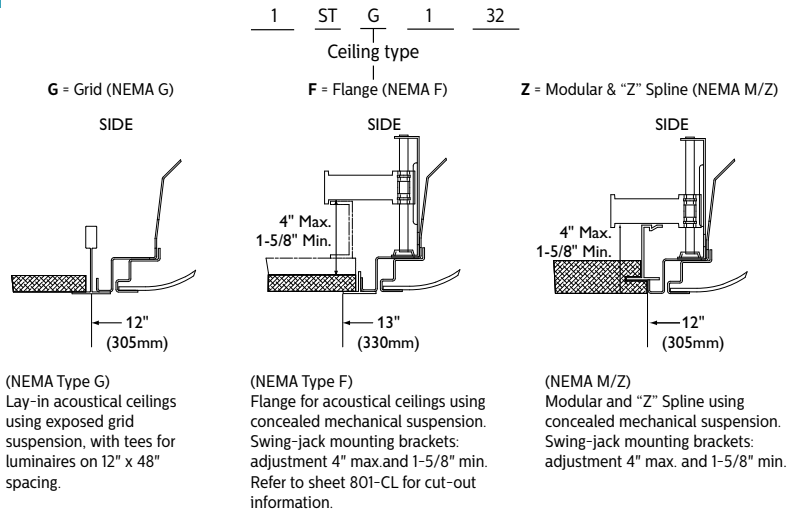
1ST SofTrace recessed 1x4

T5, T5HO, or T8

Dimensions



Ceiling configuration



Photometry

ST 1x4 1 Lamp T8 Diffuse

Efficiency – 80.5%

LER – 55

TER – 47

Catalog No. 1STG132-D-1/1-EB Test No. 27095 S/MH 1.2 Lamp Type F32T8 Lumens/Lamp 2850 Ballast Factor 0.88 Input Watts 37 Comparative yearly lighting energy cost per 1000 lumens – \$4.36 based on 3000 hrs. and \$.08 pwr KWH. The photometric results were obtained in the Day-Brite laboratory which is NVLAP accredited by the National Institute of Standards and Technology.	Candlepower				Light Distribution																																																																																												
	<table border="1"> <thead> <tr> <th>Angle</th> <th>End</th> <th>45</th> <th>Cross</th> </tr> </thead> <tbody> <tr><td>0</td><td>875</td><td>875</td><td>875</td></tr> <tr><td>5</td><td>874</td><td>871</td><td>865</td></tr> <tr><td>10</td><td>861</td><td>853</td><td>841</td></tr> <tr><td>15</td><td>841</td><td>825</td><td>810</td></tr> <tr><td>20</td><td>811</td><td>789</td><td>775</td></tr> <tr><td>25</td><td>774</td><td>748</td><td>737</td></tr> <tr><td>30</td><td>727</td><td>701</td><td>702</td></tr> <tr><td>35</td><td>673</td><td>654</td><td>667</td></tr> <tr><td>40</td><td>611</td><td>602</td><td>623</td></tr> <tr><td>45</td><td>543</td><td>547</td><td>570</td></tr> <tr><td>50</td><td>472</td><td>486</td><td>504</td></tr> <tr><td>55</td><td>399</td><td>414</td><td>430</td></tr> <tr><td>60</td><td>323</td><td>340</td><td>348</td></tr> <tr><td>65</td><td>248</td><td>265</td><td>267</td></tr> <tr><td>70</td><td>182</td><td>195</td><td>192</td></tr> <tr><td>75</td><td>121</td><td>132</td><td>123</td></tr> <tr><td>80</td><td>69</td><td>73</td><td>63</td></tr> <tr><td>85</td><td>30</td><td>28</td><td>23</td></tr> </tbody> </table>	Angle	End	45	Cross	0	875	875	875	5	874	871	865	10	861	853	841	15	841	825	810	20	811	789	775	25	774	748	737	30	727	701	702	35	673	654	667	40	611	602	623	45	543	547	570	50	472	486	504	55	399	414	430	60	323	340	348	65	248	265	267	70	182	195	192	75	121	132	123	80	69	73	63	85	30	28	23	<table border="1"> <thead> <tr> <th>Degrees</th> <th>Lumens</th> <th>% Lamp</th> <th>% Luminaire</th> </tr> </thead> <tbody> <tr><td>0-30</td><td>662</td><td>23.2</td><td>28.8</td></tr> <tr><td>0-40</td><td>1076</td><td>37.7</td><td>46.9</td></tr> <tr><td>0-60</td><td>1869</td><td>65.6</td><td>81.5</td></tr> <tr><td>0-90</td><td>2293</td><td>80.5</td><td>100.0</td></tr> </tbody> </table>	Degrees	Lumens	% Lamp	% Luminaire	0-30	662	23.2	28.8	0-40	1076	37.7	46.9	0-60	1869	65.6	81.5	0-90	2293	80.5
Angle	End	45	Cross																																																																																														
0	875	875	875																																																																																														
5	874	871	865																																																																																														
10	861	853	841																																																																																														
15	841	825	810																																																																																														
20	811	789	775																																																																																														
25	774	748	737																																																																																														
30	727	701	702																																																																																														
35	673	654	667																																																																																														
40	611	602	623																																																																																														
45	543	547	570																																																																																														
50	472	486	504																																																																																														
55	399	414	430																																																																																														
60	323	340	348																																																																																														
65	248	265	267																																																																																														
70	182	195	192																																																																																														
75	121	132	123																																																																																														
80	69	73	63																																																																																														
85	30	28	23																																																																																														
Degrees	Lumens	% Lamp	% Luminaire																																																																																														
0-30	662	23.2	28.8																																																																																														
0-40	1076	37.7	46.9																																																																																														
0-60	1869	65.6	81.5																																																																																														
0-90	2293	80.5	100.0																																																																																														
Coefficients of Utilization																																																																																																	
EFFECTIVE FLOOR CAVITY REFLECTANCE 20 PER (pfc=0.20)																																																																																																	
pcc	80			70			50																																																																																										
pw	70	50	30	70	50	30	50	30																																																																																									
RCR																																																																																																	
0	95	95	95	93	93	93	89	89																																																																																									
1	88	83	81	85	81	79	79	76																																																																																									
2	80	73	68	78	71	67	68	65																																																																																									
3	72	65	57	70	64	57	60	56																																																																																									
4	67	57	51	65	56	50	55	48																																																																																									
5	61	52	44	59	51	44	48	42																																																																																									
6	56	46	39	56	46	39	44	38																																																																																									
7	53	41	34	52	41	34	40	34																																																																																									
8	48	39	32	47	38	32	36	30																																																																																									
9	46	34	28	45	34	28	34	28																																																																																									
10	42	33	26	41	32	26	30	26																																																																																									

1ST SofTrace recessed 1x4

T5, T5HO, or T8

Photometry

ST 1x4 1 Lamp T5 Diffuse

Efficiency – 93.0%

LER – 71

TER – 62

Catalog No. 1STG128-D-1/1-EB Test No. 27091 S/MH 1.2 Lamp Type F28T5 Lumens/Lamp 2600 Ballast Factor 1.00 Input Watts 34 Comparative yearly lighting energy cost per 1000 lumens – \$3.38 based on 3000 hrs. and \$.08 pwr KWH. The photometric results were obtained in the Day-Brite laboratory which is NVLAP accredited by the National Institute of Standards and Technology.	Candlepower				Light Distribution										
	Angle	End	45	Cross	Degrees	Lumens	% Lamp	% Luminaire							
0	936	936	936	0-30	703	27.0	29.1								
5	928	927	924	0-40	1138	43.8	47.1								
10	917	911	902	0-60	1971	75.8	81.5								
15	897	881	866	0-90	2418	93.0	100.0								
20	864	839	821	Coefficients of Utilization											
25	823	794	777	EFFECTIVE FLOOR CAVITY REFLECTANCE 20 PER (pfc=0.20)											
30	772	741	735	pcc	80			70		50					
35	712	687	696	pw	70	50	30	70	50	30	50	30			
40	644	631	654	RCR											
45	572	572	602	0	111	111	111	108	108	108	103	103			
50	495	508	535	1	102	96	93	98	94	92	91	88			
55	415	435	457	2	93	84	79	90	82	78	80	75			
60	334	359	373	3	84	75	68	81	73	67	70	65			
65	257	278	286	4	78	67	58	75	65	57	63	56			
70	188	206	207	5	70	59	51	68	58	51	56	50			
75	123	138	131	6	66	54	46	64	53	45	51	44			
80	71	76	66	7	60	48	40	59	47	40	46	40			
85	30	28	25	8	56	45	36	56	44	36	42	35			
				9	53	40	33	52	40	33	39	33			
				10	50	38	30	48	36	29	35	29			

ST 1x4 2 Lamp T5 Diffuse

Efficiency – 81.9%

LER – 71

TER – 62

Catalog No. 1STG228-D-1/2-EB Test No. 27104 S/MH 1.3 Lamp Type F28T5 Lumens/Lamp 2600 Ballast Factor 1.00 Input Watts 60 Comparative yearly lighting energy cost per 1000 lumens – \$3.38 based on 3000 hrs. and \$.08 pwr KWH. The photometric results were obtained in the Day-Brite laboratory which is NVLAP accredited by the National Institute of Standards and Technology.	Candlepower				Light Distribution										
	Angle	End	45	Cross	Degrees	Lumens	% Lamp	% Luminaire							
0	1552	1552	1552	0-30	1214	23.3	28.5								
5	1545	1550	1533	0-40	1996	38.4	46.9								
10	1526	1533	1518	0-60	3473	66.8	81.6								
15	1490	1498	1491	0-90	4257	81.9	100.0								
20	1438	1457	1458	Coefficients of Utilization											
25	1374	1401	1417	EFFECTIVE FLOOR CAVITY REFLECTANCE 20 PER (pfc=0.20)											
30	1296	1334	1366	pcc	80			70		50					
35	1199	1257	1295	pw	70	50	30	70	50	30	50	30			
40	1091	1163	1197	RCR											
45	970	1047	1073	0	96	96	96	94	94	94	91	91			
50	843	916	935	1	89	85	81	86	83	81	80	78			
55	710	779	781	2	81	75	69	79	72	68	70	66			
60	577	631	631	3	73	66	58	71	65	58	61	56			
65	445	490	487	4	68	58	52	66	57	51	55	50			
70	323	360	355	5	63	52	45	60	51	45	50	44			
75	217	242	227	6	57	46	40	56	46	40	45	39			
80	125	139	120	7	54	42	35	52	41	34	40	34			
85	53	52	48	8	50	39	32	48	39	32	36	30			
				9	46	35	28	46	34	28	34	28			
				10	44	33	27	42	33	27	32	26			

ST 1x4 1 Lamp T8

Efficiency – 72.1%

LER – 49

TER – 43

Catalog No. 1STG132-PMW-1/1-EB Test No. 27096 S/MH 1.4 Lamp Type F32T8 Lumens/Lamp 2850 Ballast Factor .88 Input Watts 37 Comparative yearly lighting energy cost per 1000 lumens – \$4.90 based on 3000 hrs. and \$.08 pwr KWH. The photometric results were obtained in the Day-Brite laboratory which is NVLAP accredited by the National Institute of Standards and Technology.	Candlepower				Light Distribution										
	Angle	End	45	Cross	Degrees	Lumens	% Lamp	% Luminaire							
0	697	697	697	0-30	556	19.5	27.0								
5	696	696	692	0-40	928	32.6	45.1								
10	686	689	689	0-60	1667	58.5	81.1								
15	671	678	683	0-90	2055	72.1	100.0								
20	649	663	677	Coefficients of Utilization											
25	622	645	670	EFFECTIVE FLOOR CAVITY REFLECTANCE 20 PER (pfc=0.20)											
30	589	623	658	pcc	80			70		50					
35	551	595	639	pw	70	50	30	70	50	30	50	30			
40	505	560	606	RCR											
45	456	516	557	0	85	85	85	83	83	83	80	80			
50	400	460	495	1	79	75	71	77	73	70	70	68			
55	341	396	421	2	71	66	60	69	64	59	61	57			
60	277	323	345	3	65	57	52	64	56	51	55	50			
65	216	252	265	4	59	51	45	57	50	44	47	42			
70	158	183	187	5	55	46	39	53	45	39	42	38			
75	104	118	105	6	51	40	34	48	40	34	39	34			
80	61	56	48	7	46	36	30	46	36	30	34	29			
85	26	18	17	8	44	34	28	42	33	28	32	27			
				9	40	30	25	40	30	25	29	25			
				10	38	28	23	36	28	23	28	22			

1ST SofTrace recessed 1x4

T5, T5HO, or T8

Photometry

ST 1x4 1 Lamp T5

Efficiency – 82.3%

LER – 63

TER – 54

Catalog No. 1STG128-PMW-1/1-EB Test No. 27090 S/MH 1.4 Lamp Type F28T5 Lumens/Lamp 2600 Ballast Factor 1.00 Input Watts 34 Comparative yearly lighting energy cost per 1000 lumens – \$3.81 based on 3000 hrs. and \$.08 pwr KWH. The photometric results were obtained in the Day-Brite laboratory which is NVLAP accredited by the National Institute of Standards and Technology.	Candlepower				Light Distribution																																																																																																																									
	<table border="1"> <thead> <tr> <th>Angle</th> <th>End</th> <th>45</th> <th>Cross</th> </tr> </thead> <tbody> <tr><td>0</td><td>9711</td><td>711</td><td>711</td></tr> <tr><td>5</td><td>711</td><td>710</td><td>707</td></tr> <tr><td>10</td><td>701</td><td>704</td><td>705</td></tr> <tr><td>15</td><td>684</td><td>694</td><td>702</td></tr> <tr><td>20</td><td>662</td><td>680</td><td>697</td></tr> <tr><td>25</td><td>634</td><td>663</td><td>691</td></tr> <tr><td>30</td><td>601</td><td>641</td><td>682</td></tr> <tr><td>35</td><td>558</td><td>613</td><td>664</td></tr> <tr><td>40</td><td>516</td><td>583</td><td>639</td></tr> <tr><td>45</td><td>463</td><td>537</td><td>594</td></tr> <tr><td>50</td><td>410</td><td>484</td><td>532</td></tr> <tr><td>55</td><td>349</td><td>418</td><td>456</td></tr> <tr><td>60</td><td>284</td><td>343</td><td>374</td></tr> <tr><td>65</td><td>222</td><td>270</td><td>287</td></tr> <tr><td>70</td><td>164</td><td>195</td><td>203</td></tr> <tr><td>75</td><td>109</td><td>127</td><td>114</td></tr> <tr><td>80</td><td>63</td><td>61</td><td>49</td></tr> <tr><td>85</td><td>26</td><td>19</td><td>17</td></tr> </tbody> </table>	Angle	End	45	Cross	0	9711	711	711	5	711	710	707	10	701	704	705	15	684	694	702	20	662	680	697	25	634	663	691	30	601	641	682	35	558	613	664	40	516	583	639	45	463	537	594	50	410	484	532	55	349	418	456	60	284	343	374	65	222	270	287	70	164	195	203	75	109	127	114	80	63	61	49	85	26	19	17	<table border="1"> <thead> <tr> <th>Degrees</th> <th>Lumens</th> <th>% Lamp</th> <th>% Luminaire</th> </tr> </thead> <tbody> <tr><td>0-30</td><td>569</td><td>21.9</td><td>26.6</td></tr> <tr><td>0-40</td><td>953</td><td>36.7</td><td>44.5</td></tr> <tr><td>0-60</td><td>1728</td><td>66.5</td><td>80.8</td></tr> <tr><td>0-90</td><td>2140</td><td>82.3</td><td>100.0</td></tr> </tbody> </table>	Degrees	Lumens	% Lamp	% Luminaire	0-30	569	21.9	26.6	0-40	953	36.7	44.5	0-60	1728	66.5	80.8	0-90	2140	82.3	100.0																												
Angle	End	45	Cross																																																																																																																											
0	9711	711	711																																																																																																																											
5	711	710	707																																																																																																																											
10	701	704	705																																																																																																																											
15	684	694	702																																																																																																																											
20	662	680	697																																																																																																																											
25	634	663	691																																																																																																																											
30	601	641	682																																																																																																																											
35	558	613	664																																																																																																																											
40	516	583	639																																																																																																																											
45	463	537	594																																																																																																																											
50	410	484	532																																																																																																																											
55	349	418	456																																																																																																																											
60	284	343	374																																																																																																																											
65	222	270	287																																																																																																																											
70	164	195	203																																																																																																																											
75	109	127	114																																																																																																																											
80	63	61	49																																																																																																																											
85	26	19	17																																																																																																																											
Degrees	Lumens	% Lamp	% Luminaire																																																																																																																											
0-30	569	21.9	26.6																																																																																																																											
0-40	953	36.7	44.5																																																																																																																											
0-60	1728	66.5	80.8																																																																																																																											
0-90	2140	82.3	100.0																																																																																																																											
Coefficients of Utilization EFFECTIVE FLOOR CAVITY REFLECTANCE 20 PER (pfc=0.20)					<table border="1"> <thead> <tr> <th rowspan="2">pcc</th> <th colspan="3">80</th> <th colspan="3">70</th> <th colspan="3">50</th> </tr> <tr> <th>70</th> <th>50</th> <th>30</th> <th>70</th> <th>50</th> <th>30</th> <th>50</th> <th>30</th> </tr> </thead> <tbody> <tr><td>0</td><td>97</td><td>97</td><td>97</td><td>95</td><td>95</td><td>95</td><td>91</td><td>91</td></tr> <tr><td>1</td><td>90</td><td>85</td><td>82</td><td>88</td><td>83</td><td>81</td><td>81</td><td>78</td></tr> <tr><td>2</td><td>81</td><td>75</td><td>68</td><td>80</td><td>72</td><td>68</td><td>70</td><td>66</td></tr> <tr><td>3</td><td>73</td><td>66</td><td>58</td><td>71</td><td>65</td><td>57</td><td>61</td><td>56</td></tr> <tr><td>4</td><td>68</td><td>57</td><td>51</td><td>66</td><td>56</td><td>50</td><td>55</td><td>48</td></tr> <tr><td>5</td><td>63</td><td>52</td><td>45</td><td>60</td><td>51</td><td>44</td><td>48</td><td>42</td></tr> <tr><td>6</td><td>57</td><td>46</td><td>39</td><td>56</td><td>46</td><td>39</td><td>44</td><td>38</td></tr> <tr><td>7</td><td>53</td><td>41</td><td>34</td><td>52</td><td>41</td><td>34</td><td>40</td><td>34</td></tr> <tr><td>8</td><td>50</td><td>38</td><td>30</td><td>47</td><td>38</td><td>30</td><td>36</td><td>30</td></tr> <tr><td>9</td><td>46</td><td>34</td><td>28</td><td>45</td><td>34</td><td>28</td><td>34</td><td>28</td></tr> <tr><td>10</td><td>42</td><td>32</td><td>26</td><td>41</td><td>32</td><td>26</td><td>30</td><td>25</td></tr> </tbody> </table>					pcc	80			70			50			70	50	30	70	50	30	50	30	0	97	97	97	95	95	95	91	91	1	90	85	82	88	83	81	81	78	2	81	75	68	80	72	68	70	66	3	73	66	58	71	65	57	61	56	4	68	57	51	66	56	50	55	48	5	63	52	45	60	51	44	48	42	6	57	46	39	56	46	39	44	38	7	53	41	34	52	41	34	40	34	8	50	38	30	47	38	30	36	30	9	46	34	28	45	34	28	34	28	10	42	32	26	41	32	26	30	25
pcc	80			70			50																																																																																																																							
	70	50	30	70	50	30	50	30																																																																																																																						
0	97	97	97	95	95	95	91	91																																																																																																																						
1	90	85	82	88	83	81	81	78																																																																																																																						
2	81	75	68	80	72	68	70	66																																																																																																																						
3	73	66	58	71	65	57	61	56																																																																																																																						
4	68	57	51	66	56	50	55	48																																																																																																																						
5	63	52	45	60	51	44	48	42																																																																																																																						
6	57	46	39	56	46	39	44	38																																																																																																																						
7	53	41	34	52	41	34	40	34																																																																																																																						
8	50	38	30	47	38	30	36	30																																																																																																																						
9	46	34	28	45	34	28	34	28																																																																																																																						
10	42	32	26	41	32	26	30	25																																																																																																																						

ST 1x4 2 Lamp T5

Efficiency – 76.0%

LER – 63

TER – 55

Catalog No. 1STG228-PMW-1/2-EB Test No. 271011 S/MH 1.4 Lamp Type F28T5 Lumens/Lamp 2600 Ballast Factor 1.00 Input Watts 63 Comparative yearly lighting energy cost per 1000 lumens – \$3.81 based on 3000 hrs. and \$.08 pwr KWH. The photometric results were obtained in the Day-Brite laboratory which is NVLAP accredited by the National Institute of Standards and Technology.	Candlepower				Light Distribution																																																																																																																									
	<table border="1"> <thead> <tr> <th>Angle</th> <th>End</th> <th>45</th> <th>Cross</th> </tr> </thead> <tbody> <tr><td>0</td><td>1309</td><td>1309</td><td>1309</td></tr> <tr><td>5</td><td>1307</td><td>1314</td><td>1302</td></tr> <tr><td>10</td><td>1287</td><td>1306</td><td>1309</td></tr> <tr><td>15</td><td>1258</td><td>1296</td><td>1316</td></tr> <tr><td>20</td><td>1217</td><td>1278</td><td>1318</td></tr> <tr><td>25</td><td>1166</td><td>1253</td><td>1313</td></tr> <tr><td>30</td><td>1103</td><td>1218</td><td>1290</td></tr> <tr><td>35</td><td>1032</td><td>1166</td><td>1244</td></tr> <tr><td>40</td><td>944</td><td>1092</td><td>1169</td></tr> <tr><td>45</td><td>851</td><td>998</td><td>1068</td></tr> <tr><td>50</td><td>744</td><td>885</td><td>960</td></tr> <tr><td>55</td><td>634</td><td>760</td><td>825</td></tr> <tr><td>60</td><td>516</td><td>634</td><td>677</td></tr> <tr><td>65</td><td>399</td><td>503</td><td>509</td></tr> <tr><td>70</td><td>294</td><td>363</td><td>347</td></tr> <tr><td>75</td><td>196</td><td>227</td><td>195</td></tr> <tr><td>80</td><td>111</td><td>103</td><td>84</td></tr> <tr><td>85</td><td>47</td><td>31</td><td>29</td></tr> </tbody> </table>	Angle	End	45	Cross	0	1309	1309	1309	5	1307	1314	1302	10	1287	1306	1309	15	1258	1296	1316	20	1217	1278	1318	25	1166	1253	1313	30	1103	1218	1290	35	1032	1166	1244	40	944	1092	1169	45	851	998	1068	50	744	885	960	55	634	760	825	60	516	634	677	65	399	503	509	70	294	363	347	75	196	227	195	80	111	103	84	85	47	31	29	<table border="1"> <thead> <tr> <th>Degrees</th> <th>Lumens</th> <th>% Lamp</th> <th>% Luminaire</th> </tr> </thead> <tbody> <tr><td>0-30</td><td>1065</td><td>20.5</td><td>26.9</td></tr> <tr><td>0-40</td><td>1785</td><td>34.3</td><td>45.1</td></tr> <tr><td>0-60</td><td>3206</td><td>61.6</td><td>81.1</td></tr> <tr><td>0-90</td><td>3953</td><td>76.0</td><td>100.0</td></tr> </tbody> </table>	Degrees	Lumens	% Lamp	% Luminaire	0-30	1065	20.5	26.9	0-40	1785	34.3	45.1	0-60	3206	61.6	81.1	0-90	3953	76.0	100.0																												
Angle	End	45	Cross																																																																																																																											
0	1309	1309	1309																																																																																																																											
5	1307	1314	1302																																																																																																																											
10	1287	1306	1309																																																																																																																											
15	1258	1296	1316																																																																																																																											
20	1217	1278	1318																																																																																																																											
25	1166	1253	1313																																																																																																																											
30	1103	1218	1290																																																																																																																											
35	1032	1166	1244																																																																																																																											
40	944	1092	1169																																																																																																																											
45	851	998	1068																																																																																																																											
50	744	885	960																																																																																																																											
55	634	760	825																																																																																																																											
60	516	634	677																																																																																																																											
65	399	503	509																																																																																																																											
70	294	363	347																																																																																																																											
75	196	227	195																																																																																																																											
80	111	103	84																																																																																																																											
85	47	31	29																																																																																																																											
Degrees	Lumens	% Lamp	% Luminaire																																																																																																																											
0-30	1065	20.5	26.9																																																																																																																											
0-40	1785	34.3	45.1																																																																																																																											
0-60	3206	61.6	81.1																																																																																																																											
0-90	3953	76.0	100.0																																																																																																																											
Coefficients of Utilization EFFECTIVE FLOOR CAVITY REFLECTANCE 20 PER (pfc=0.20)					<table border="1"> <thead> <tr> <th rowspan="2">pcc</th> <th colspan="3">80</th> <th colspan="3">70</th> <th colspan="3">50</th> </tr> <tr> <th>70</th> <th>50</th> <th>30</th> <th>70</th> <th>50</th> <th>30</th> <th>50</th> <th>30</th> </tr> </thead> <tbody> <tr><td>0</td><td>91</td><td>91</td><td>91</td><td>88</td><td>88</td><td>88</td><td>83</td><td>83</td></tr> <tr><td>1</td><td>82</td><td>79</td><td>76</td><td>81</td><td>78</td><td>75</td><td>75</td><td>71</td></tr> <tr><td>2</td><td>76</td><td>68</td><td>64</td><td>73</td><td>68</td><td>63</td><td>65</td><td>60</td></tr> <tr><td>3</td><td>68</td><td>60</td><td>55</td><td>67</td><td>59</td><td>54</td><td>56</td><td>53</td></tr> <tr><td>4</td><td>63</td><td>54</td><td>46</td><td>60</td><td>53</td><td>46</td><td>51</td><td>46</td></tr> <tr><td>5</td><td>57</td><td>47</td><td>40</td><td>56</td><td>46</td><td>40</td><td>46</td><td>40</td></tr> <tr><td>6</td><td>53</td><td>42</td><td>35</td><td>52</td><td>42</td><td>35</td><td>40</td><td>34</td></tr> <tr><td>7</td><td>48</td><td>39</td><td>32</td><td>47</td><td>39</td><td>32</td><td>36</td><td>32</td></tr> <tr><td>8</td><td>46</td><td>35</td><td>28</td><td>45</td><td>34</td><td>28</td><td>34</td><td>28</td></tr> <tr><td>9</td><td>42</td><td>33</td><td>26</td><td>41</td><td>32</td><td>26</td><td>30</td><td>26</td></tr> <tr><td>10</td><td>40</td><td>29</td><td>23</td><td>39</td><td>29</td><td>23</td><td>28</td><td>23</td></tr> </tbody> </table>					pcc	80			70			50			70	50	30	70	50	30	50	30	0	91	91	91	88	88	88	83	83	1	82	79	76	81	78	75	75	71	2	76	68	64	73	68	63	65	60	3	68	60	55	67	59	54	56	53	4	63	54	46	60	53	46	51	46	5	57	47	40	56	46	40	46	40	6	53	42	35	52	42	35	40	34	7	48	39	32	47	39	32	36	32	8	46	35	28	45	34	28	34	28	9	42	33	26	41	32	26	30	26	10	40	29	23	39	29	23	28	23
pcc	80			70			50																																																																																																																							
	70	50	30	70	50	30	50	30																																																																																																																						
0	91	91	91	88	88	88	83	83																																																																																																																						
1	82	79	76	81	78	75	75	71																																																																																																																						
2	76	68	64	73	68	63	65	60																																																																																																																						
3	68	60	55	67	59	54	56	53																																																																																																																						
4	63	54	46	60	53	46	51	46																																																																																																																						
5	57	47	40	56	46	40	46	40																																																																																																																						
6	53	42	35	52	42	35	40	34																																																																																																																						
7	48	39	32	47	39	32	36	32																																																																																																																						
8	46	35	28	45	34	28	34	28																																																																																																																						
9	42	33	26	41	32	26	30	26																																																																																																																						
10	40	29	23	39	29	23	28	23																																																																																																																						

