

Iridium² - SGP352 & SGP353

Mounting Instruction

Instructions de montage

Instrucciones de montaje

Kokoonpano- ja Kiinnitysohjeet

Szerelési utasítások

Montageanleitung

Instrucces de montagem

Montaj yonergesi

Navod k montazi

Montage Instruktie

Monteringsinstruktioner

Οδηγίες ΤάξασομηθηθΧ

bycnerwoz gi vjynf:e

Istruzioni di montaggio

Monteringsvejleching

Instrukcja montazu

Navod k montazi

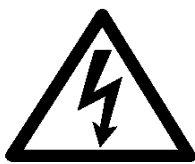
		IP..			complies with..	Voltage			
SGP352 SGP353	14 max 17 max	66	I II	IEC 60598	220- 240V	0,044 max 0,064	✓	E HID	-25°C +45°C

	SGP352	SGP353
H	183 mm	217 mm
W	358 mm	424 mm
L	751 mm	879 mm

! Hazard

RoHS 2002/95/EC

	SGP352 - Iridium ² HID Medium	SGP353 - Iridium ² HID Large
 ELECTONIC HID	SON-TPP 50W	SON-TPP 150W
	SON-TPP 70W	SON-TPP 250W
	SON-TPP 100W	
	SON-TPP 150W	
	CDO-TT 70W	CDO-TT 150W
	CDO-TT 100W	CDO-TT 250W
	CDO-TT 150W	
	CPO-TW 45W	CDM-TMW 210W /830
	CPO-TW 60W	CDM-TMW 210W /842
	CPO-TW 90W	
CPO-TW 140W		



Disconnect before servicing
 Mettre hors tension avant intervention
 Öffnen nur spannungsfrei
 Demonteren voor onderhoud

Togliere tensione prima di fare manutenzione
 Desconectar antes de manipular
 Bryt strömmen före lampbyte

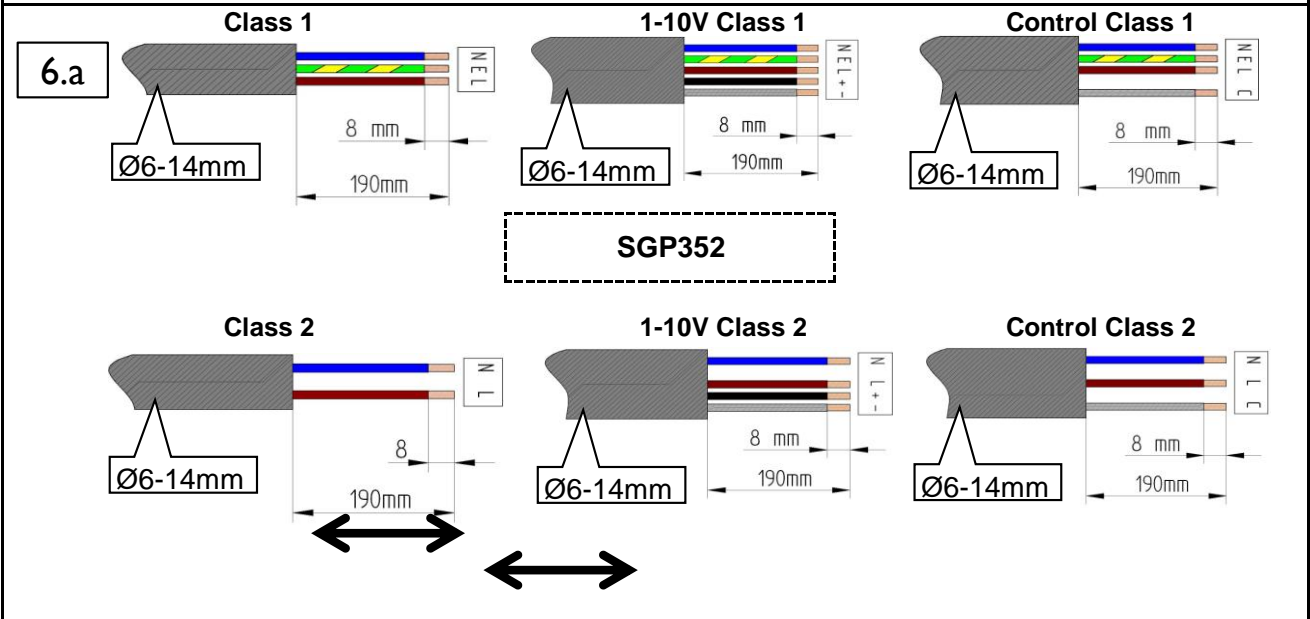
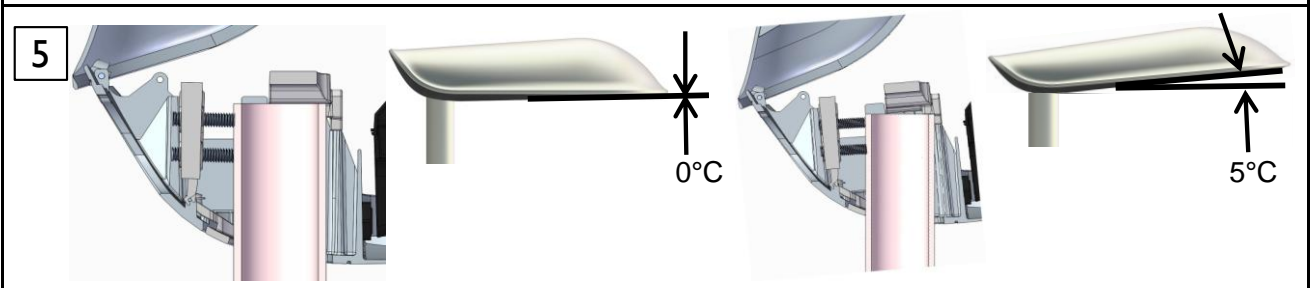
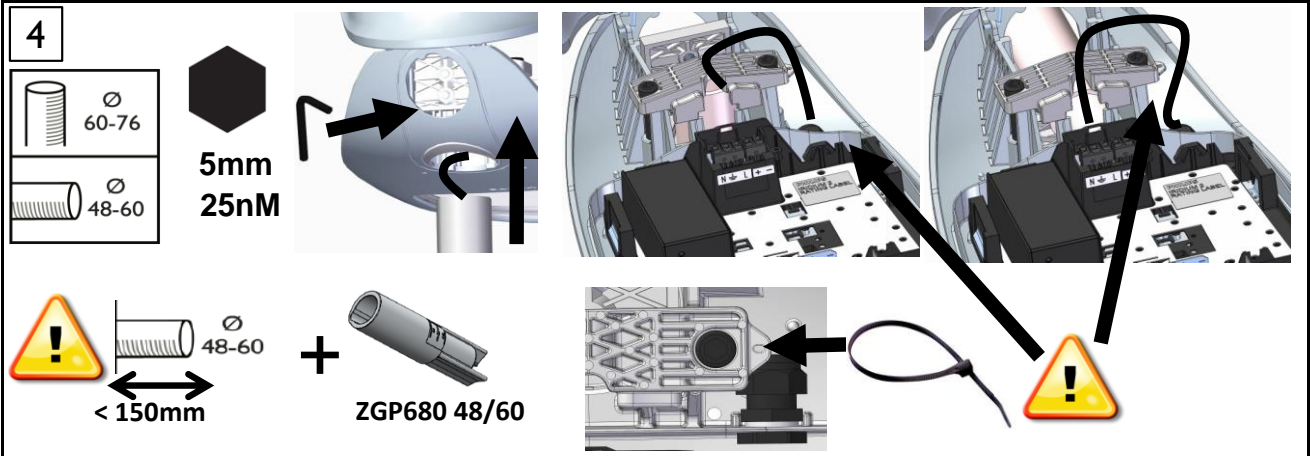
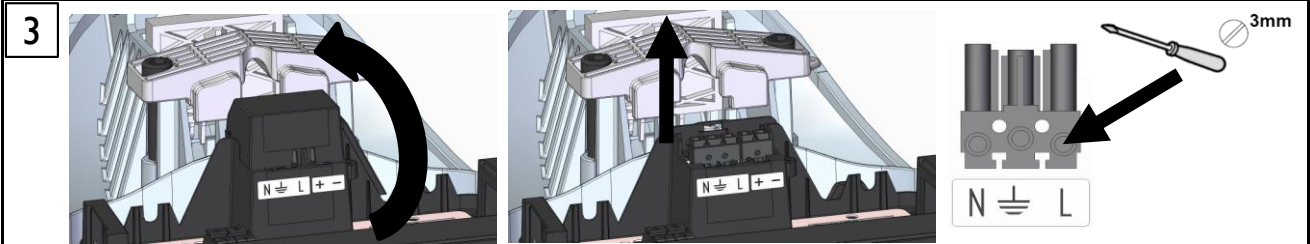
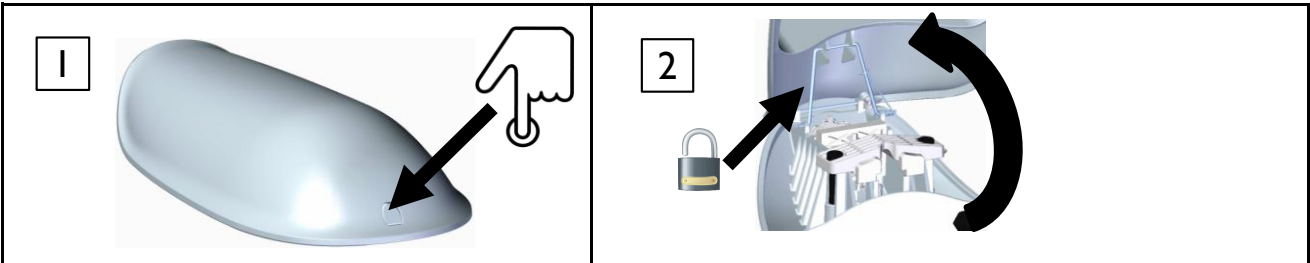
Use Philips Lamps for Optimum performance

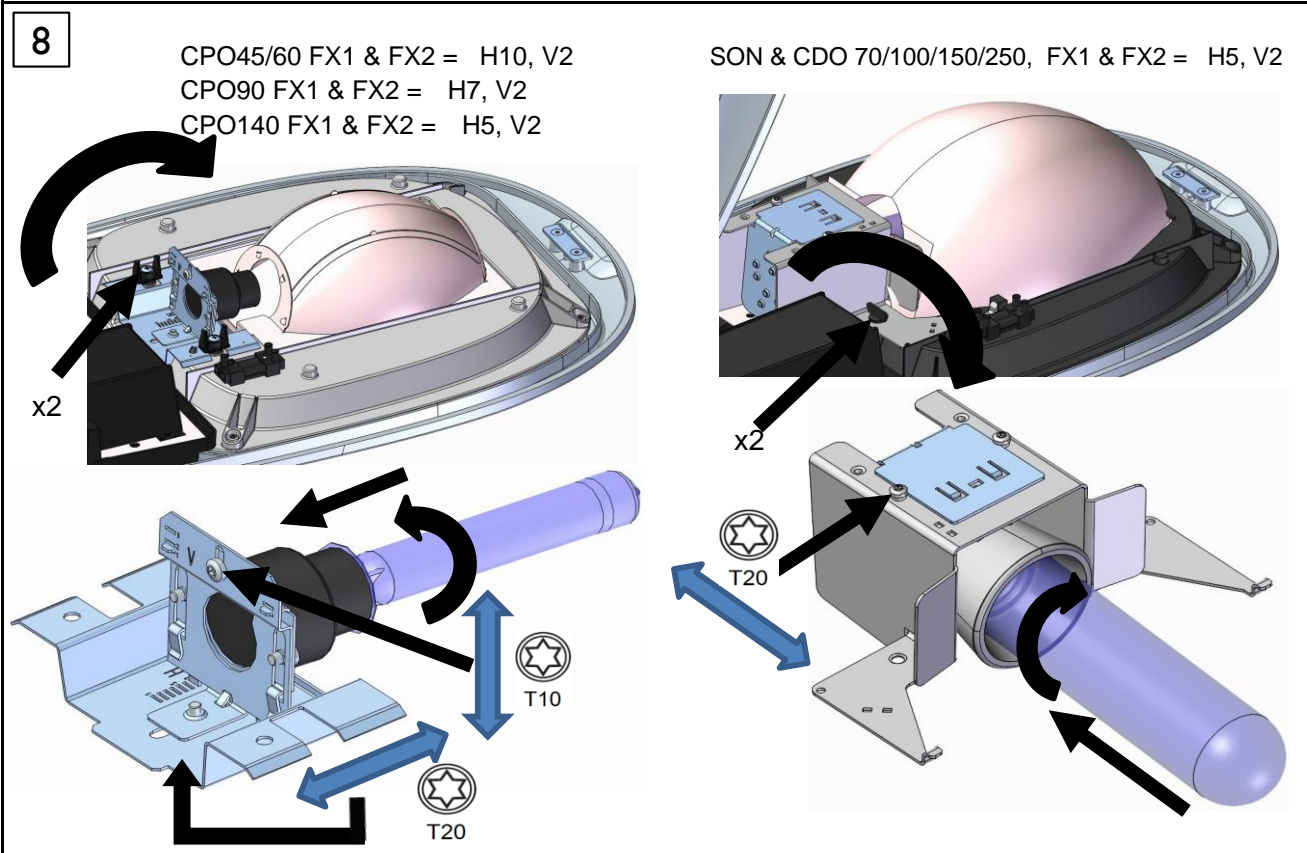
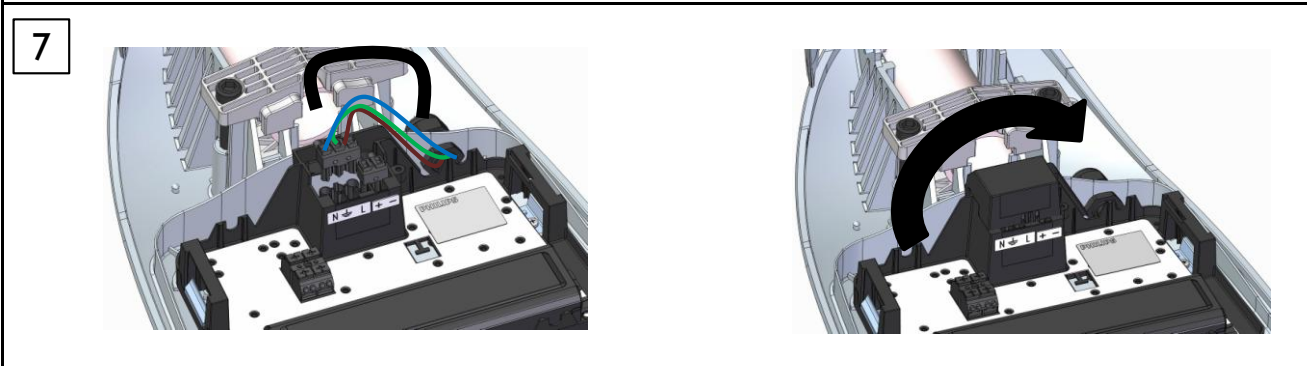
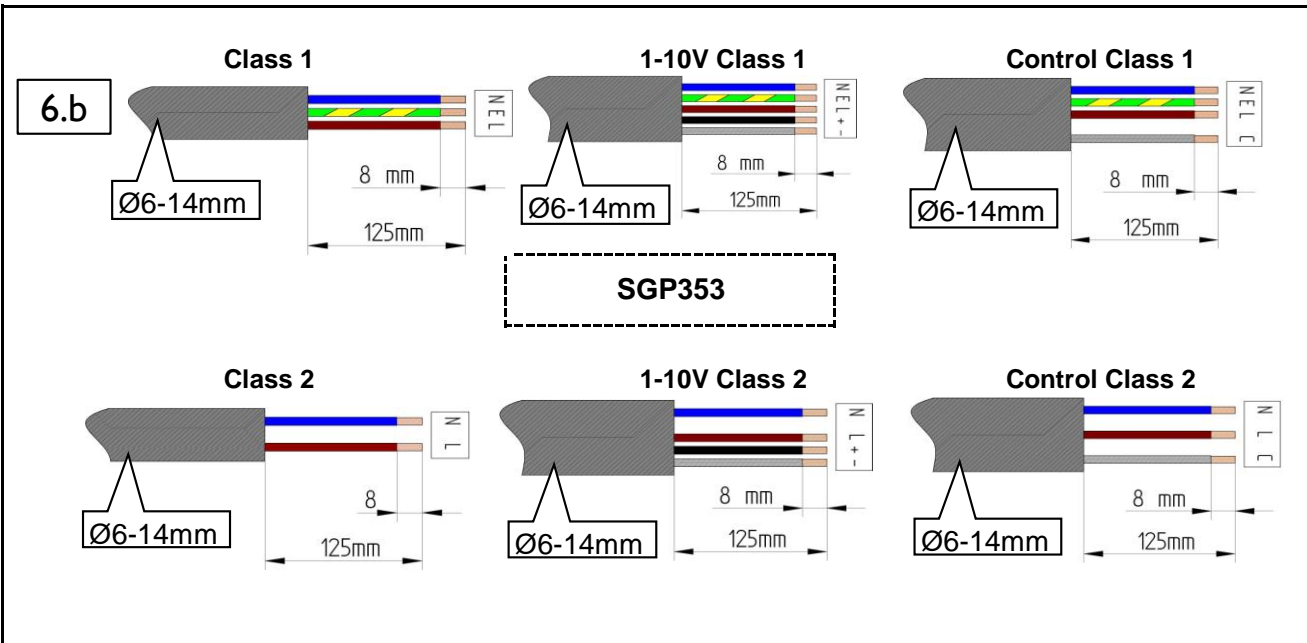
- Fonctionnement optimal avec lampes Philips
- Funzionamento ottimale garantito con lampade Philips
- Wert het best met Philips-lampen
- Optimale Betriebsleistung mit Philips-Lampen
- Funciona melhor com lampadas Philips no interior
- Resultados optimos con lamparas Philips
- Toimii parhaiten Philips-lamppujen kanssa
- Fungerer bedst med Philips-lamper
- Fungerer mest optimalt med Philips-lamper
- Fungerar bast med lampor fran Philips

The (1-10V) controllers to use with this luminaire must provide SELV signals

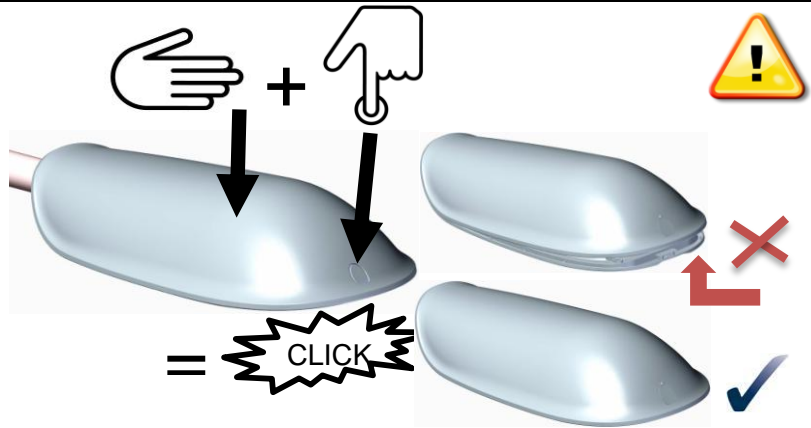
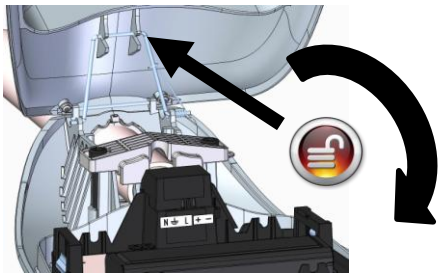
12NC - 4413 181 05981
 Version Date - wk47 / 2011
 Data subject to change
 Printed in UK
 www.philips.com/lighting



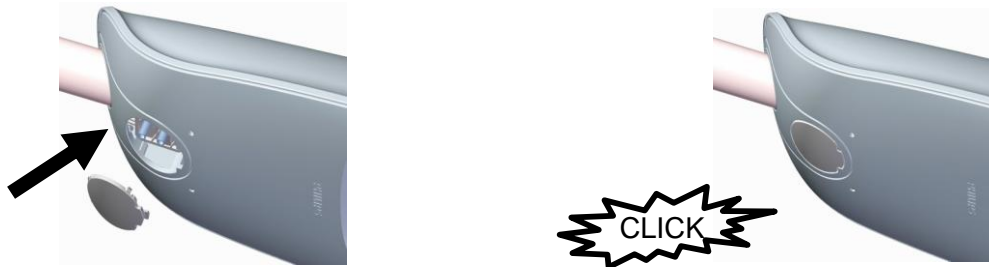




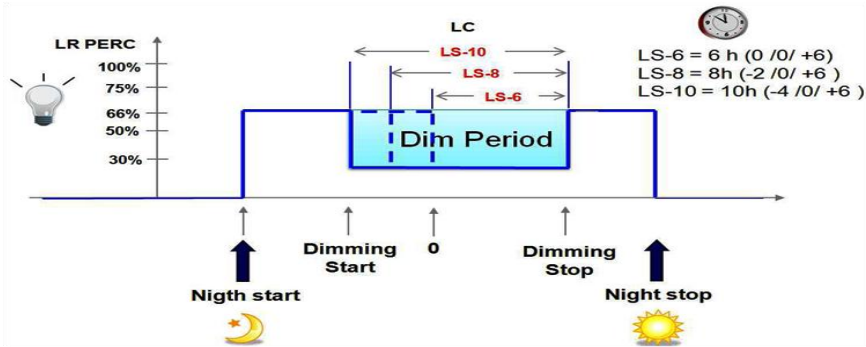
9



10



LUMISTEP



DynaDimmer

SON lamps (All power)

DDF1	
Time	Light level
Start / 19:00	100%
19:00 / 22:00	70%
22:00 / 4:00	50%
4:00 / 6:00	70%
6:00 / End	100%

DDF2	
Time	Light level
Start / 21:00	100%
21:00 / 00:00	70%
00:00 / 4:00	50%
4:00 / 6:00	70%
6:00 / End	100%

DDF3	
Time	Light level
Start / 20:00	100%
20:00 / 23:00	70%
23:00 / 5:00	30%
5:00 / 7:00	70%
7:00 / End	100%

CDO lamps

DDF1 (Min is 60% for 50/70W)	
Time	Light level
Start / 19:00	100%
19:00 / 22:00	70%
22:00 / 4:00	50%
4:00 / 6:00	70%
6:00 / End	100%

DDF2 (Min is 60% for 50/70W)	
Time	Light level
Start / 21:00	100%
21:00 / 00:00	70%
00:00 / 4:00	50%
4:00 / 6:00	70%
6:00 / End	100%

DDF3 (Min is 60% for 50/70W)	
Time	Light level
Start / 20:00	100%
20:00 / 23:00	70%
23:00 / 5:00	50%
5:00 / 7:00	70%
7:00 / End	100%

CPO lamps

DDF1 (Min is 55% for 45W)	
Time	Light level
Start / 19:00	100%
19:00 / 22:00	70%
22:00 / 4:00	50%
4:00 / 6:00	70%
6:00 / End	100%

DDF2 (Min is 55% for 45W)	
Time	Light level
Start / 21:00	100%
21:00 / 00:00	70%
00:00 / 4:00	50%
4:00 / 6:00	70%
6:00 / End	100%

DDF3 (Min is 55% for 45W)	
Time	Light level
Start / 20:00	100%
20:00 / 23:00	70%
23:00 / 5:00	50%
5:00 / 7:00	70%
7:00 / End	100%