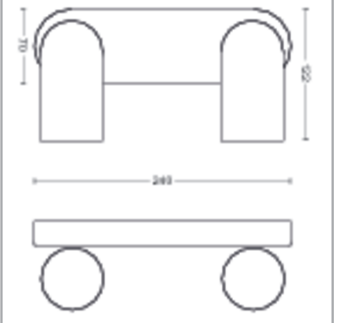




PHILIPS
myLiving
Spot light
PONGEE
white
LED



50582/31/P0



Living joyfully in the moment

This Philips my Living Contemporary is a range of spot lights with elegant silhouettes and high-quality light that matches today's tastes, trends and lifestyles. The warm white light from the high-quality LEDs is ideal for accent lighting.

Sustainable light solutions

- The perfect light beam for accent lighting
- Energy saving

Special characteristics

- Adjustable spot head

PHILIPS

Designed for your home office

- For any room in your interior
- Natural and recognisable forms

Designed for your living room and bedroom

- Warm white light
- High-quality materials

Highlights

Accent lighting



This Philips spot light has the perfect light beam for accent lighting allowing you to emphasise any detail or feature in your interior.

Energy saving



This Philips energy-saving lamp conserves energy compared with traditional light sources, helping you to save money on your electricity bills and do your bit for the environment.

Adjustable spot head



Direct the light where you want it most by simply adjusting, rotating or tilting the spot head of the lamp.

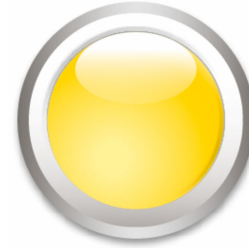
For any room in your interior

Fully functional and at the same time very elegant, this Philips spot light will bring a decorative touch to any room in your home.

Natural and recognisable forms

Soft transitions and curved lines define the timeless look of myLiving by Philips. Practical and elegant, myLiving spot lights are unobtrusive and blend perfectly into any contemporary interior.

Warm white light



Light can have different colour temperatures, indicated in units called Kelvin (K). Lamps with a low Kelvin value produce a warm, more cosy light, while those with a higher Kelvin value produce a cool, more energising light. This Philips lamp offers warm white light for a cosy atmosphere.

High-quality materials

This lamp is sculpted from layered patterns of high-quality materials with superior finishing. This ensures a solid and long lasting product that will enhance your home for many years to come.

Specifications

Design and finishing

- Colour: white
- Material: metal

Extra feature/accessory incl.

- Adjustable spot head: Yes
- click!FIX mounting: Yes
- LED lamp(s) included: Yes

Miscellaneous

- Especially designed for: Living Room and Bedroom
- Style: Modern
- Type: Spot light
- EyeComfort: No

Power consumption

- Energy Efficiency Label: A+

Product dimensions and weight

- Height: 8.2 cm
- Length: 24 cm
- Net weight: 0.670 kg
- Width: 12.2 cm

Service

- Warranty: 2 year(s)

Technical specifications

- Lifetime up to: 15,000 h
- Light source equivalent to traditional bulb of: 50 W
- Bulb technology: LED, 230 V
- Light colour: warm white
- Mains power: Range 220 V–240 V, 50–60 Hz
- Fixture dimmable: No
- LED: Yes
- Built-in LED: No
- Energy class included light source: A+
- Fixture is compatible with bulb(s) of class: A++ to E
- Number of bulbs: 2
- Fitting/cap: GU10
- Wattage bulb included: 4.6 W
- Maximum wattage replacement bulb: 5.5 W

- IP code: IP20, protection against objects bigger than 12.5 mm, no protection against water
- Class of protection: I - earthed

Packaging dimensions and weight

- SAP EAN/UPC - Piece: 8718696164808
- EAN/UPC - Case: 8718696233962
- Height: 11.7 cm
- SAP Gross Weight EAN (Piece): 0.877 kg
- Weight: 0.877 kg
- Net Weight (Piece): 0.670 kg
- SAP Height (Piece): 117.000 mm
- SAP Length (Piece): 115.000 mm
- SAP Width (Piece): 334.000 mm
- Width: 11.5 cm
- Length: 33.4 cm



Issue date: 2019-11-08
Version: 0.380

© 2019 Signify Holding. All rights reserved. Signify does not give any representation or warranty as to the accuracy or completeness of the information included herein and shall not be liable for any action in reliance thereon. The information presented in this document is not intended as any commercial offer and does not form part of any quotation or contract, unless otherwise agreed by Signify. Philips and the Philips Shield Emblem are registered trademarks of Koninklijke Philips N.V.

www.lighting.philips.com