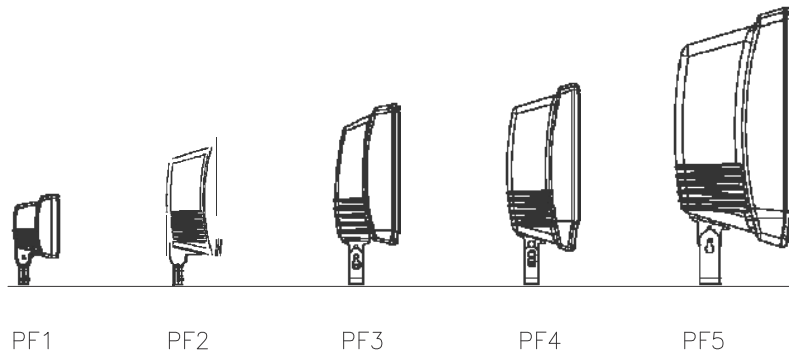


Pentaflood (PF1, PF2, PF3, PF4, PF5) Installation Instructions

These instructions may not provide directions to cover every variation and detail. To obtain additional information, consult the applicable electrical codes or contact the factory directly for assistance before attempting anything with uncertainty.

WARNING: To avoid electrical shock, **TURN POWER SUPPLY OFF** before installing or servicing this unit. Wire fixtures in accordance with the national electrical code and any applicable local code requirements.

Relative sizes of Fixtures



PF1 / PF2 – Arm Mount

Recessed (Fig. 1) and Surface Box (Fig. 2) Mounting:

1. Disconnect electric circuit.
2. Pull the three wires coming from ½" arm through ½" NPS access hole of coverplate.
3. Applying sealing compound to swivel arm thread to provide water tight seal and screw cover plate onto ½" arm.
4. Make wire splices inside mounting box. Be sure white supply wire is connected to white fixture wire and black supply wire is connected to black fixture wire.
5. Attach cover with fixture to mounting box. Be sure to compress gasket supplied with box and/or cover between box and cover.
6. Unhinge lens by loosening screws.
7. Install lamp, replace lens and tighten screws.

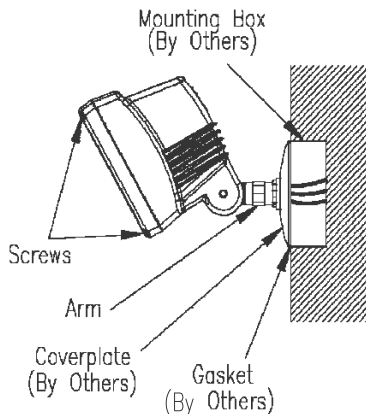


FIG. 1

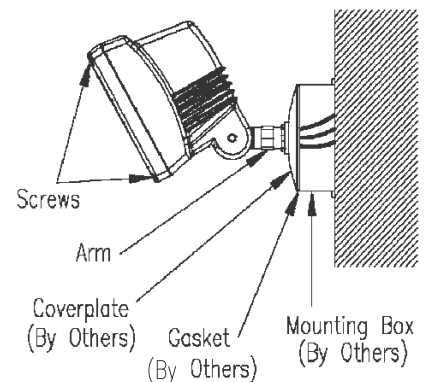


FIG. 2

Aiming:

PF1 and PF2 arm mount models feature precise degree markings for convenient aiming. Loosen main bolt, tilt floodlight to a desired position and retighten bolt. (See Fig. 3)

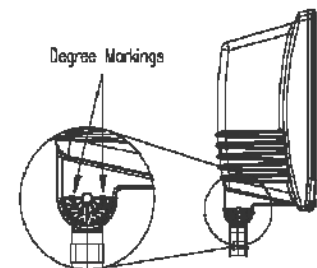


FIG. 3

INSTALLATION INSTRUCTIONS

PentaFlood: PF1, PF2, PF3, PF4, PF5

PF1 Reflector Positions only:

To change distribution, remove reflector and turn 90° as shown in Fig. 4.

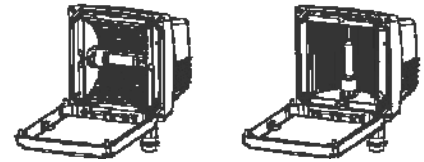


FIG. 4

PF2 – Yoke Mount (Fig. 5)

1. Mount to any flat surface with one 1/2" bolt or two 3/8" bolts.
2. Ensure proper voltage from the ballast is wired to cord.
3. Attach cord from fixture to electrical supply.
4. **WARNING:** To prevent electrical shock, connect green ground lead to fixture to ground conductor of supply.

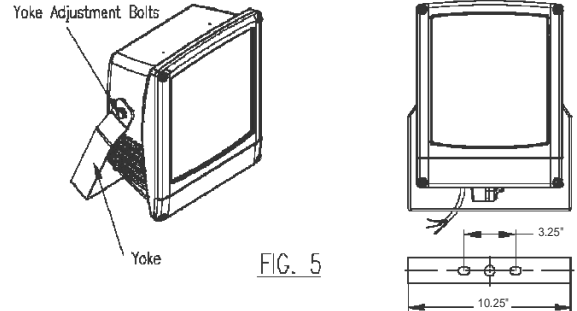


FIG. 5

PF2 – Wall Mount (Fig. 6)

1. Mount to any flat surface with two 1/2" bolts.
2. Ensure proper voltage from the ballast is wired to cord.
3. Attach cord from fixture to electrical supply.
4. **WARNING:** To prevent electrical shock, connect green ground lead to fixture to ground conductor of supply.

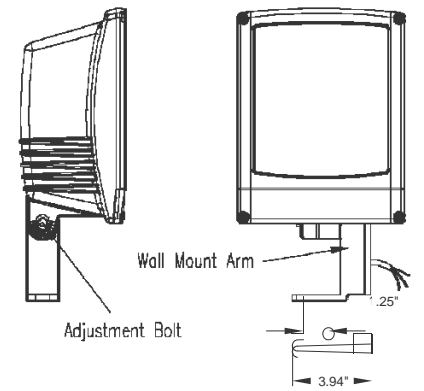


FIG. 6

PF3 / PF4 / PF5 – Yoke Mount (PF5 Shown)

1. Mount to appropriate flat surface with 1/2" bolts. See Fig. 8 for bolt hole pattern.
2. Loosen 4 latch screws and open door assembly.
3. Install Lamp – Refer to Lamp Type Label on fixture.
4. Remove cover plate screw and rotate cover plate up to remove (PF4 & PF5 Only).
5. **WARNING:** To prevent electrical shock, connect green ground lead of fixture to ground conductor of supply.
6. Ensure proper voltage from the supply lead taps from ballast as marked.

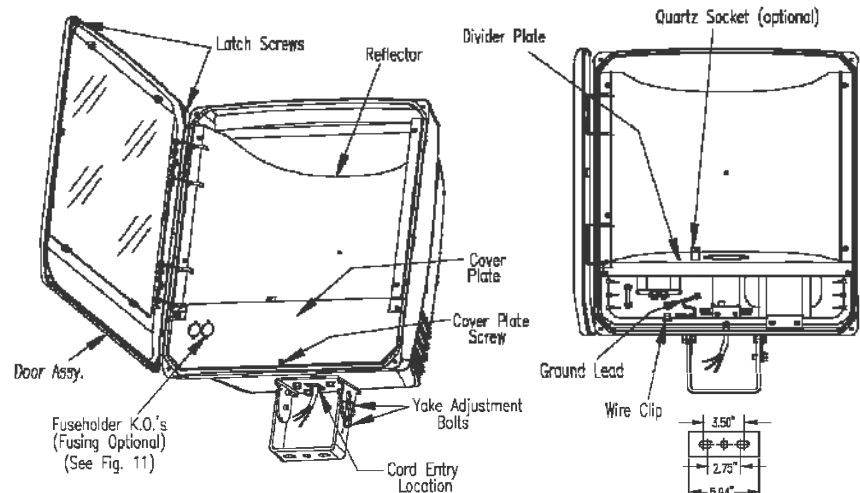


FIG. 7

FIG. 8

7. Replace cover plate by inserting tabs of plate into slots of divider plate and rotate cover down. Fasten with cover plate screw (PF4 & PF5 Only).
8. Install Lamp – Refer to Lamp Type Label on fixture.
9. Close door frame assembly and secure with four captive screws.

INSTALLATION INSTRUCTIONS

PentaFlood: PF1, PF2, PF3, PF4, PF5

Floodlight Aiming:

Yoke models have degree markings for convenient aiming. Loosen four yoke bolts. Tilt floodlight to a desired position and retighten bolts.

PF3 / PF4 / PF5 – Tenon Mount (PF5 Shown)

Fits pole tops / tenons up to 2 3/8" O.D.

1. Loosen 4 latch screws and open door assembly.
2. Install Lamp – Refer to Lamp Type Label on fixture.
3. Close door frame assembly and secure with four captive screws.
4. Open Tenon wiring compartment by removing two screws and cover.
5. Connect power supply leads to fixture leads in wiring compartment.
6. **WARNING:** To prevent electrical shock, connect green ground lead to ground conductor of supply circuit.
7. Replace wiring compartment cover.

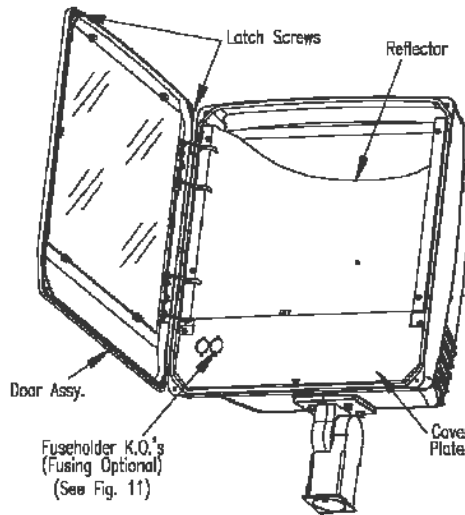


FIG. 9

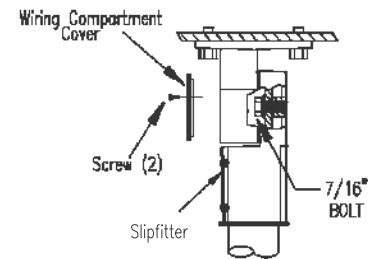


FIG. 10

Fusing PF3 / PF4 / PF5 (Optional) – (Fig.11):

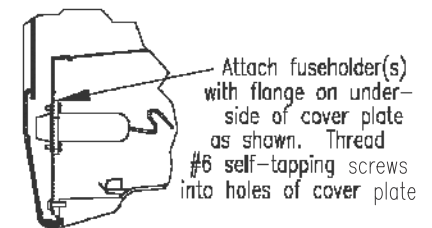


FIG. 11

Fuseholder Mtg (Optional)

Floodlight Aiming:

Tenon models have degree markings for convenient aiming.

Open wiring cover by removing two screws (FIG. 10). Loosen 7/16" tenon bolt, tilt to desired position and retighten bolt.

SPECIAL NOTE (AIMING FIXTURE ABOVE HORIZONTAL) FOR YOKE INSTALLATION: PF3 (Fig. 12)

Remove Yoke mounting bolts and apply RTV silicone around bolt threads and re-install back in housing.

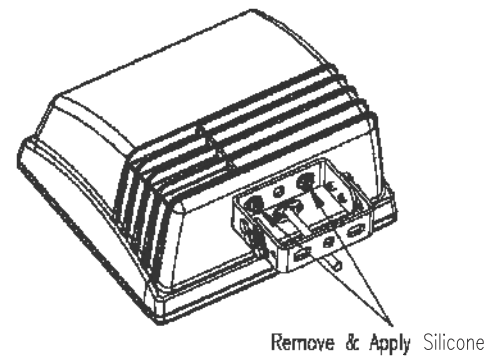


FIG. 12

PHILIPS

INSTALLATION INSTRUCTIONS

PentaFlood: PF1, PF2, PF3, PF4, PF5

Typical Wiring Instructions (Fig. 13)

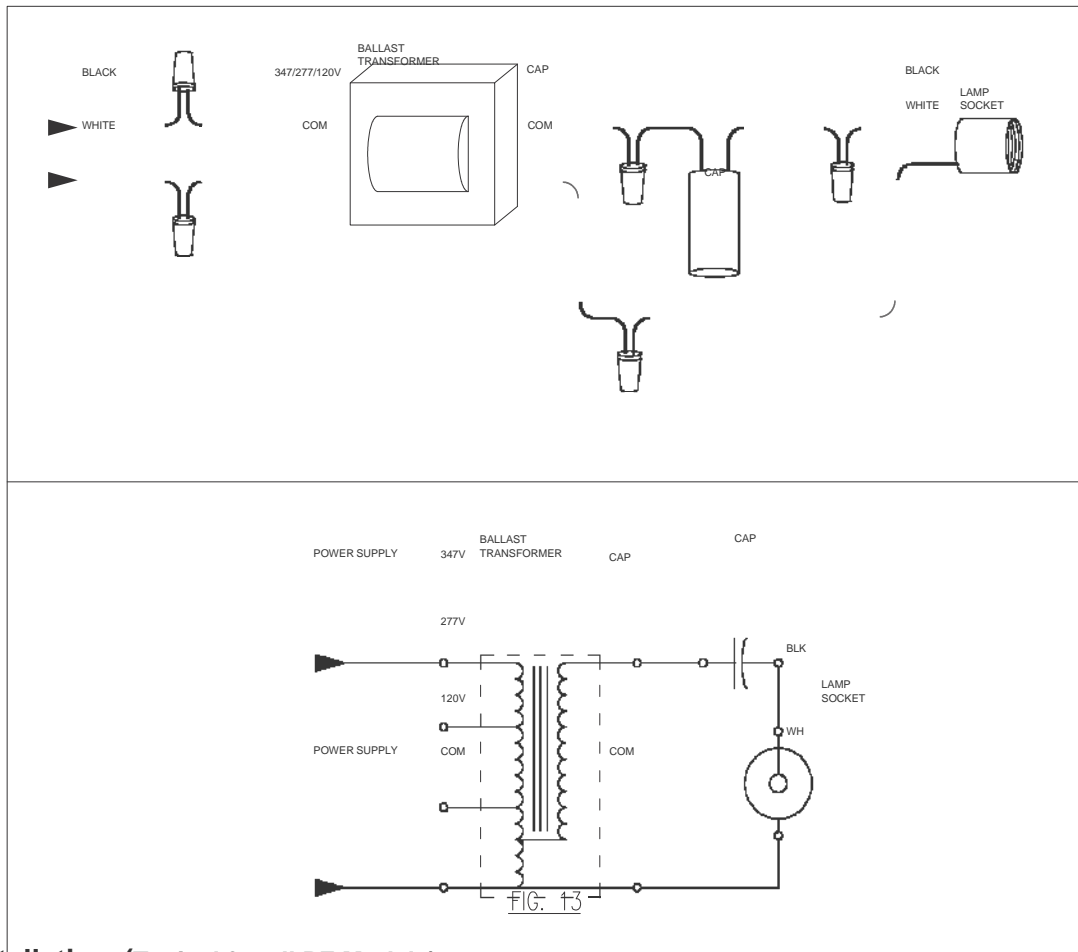
Units built for a specific voltage are completely factory wired. Double check your power supply to make sure supply voltage is compatible with unit.

Quad-Tap units may be used with a choice of 120V, 208V, 240V or 277V and Tri-Tap units may be used with a choice of 120V, 277V or 347V provided that proper electrical connections are completed in field.

For Example: If your supply voltage is 120V, connect "primary" (black) supply wire to 120V ballast supply wire or tap. Connect "common" (white) supply wire to ballast "common" wire.

NOTE: Make sure that all unused leads are properly capped.

Fig.13 below illustrates a typical Basic Constant Wattage Circuit. Actual wiring may differ.



Lamp Installation (Typical for all PF Models)

1. Check data marker on fixture to insure proper lamp source and wattage.
2. Turn power supply off.
3. Open floodlight door by loosening screw on door frame.
4. Insert lamp and tighten to a light firmness.
5. Close floodlight door and tighten screws.
6. Floodlight power supply may now be turned on.

