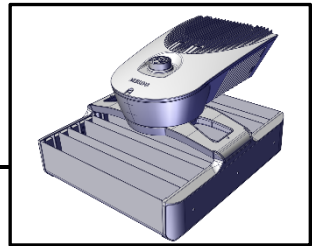


INSTALLATION INSTRUCTIONS

HighFocus LED HIGH MAST

This luminaire is intended for outdoor applications, cULus Listed to the UL 1598 standard, and suitable for wet locations.



MAXIMUM LUMINAIRE WEIGHT:
75LBS. (34.02KGS.)

READ THESE INSTRUCTIONS CAREFULLY BEFORE INSTALLING THIS LUMINAIRE.

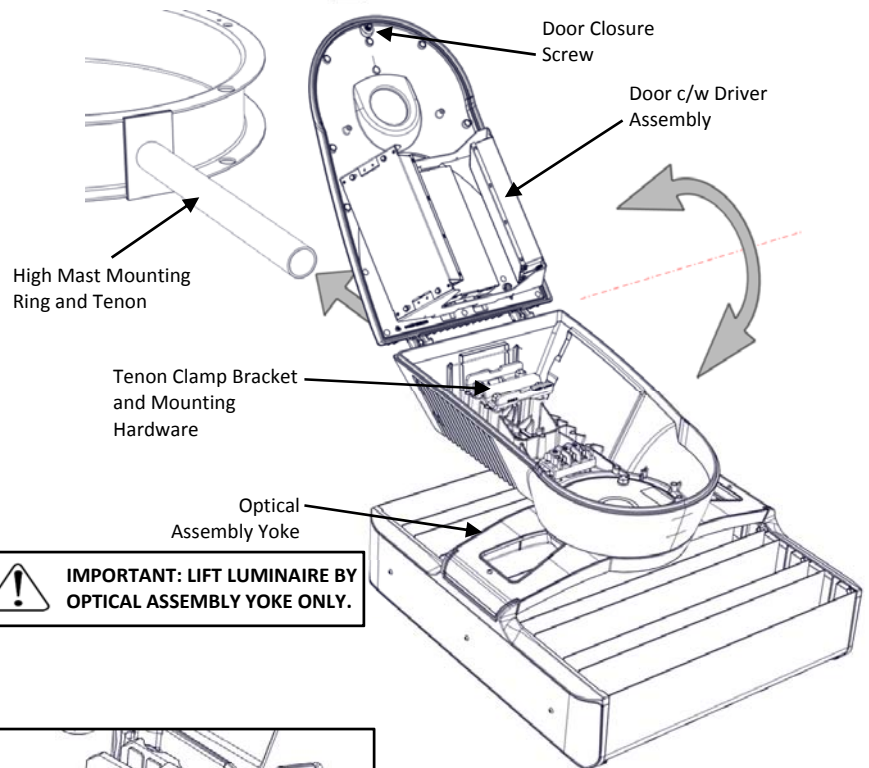
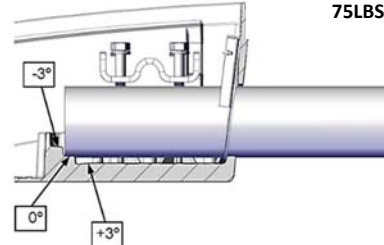
CAUTION: THE ELECTRICAL POWER MUST BE DISCONNECTED BEFORE OPENING THE LUMINAIRE. FAILURE TO FOLLOW THE INSTALLATION DOCUMENTATION OR OPERATING THIS PRODUCT OTHERWISE THAN FOR ITS INTENDED USE VOIDS THE WARRANTY. RISK OF FIRE/ELECTRIC SHOCK. THIS LUMINAIRE MUST BE INSTALLED IN ACCORDANCE WITH THE NEC OR YOUR LOCAL ELECTRICAL CODE. IF YOU ARE NOT FAMILIAR WITH THESE CODES AND REQUIREMENTS, CONSULT A QUALIFIED ELECTRICIAN.

Luminaire Installation:

It is recommended that two people perform this operation.

- Loosen captive door closure screw. Carefully swing door and driver assembly open.
- Loosen tenon clamp bracket bolts.
- Align luminaire to mounting arm/tenon (2" (2-3/8" OD) nominal pipe).
- Slide mounting arm **straight** through tenon gasket opening and under tenon clamp bracket.
- Vertical angle can be adjusted in 3° steps that are cast into housing. Shown above.
- Level luminaire horizontally using top of optical assembly and bubble level.
- Use a torque wrench and evenly tighten four mounting arm bolts of the tenon bracket to (14-16 ft.-lbs.(19-22 N*m))

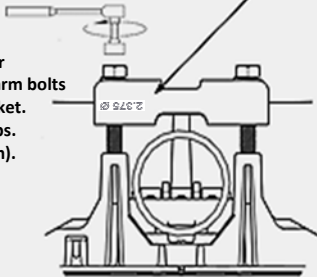
Vertical Adjustment Steps:



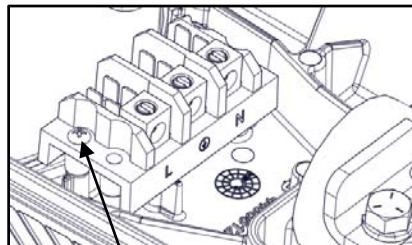
CAUTION! PREVENT OVER TORQUE DAMAGE. DO NOT OVER TORQUE BOLTS.

IMPORTANT: The correct tenon diameter markings when used on HighFocus LED High Mast is shown below with the 2.375" Diameter marking upside down and positioned closest to tenon. Please ensure bracket is positioned as shown before installation.

Torque four mounting arm bolts of the bracket. (14-16 ft.-lbs. (19-22 N*m)).



IMPORTANT: LIFT LUMINAIRE BY OPTICAL ASSEMBLY YOKE ONLY.



Terminal Block: Important: Tighten the set-screws between (20 and 25 in.-lbs. (2.3 and 2.8 N*m)).



FOR SAFETY REASONS, THE GROUND LEADS MUST ALWAYS BE CONNECTED BEFORE ANY OTHER LEADS.

- Route incoming branch circuit from end of tenon and connect to terminal block. Tighten the set-screws between (20 and 25 in.-lbs. (2.3 and 2.8 N*m)).
- Carefully swing door to closed position and retighten closure screw.
- Caution: Ensure that no wiring is pinched between the door and housing.**
- Energize the luminaire and check for proper operation.

Required Tools :

Description:	Use:
Wrench for 9/16" Hex	Mounting Arm Bolts
Flat End Screwdriver	Terminal Block
Allen Key – 5/32	Entry Door Fastener
Torque Wrench (ft.-lbs.)	Mounting Bolts/Rotation Bolts

INSTALLATION INSTRUCTIONS

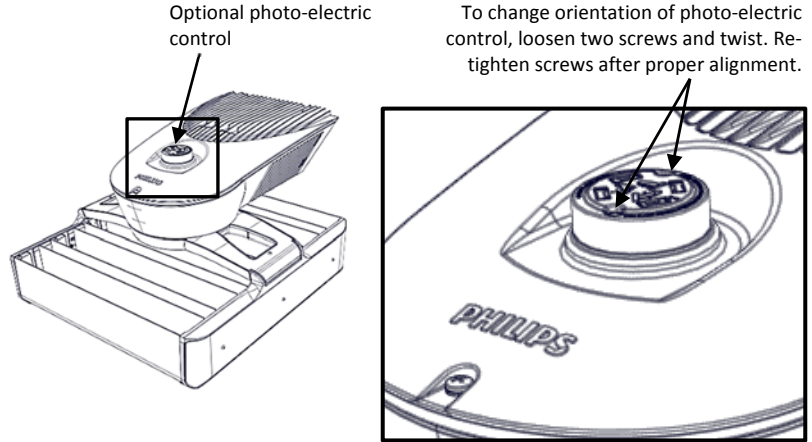
HighFocus LED HIGH MAST

Photo-electric Control: (Optional)

- When used, photo-electric receptacle should be oriented so that the letter "N" with arrow is directed toward true north. **Install photo-electric control last.**

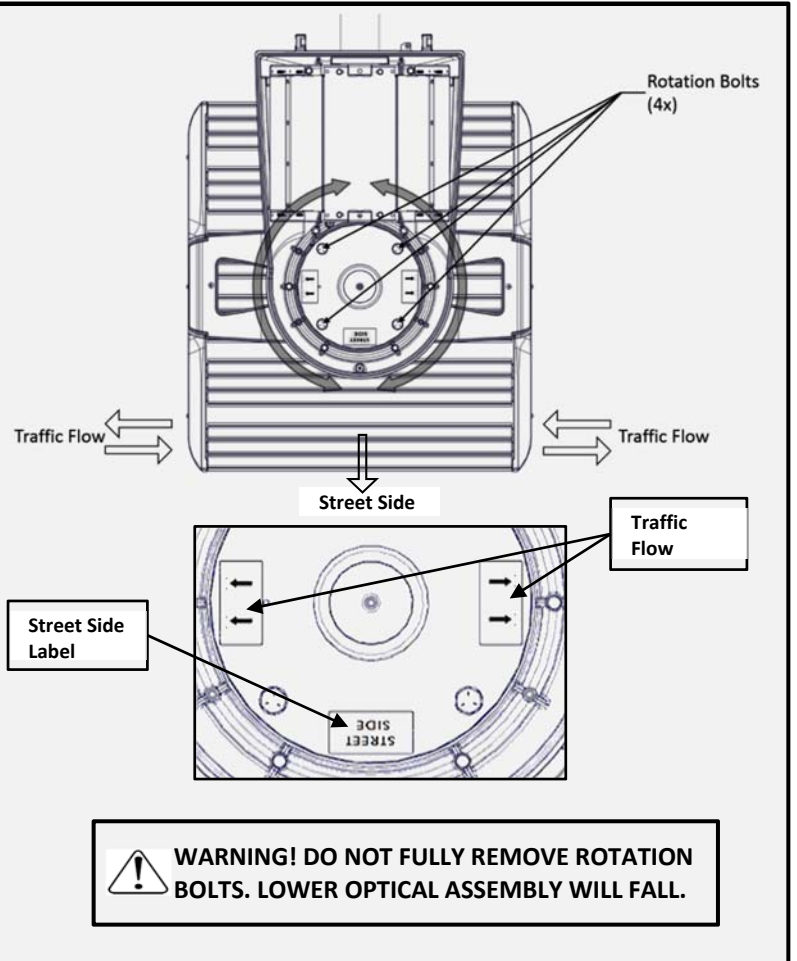
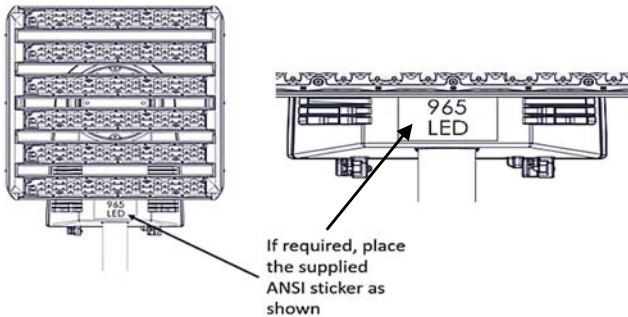
Optic Orientation:

- Type 2, Type 3 and Type 4 optics are asymmetric distributions and will need to be rotated and oriented to the traffic flow.
- Type 5M and 5W are symmetric distribution and do not need orientation. Rotation instructions can be skipped.
- With door opened, loosen (4) rotation bolts one to two turns. **CAUTION! DO NOT FULLY REMOVE BOLTS. LOWER OPTICAL ASSEMBLY WILL FALL.**
- Ensure that Street Side Label is facing roadway, unless photometric layouts have been provided by Philips, in which case align based on these.
- Rotate the optical assembly to the correct orientation. Traffic Flow Arrow labels indicate traffic flow direction. Align parallel to traffic flow.
- Fully tighten the (4) rotation bolts (22-26 ft.-lbs. (30-35 N*m)) to lock optic assembly so that it is unable to rotate.



ANSI Label (Optional): - Labels included in packaging.

- For 2 module 92LED luminaire use 320W ANSI Label
- For 4 module 184LED luminaire use 640W ANSI Label.
- For 6 module 276LED luminaire use 965W ANSI Label.



Maintenance (Recommended):

To keep maximum luminaire efficiency we recommend cleaning the luminaires on a regular basis, minimum once a year. Cleaning frequency may vary depending on luminaire location (ex: high traffic area or other areas prone to more dirt & debris accumulation). A high frequency of cleaning periods is recommended to avoid having to resort to high pressure cleaning that could be required if not cleaned more frequently. The use of a mild soap or detergent (nonabrasive, noncorrosive, chlorine-free, ammonia free) and a clean, non-abrasive soft cloth to clean the outer lens surfaces is recommended. Immediately after cleaning the luminaire, rinse with clear, clean, cold water to remove all soap residues and wipe dry with a clean, non-abrasive soft cloth. There is no need to clean the inside of the luminaire with soap and water. However, it is recommended to remove dust, cobwebs, nests or active insect infestations, or any other things that might interfere with the proper functioning of the luminaire.

