



Ledelite's **MicroSquare gen2** has been re-engineered to furnish your space with the highest quality, discreet, narrow lines of continuous light. Elegant, low glare illumination with wide-throw upper and lower distributions improve visual comfort while allowing increased fixture spacing. This in turn, helps reduce initial and operating costs.

Project:	_____
Location:	_____
Cat.No:	_____
Type:	_____
Line ID:	_____ Qty: _____
Notes:	_____

Ordering guide

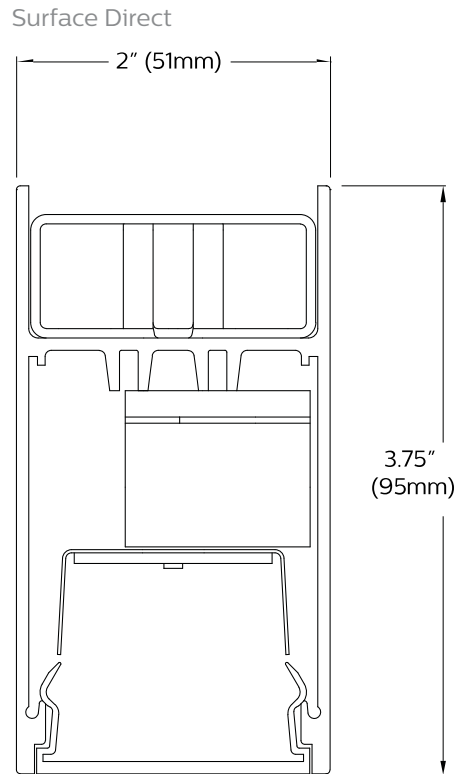
example: 2211LCGLN067DEW

Family	Source	CRI/CCT ¹	Lumens ¹	Optics & Housing	Run Length	Wiring ²	Voltage	Driver	Finish	Endcap Option
2211	L							E		
2211 MicroSquare gen2 Surface Direct	L LED	A 80CRI/4000K B 80CRI/3500K C 80CRI/3000K	G 2600 lm/4ft K 1300 lm/4ft	LN Flush Slik Lens	04 4ft 06 6ft 08 8ft xx Continuous Run (2ft increments)	7 1cct Dimming M 1cct Dimming + EM Wiring	D UNV 120-277V 3 347V	E Advance 0-10V (1% Dim)	W Standard White T Titanium Silver B Black C Custom	SC Solid Cube (standard) SB Sculpted Black Acrylic FM Flush Maple Insert

1. Nominal values within a range. Consult photometry data for CRI, color temp, lumens & distribution of chosen configuration.
 2. Not all wiring types are available with all configurations. Consult Ledelite for a complete list of available options.

MicroSquare gen 2 linear surface

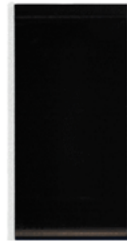
Direct



Endcaps

SC - Solid Cube (standard)

SB - Sculpted Black Acrylic

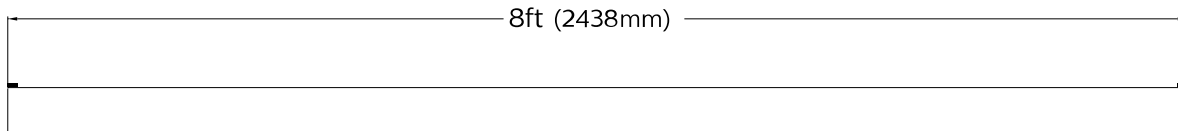
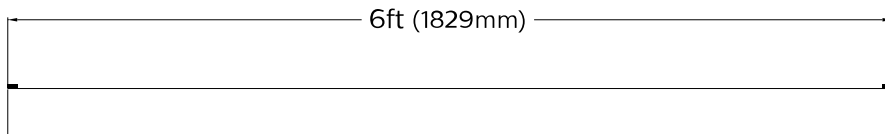
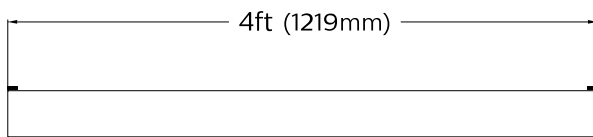


FM - Flush Maple



Module Details & Dimensions

Surface Mount - Side View, No Endcaps



MicroSquare gen 2 linear surface

Specifications

Optical System

Upper hemisphere: Light from a linear array of upward-facing LEDs is shaped into a homogeneous, wide-throw batwing distribution using either a freeform elliptical lens or an engineered light guide panel. Lower hemisphere: Light from a linear array of downward-facing LEDs is diffused through a transmissive white engineered acrylic lens to deliver a highly uniform, luminous continuum without sacrificing efficacy.

Endcaps

Cubic aluminum endcaps with an internal draw-tight connector to minimize the joint line. Three styles available: solid cube, sculpted black acrylic insert or flush maple insert.

Finish

Standard finish is a textured matte powder coat in white, black or titanium silver.

Housing

Precision aluminum extrusion, post painted.

Weight

Maximum: Surface & Suspended Direct or Indirect - 7.5 lb/4ft; Suspended D/I - 9.5 lb/4ft; Wall D/I - 13.8 lb/4ft

Electrical

Factory pre-wired to section ends with quick-wire connectors.

Standard Driver

Advance Xitanium 0-10V, 1-100%. Class 2 rated output. Consult Ledalite for other available drivers.

Lumen Maintenance

LEDs have been tested by the manufacturer in accordance with IESNA LM-80-08. At an ambient temperature of 25°C, the LED lumen maintenance expectation according to IES TM-21-11 Reported methodology is: L80 (12k) >72,000 hrs.

Source Color

LEDs rated for color rendering CRI >80, R9 >0 and fixture to fixture color accuracy within 2 SDCM.

Mounting

Surface: Fixture is mounted flush to surface using hidden brackets at ends and joints.

Approvals

Certified to UL, CSA and IES standards. Certain suspended indirect/direct versions are DesignLights Consortium® qualified. Please see the DLC QPL list for exact catalog numbers (www.designlights.org/QPL).

Warranty

Signify indoor professional luminaires 5 year LED warranty: www.signify.com/warranties.

Environment

Rated for dry or damp locations in operating ambient temperatures 0-40°C (32-104°F). Certain luminaire components may be adversely affected by contaminants. Damage caused by sulfur, chlorine, petroleum based solutions or other contaminants in the area of operation are not covered under warranty. Not suitable for natatorium environments.

MicroSquare gen 2 linear surface

Photometrics

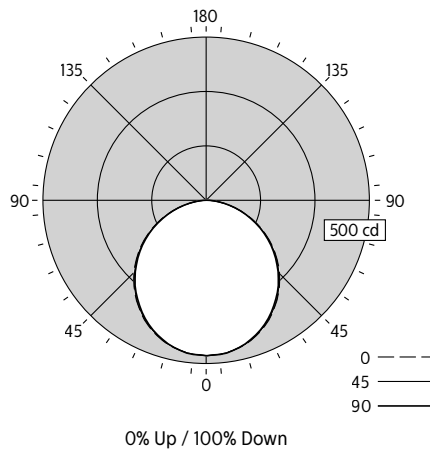
Direct Distribution (2211)

Spacing Criteria: 1.25/1.24

(Click "IES" text to Download)

Lumen Package	Nominal CRI & CCT	Flux (lm)	Watts (W)	Efficacy (LPW)	CRI	Distribution	RP-1 VDT	DLC*	IES File
2600 lm/4ft	80CRI, 4000K	2567	25.3	101.5	84	0% Up / 100% Down	N/A	N/A	IES
	80CRI, 3500K	2574	25.1	102.5	84	0% Up / 100% Down	N/A	N/A	IES
	80CRI, 3000K	2497	25.3	98.7	83	0% Up / 100% Down	N/A	N/A	IES
1300 lm/4ft	80CRI, 4000K	1340	13.3	100.8	84	0% Up / 100% Down	Critical spaces	N/A	IES
	80CRI, 3500K	1344	13.2	101.8	84	0% Up / 100% Down	Critical spaces	N/A	IES
	80CRI, 3000K	1303	13.3	98.0	84	0% Up / 100% Down	Critical spaces	N/A	IES

Flush Silk Lens (LN)



*Candela shown is for 1300 lm/4ft, 3500K, 80 CRI configuration.

