

Philips StyliD MINI / COMPACT

Installation instructions

Instructions de montage

Instrucciones de montaje

Kokoonpano- ja kiinnitysohjeet

Szerelési utasítások

Montageanleitung

Instrues de montagem

Montaj yönergesi

Návod k montáži

Montage instruktie

Monteringsinstruktioner

Οδηγίες εγκατάστασης

инструкция по монтажу

Instruzioni di montaggio

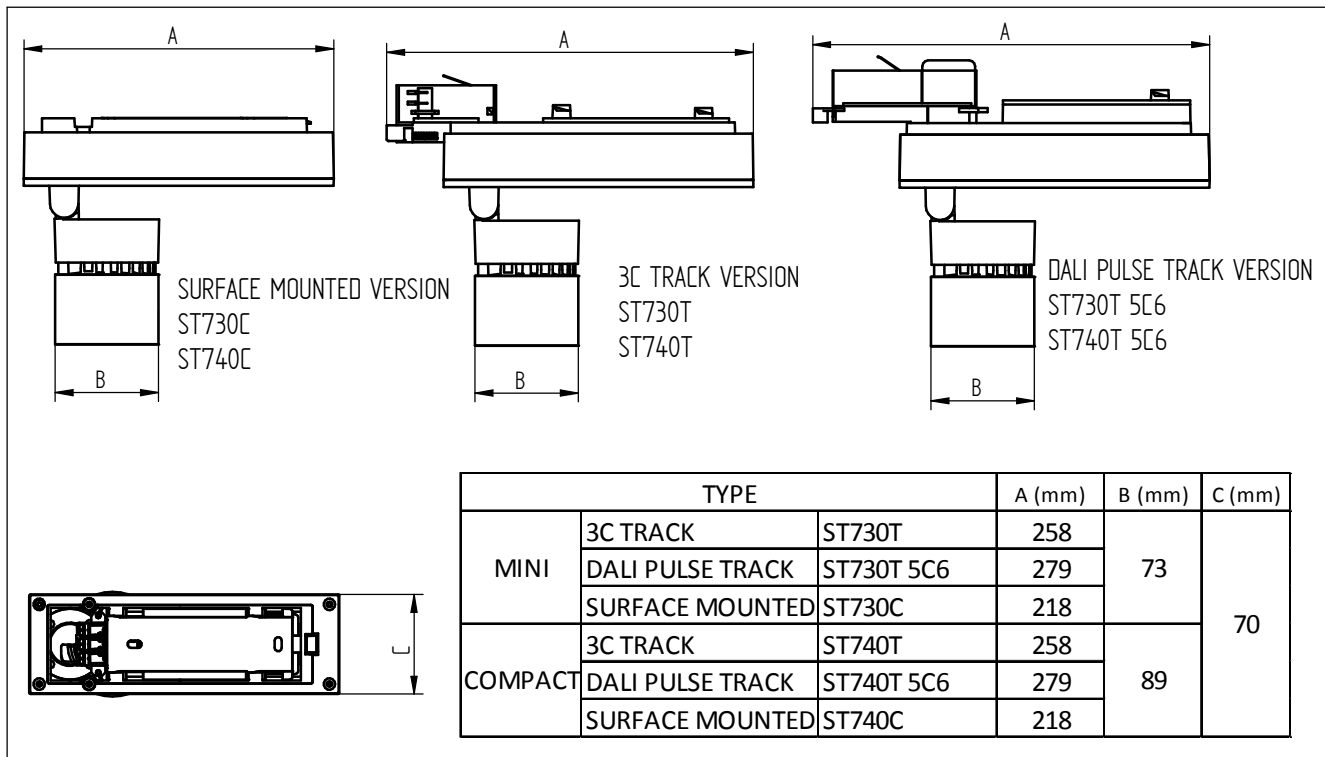
Monteringsvejledning

Instrukcja montazu

Návod k montáži



				BEAM ANGLE		
				NB	MB	WB
ST730C LED12S/CRW	0,8	15,8W	17W		•	•
ST730T LED12S/CRW	0,8	15,8W	17W		•	•
ST730C LED14S/CRW	0,8	19,4W	21W	•		
ST730T LED14S/CRW	0,8	19,4W	21W	•		
ST740C LED15S/CRW	1,1	19,4W	21W	•		
ST740T LED15S/CRW	1,1	19,4W	21W	•		
ST740C LED17S/CRW	1,1	21,8W	23,4W		•	•
ST740T LED17S/CRW	1,1	21,8W	23,4W		•	•
ST740C LED27S/CRW	1,1	35,2W	38W		•	•
ST740T LED27S/CRW	1,1	35,2W	38W		•	•



4443 160 07561

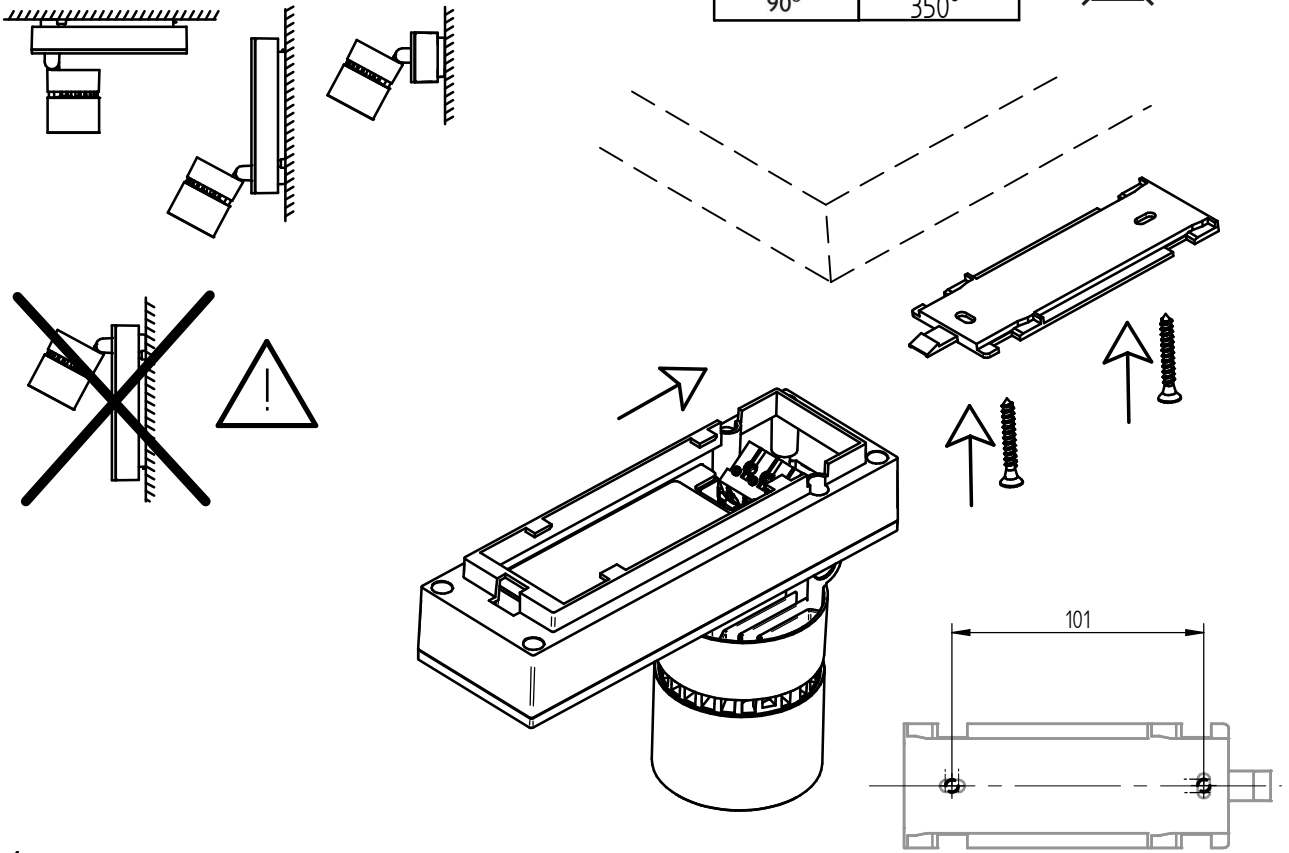
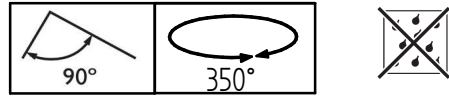
Version date : 21/10/2014

Data Subject to change without notice

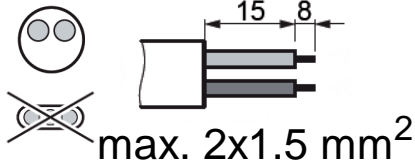
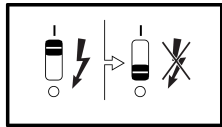
Printed in EU

www.philips.com/lighting

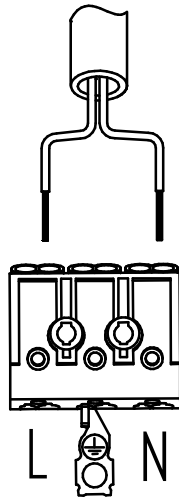
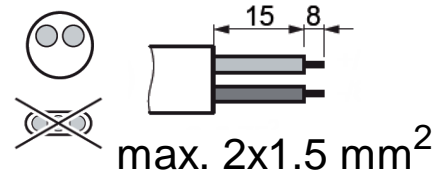
ST730C / ST740C INSTALLATION



1.

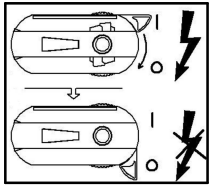
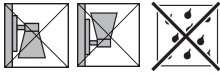


CABLE FOR PSD (DALI) DRIVER



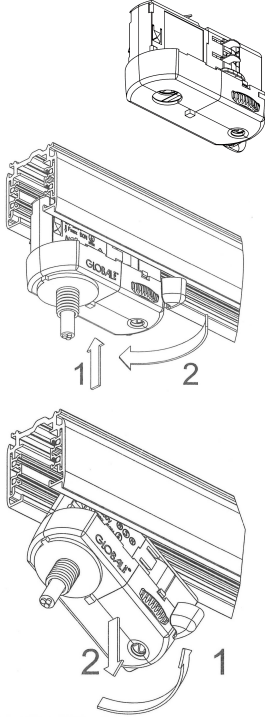
2.

ST730T / ST740T INSTALLATION

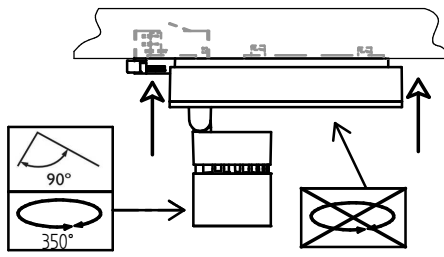


ST730T / ST740T

GA69

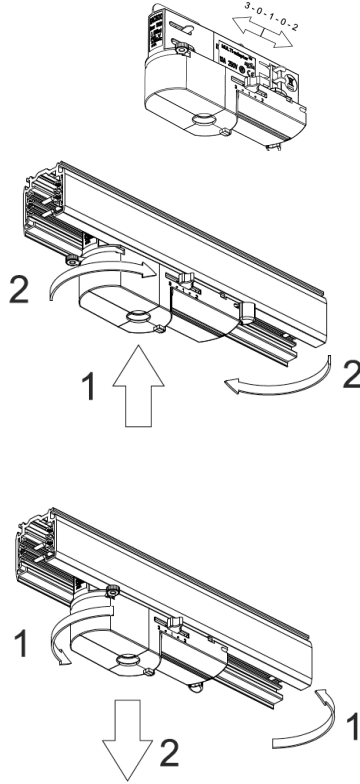


3.

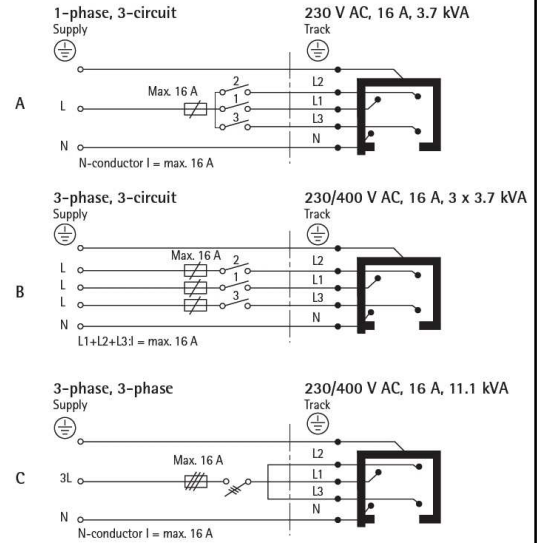


ST730T 5C6 / ST740T 5C6

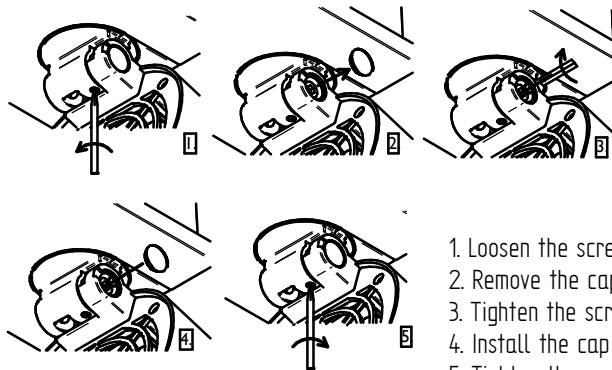
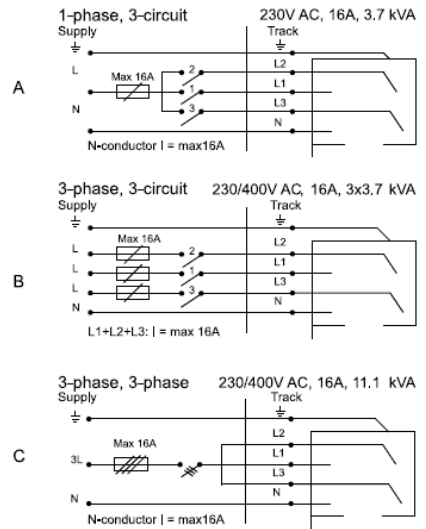
GAC 600



GLOBAL Trac Pro



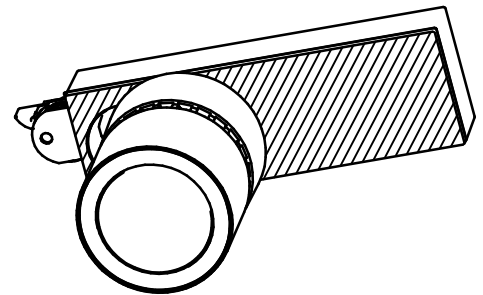
GLOBAL Trac Control PULSE

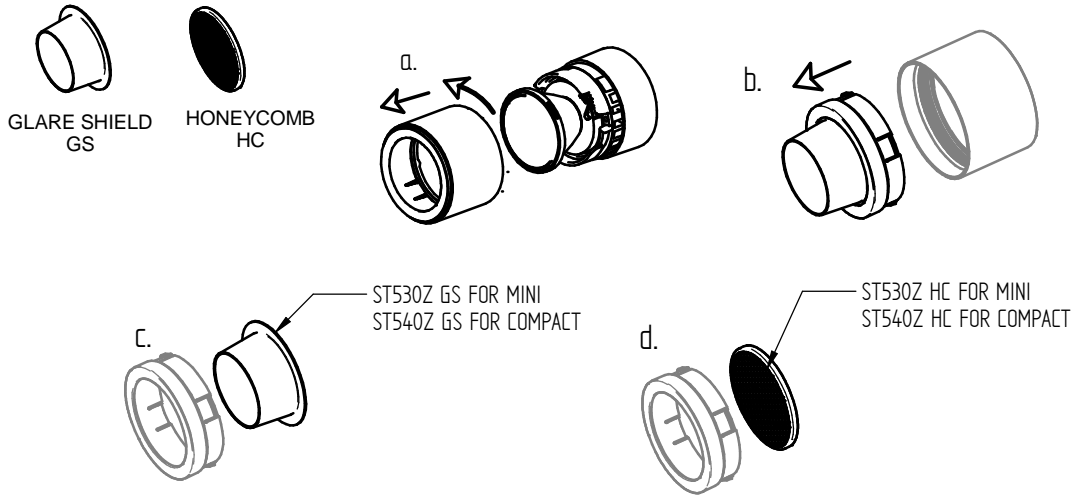


Rotation maintenance

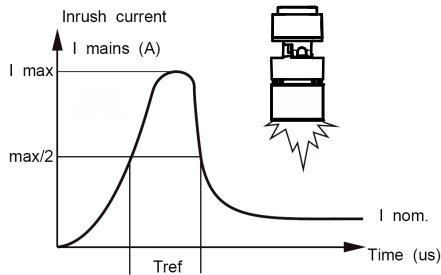
1. Loosen the screw M4 DIN915
2. Remove the cap
3. Tighten the screw M5 DIN 912
4. Install the cap
5. Tighten the screw

AFTER LUMINAIRE INSTALLATION PLEASE REMOVE PROTECTIVE FILM WHERE APPLICABLE:





4.



LED12S, LED14S, LED15S PSE-E Xitanium 36W LH 0.3-1A 48V I 230V		LED12S, LED14S, LED15S PSED-E Xitanium 20W LH 0.15-0.5A 48V TD/Is 230V	
Inom(A)	LED12S: 0,068	Inom(A)	LED12S: 0,068
	LED14S: 0,084		LED14S: 0,084
	LED15S: 0,085		LED15S: 0,085
Imax(A)	20	Imax(A)	16
Tref(ms)	0,25	Tref(ms)	0,22
MCB	Max Products*	MCB	Max Products*
B-10A	20	B-10A	15
B-16A	32	B-16A	24
C-10A	33	C-10A	24
C-16A	54	C-16A	40

LED17S PSE-E Xitanium 36W LH 0.3-1A 48V I 230V		LED17S PSED-E Xitanium 36W 0.3-1A 48V TD/I 230V	
Inom(A)	0,094	Inom(A)	0,094
Imax(A)	20	Imax(A)	5,3
Tref(ms)	0,25	Tref(ms)	0,7
MCB	Max Products*	MCB	Max Products*
B-10A	20	B-10A	15
B-16A	32	B-16A	24
C-10A	33	C-10A	24
C-16A	54	C-16A	40

LED27S PSE-E Xitanium 36W LH 0.3-1A 48V I 230V		LED27S PSED-E Xitanium 50W 0.7-1.5A 48V TD/I LH140	
Inom(A)	0,153	Inom(A)	0,153
Imax(A)	20	Imax(A)	5,3
Tref(ms)	0,25	Tref(ms)	0,7
MCB	Max Products*	MCB	Max Products*
B-10A	20	B-10A	18
B-16A	32	B-16A	30
C-10A	33	C-10A	31
C-16A	54	C-16A	51

*According to: IEC60555 test conditions

Philips StyliD PERFORMANCE

Installation instructions

Instructions de montage

Instrucciones de montaje

Kokoonpano- ja kiinnitysohjeet

Szerelési utasítások

Montageanleitung

Instrues de montagem

Montaj yönergesi

Návod k montáži

Montage instruktio

Monteringsinstruktioner

Οδηγίες εγκατάστασης

инструкция по монтажу

Instruzioni di montaggio

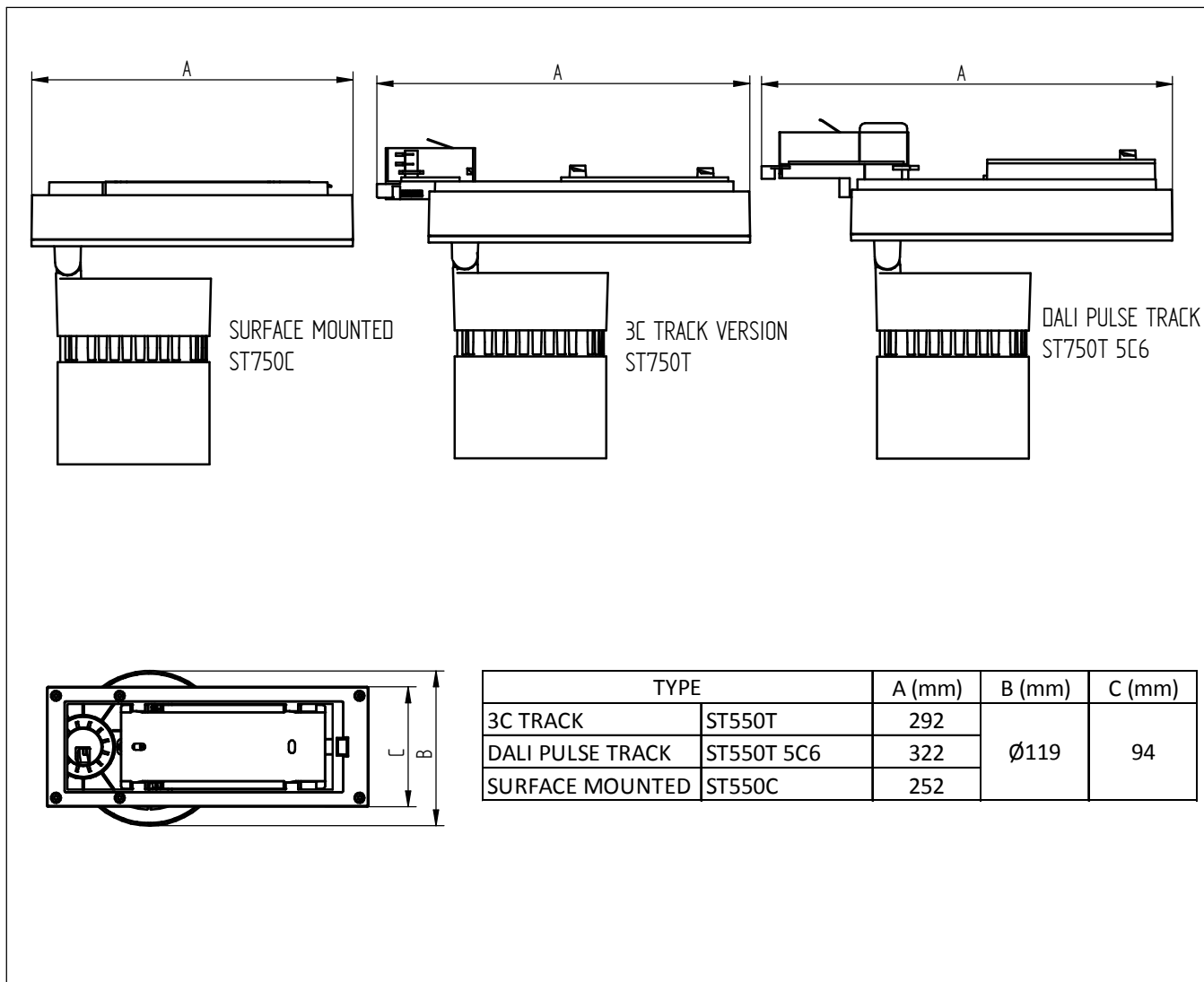
Monteringsvejledning

Instrukcja montazu

Návod k montáži



Type		P _{nom}	P _{max}		NB	BEAM ANGLE		
						MB	WB	VWB
ST750C LED26S/CRW	1,6	38,6W	40,8W	•	•			
ST750T LED26S/CRW	1,5	38,6W	40,8W		•			
ST750C LED39S/CRW	1,6	51W	54W	•		•	•	•
ST750T LED39S/CRW	1,5	51W	54W			•	•	•



TYPE		A (mm)	B (mm)	C (mm)
3C TRACK	ST550T	292	Ø119	94
DALI PULSE TRACK	ST550T 5C6	322		
SURFACE MOUNTED	ST550C	252		

4443 160 07571

Version date : 13/02/2014

Data Subject to change without notice

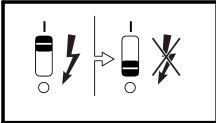
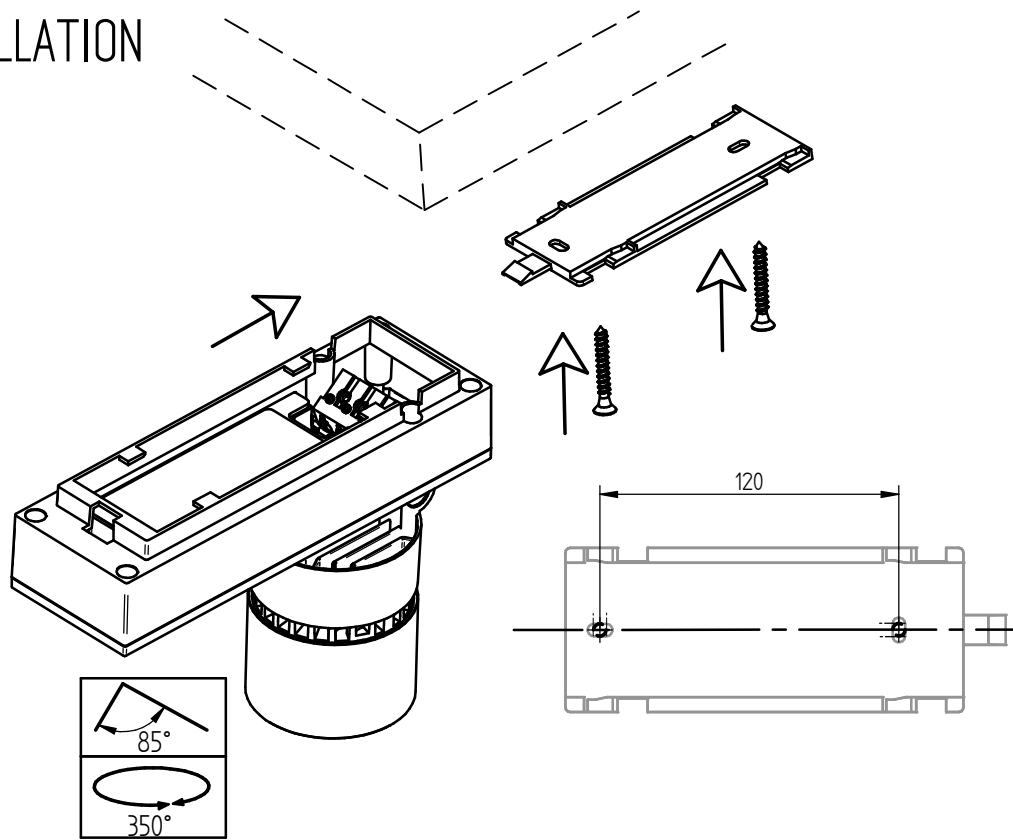
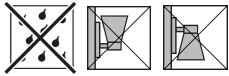
Printed in EU

www.philips.com/lighting

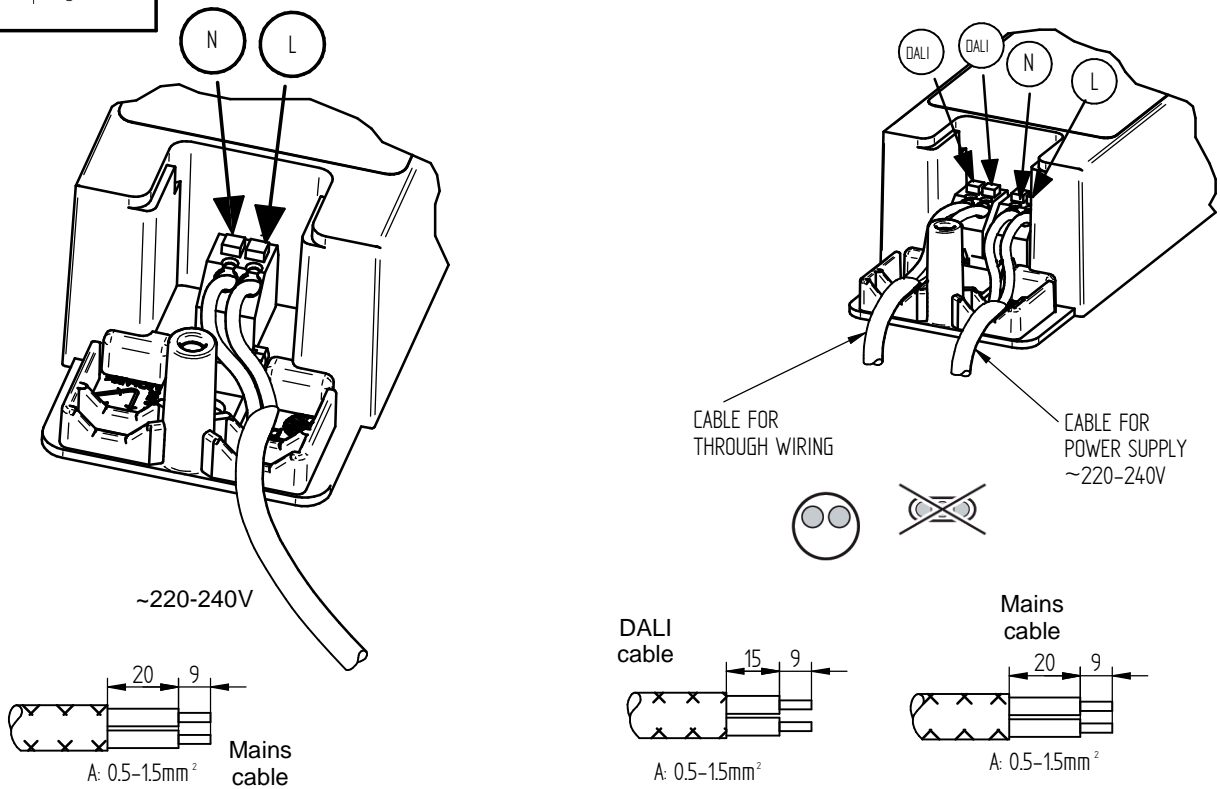
-1-

PHILIPS

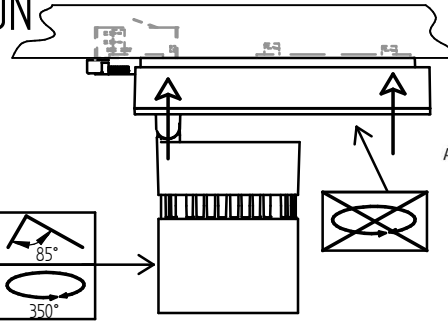
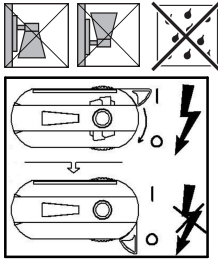
ST750C INSTALLATION



Wirings for PSE and PSED drivers

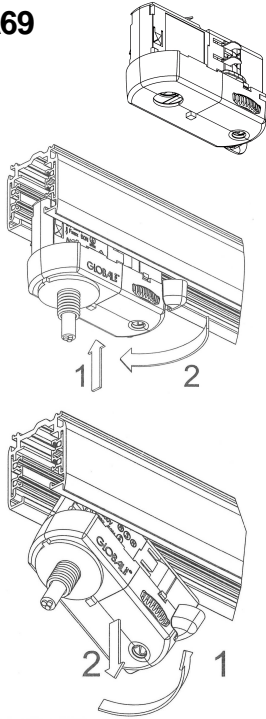


ST750T INSTALLATION



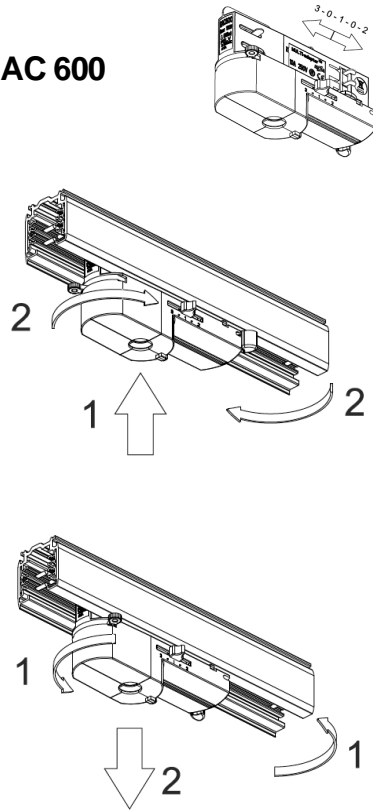
ST750T

GA69



DALI TRACK ADAPTER ST750T 5C6

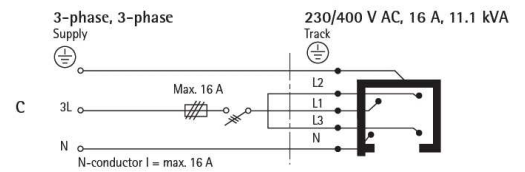
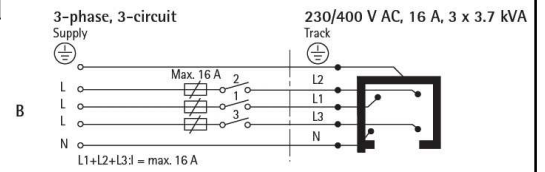
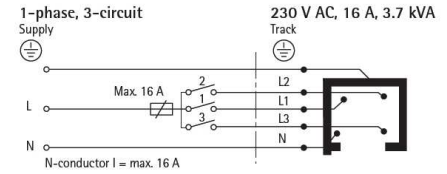
GAC 600



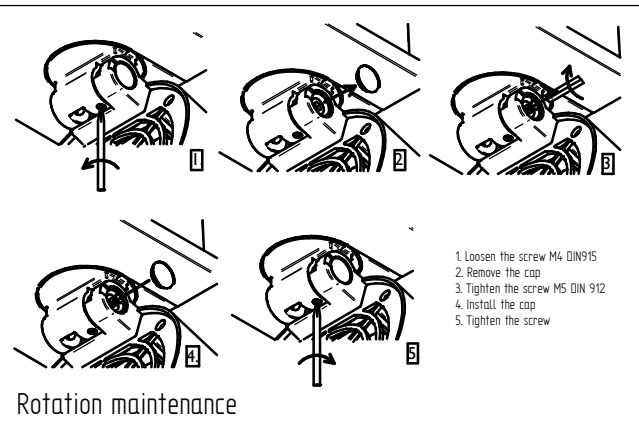
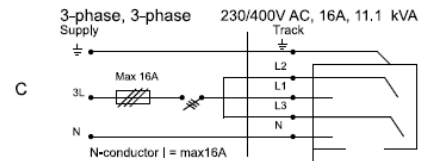
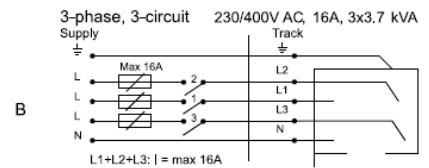
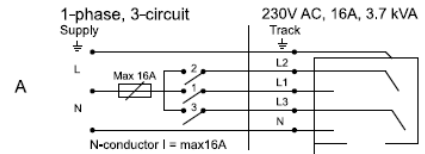
GAC 600 dali 1A 50V FELV



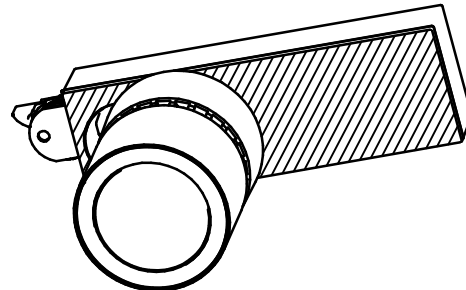
GLOBAL Trac Pro

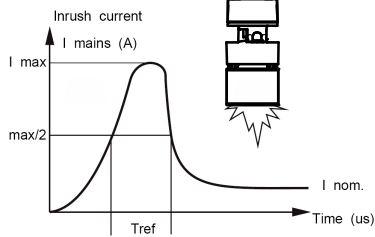
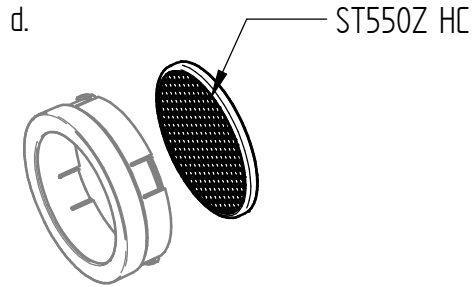
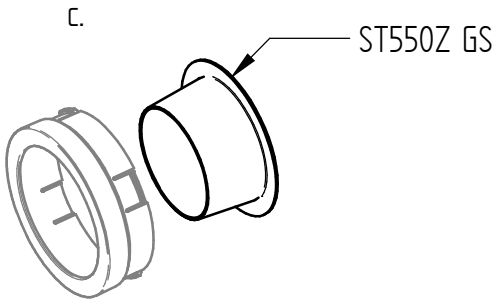
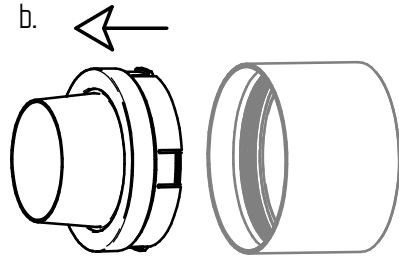
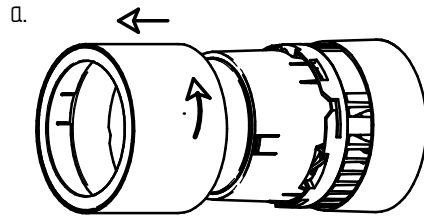


GLOBAL Trac Control PULSE



AFTER LUMINAIRE INSTALLATION PLEASE REMOVE PROTECTIVE FILM WHERE APPLICABLE:





LED26S PSE Xitanium 50W SH 0.3-1A 62V I 230V		LED26S PSED Xitanium 36W 0.3-1A 48V TD/I 230V	
Inom(A)	0,167	Inom(A)	0,167
I _{max} (A)	20	I _{max} (A)	5,3
Tref(ms)	0,275	Tref(ms)	0,7
MCB	Max Products*	MCB	Max Products*
B-10A	16	B-10A	15
B-16A	26	B-16A	24
C-10A	27	C-10A	24
C-16A	44	C-16A	40

LED39S PSE/PSED Xitanium 50W 0.7-1.5A 48V TD/I LH140	
Inom(A)	0,221
I _{max} (A)	5,3
Tref(ms)	0,7
MCB	Max Products*
B-10A	18
B-16A	30
C-10A	31
C-16A	51

*According to: IEC60555 test conditions