

# PHILIPS Ocean Led Bollard BGP708

220V  
240V



IEC  
EN60598

IP66



Ta  
Max.  
25°C

IK08

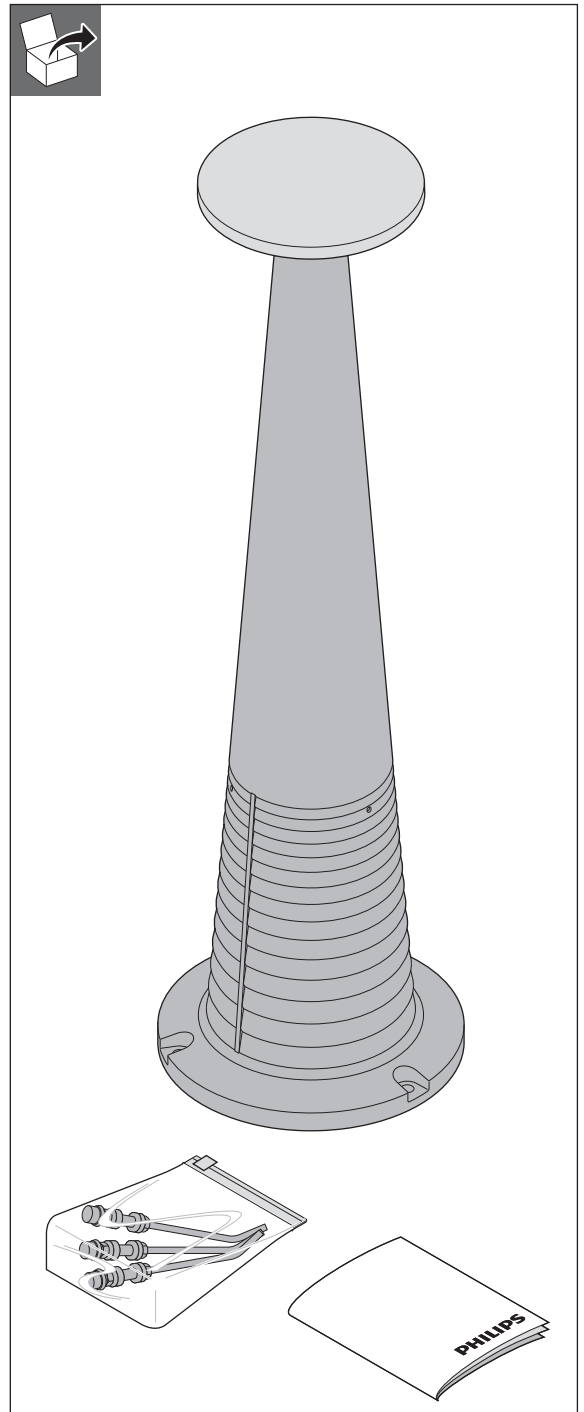
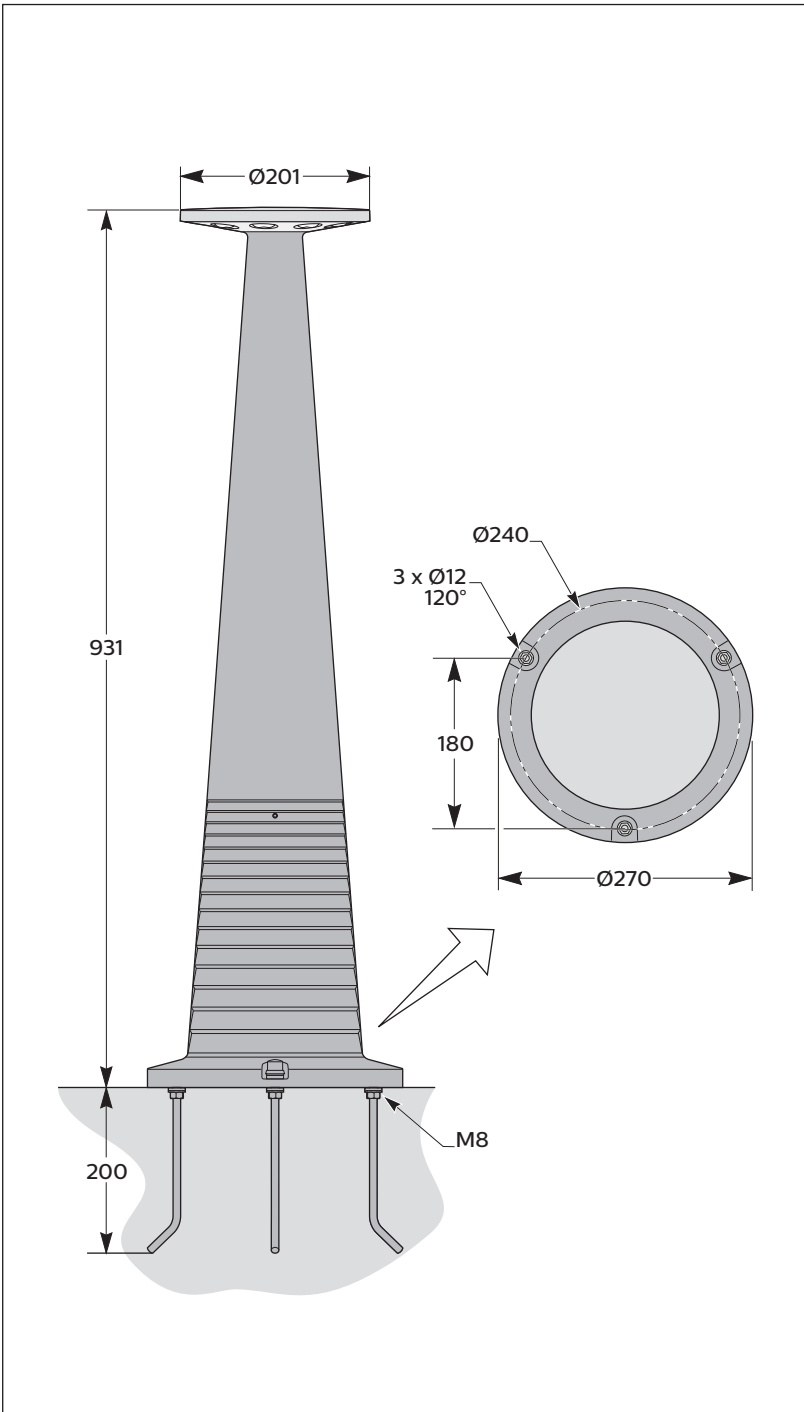


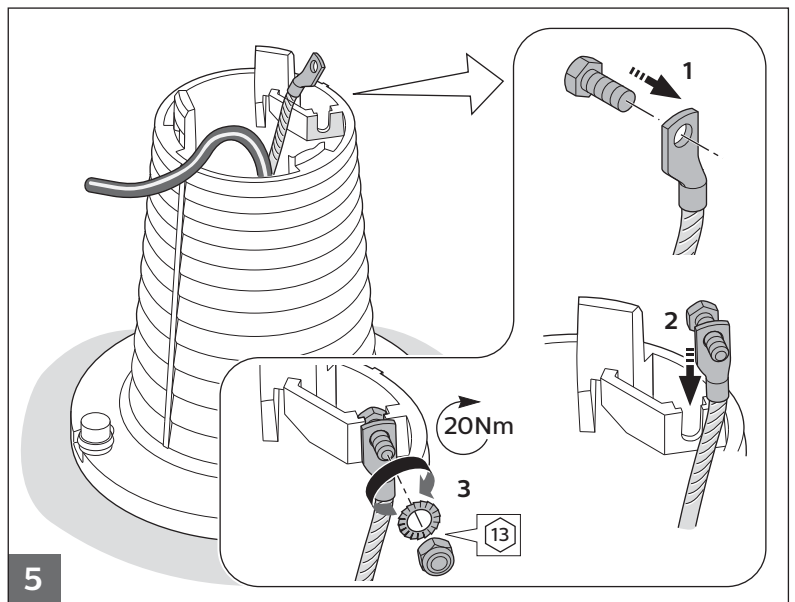
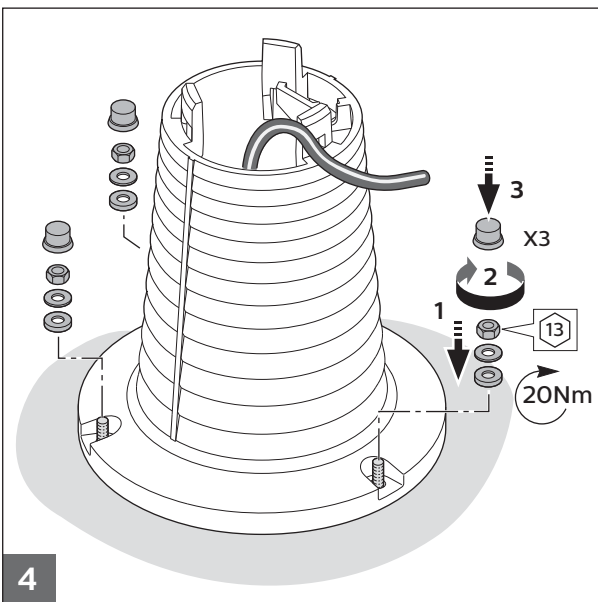
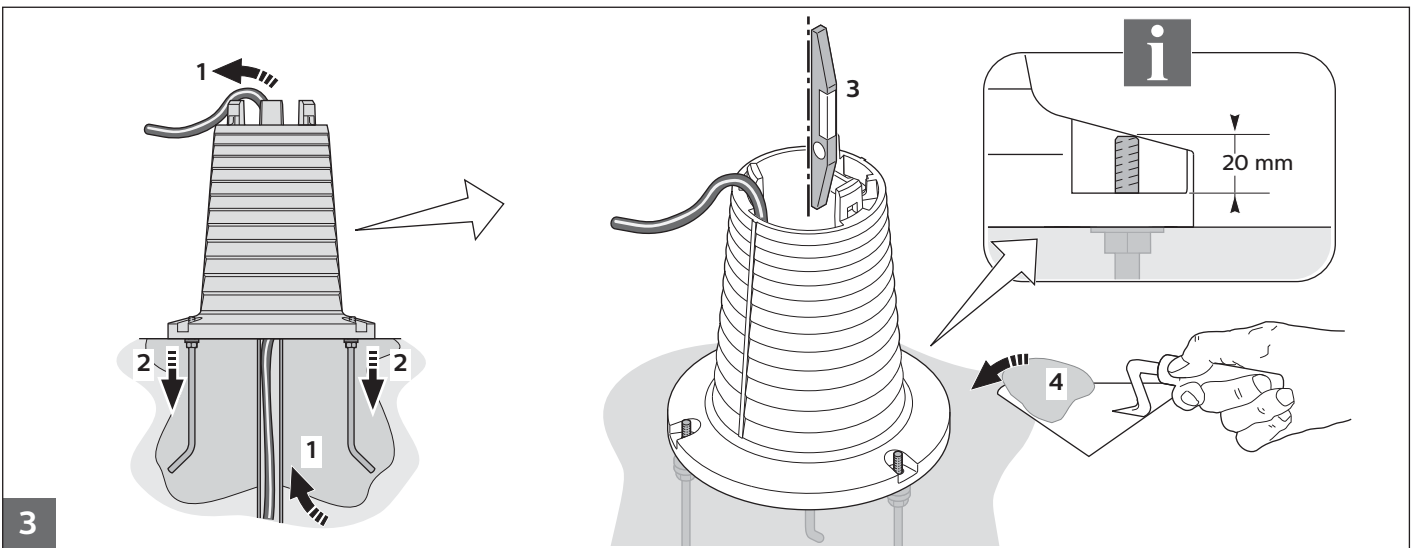
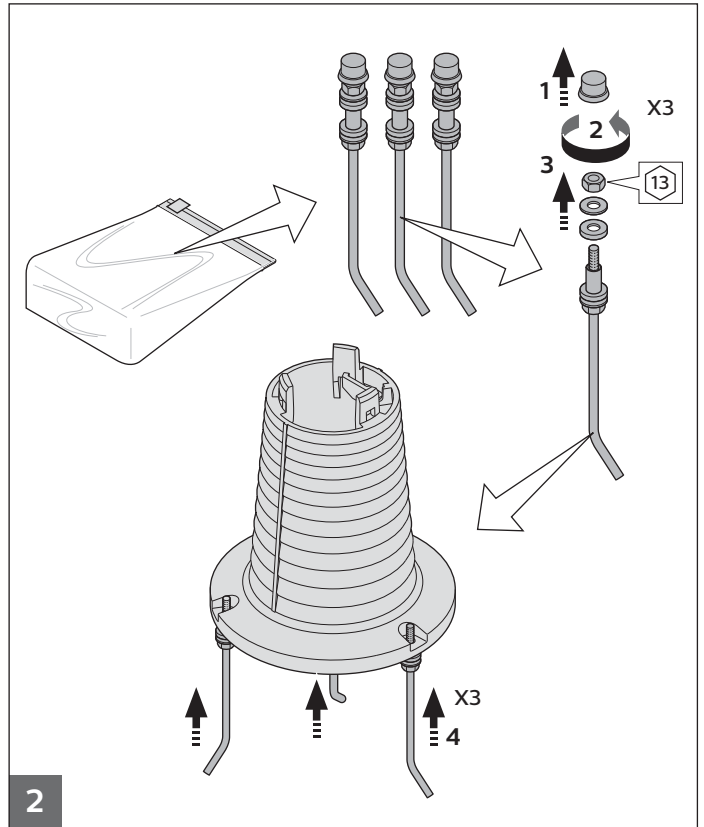
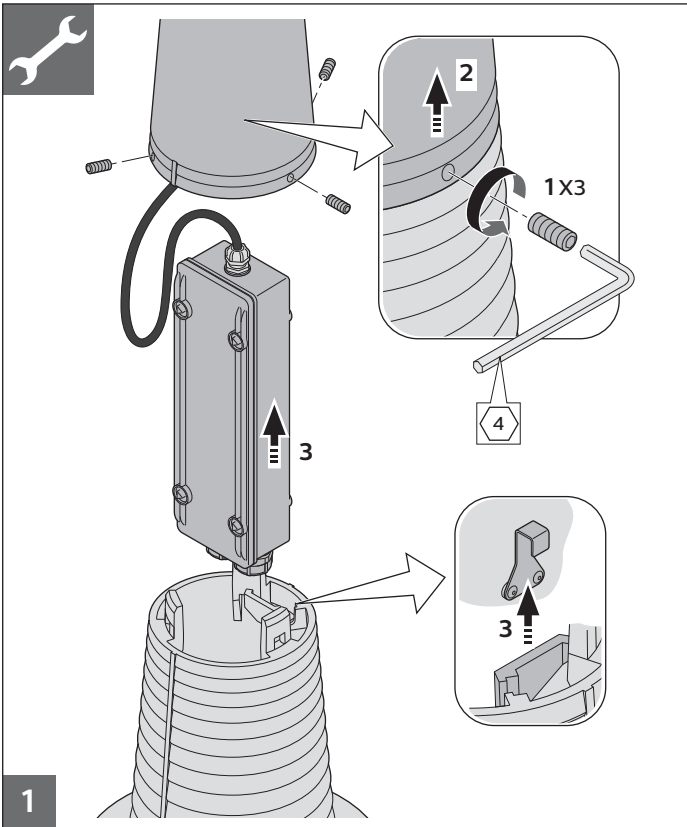
W  
+/-10%

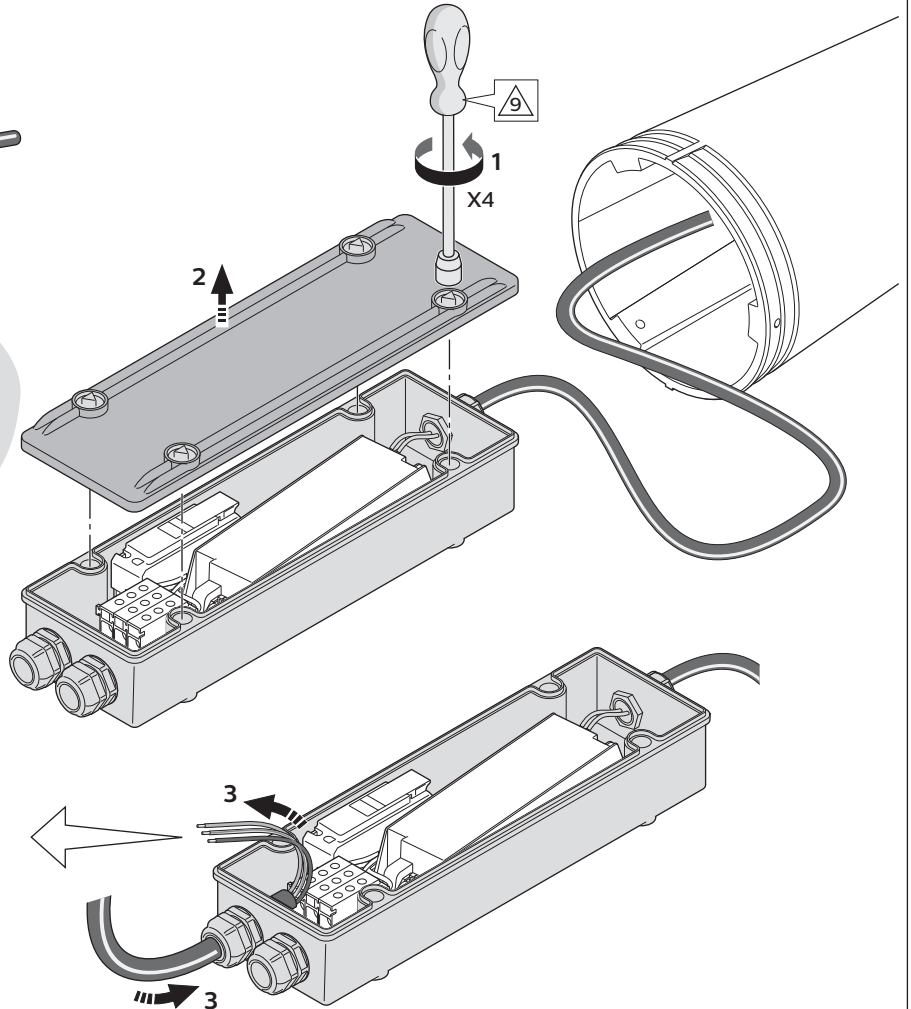
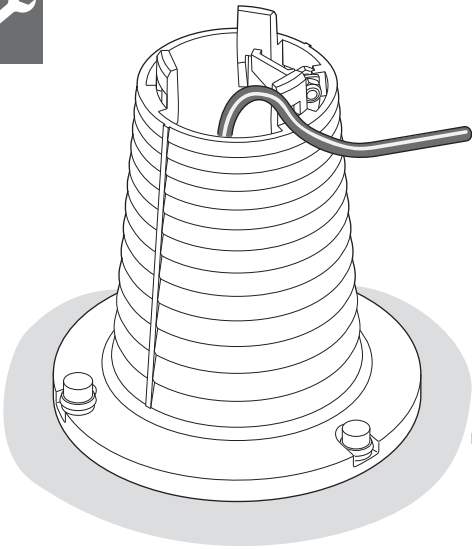


740	GRN10	10	8.5	23
740	ECO18	17	8.5	23
830	GRN9	10	8.5	23
830	ECO17	17	8.5	23

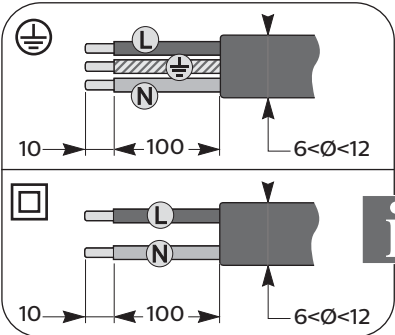
\*Maxi number of luminaire on MCB 16A type B



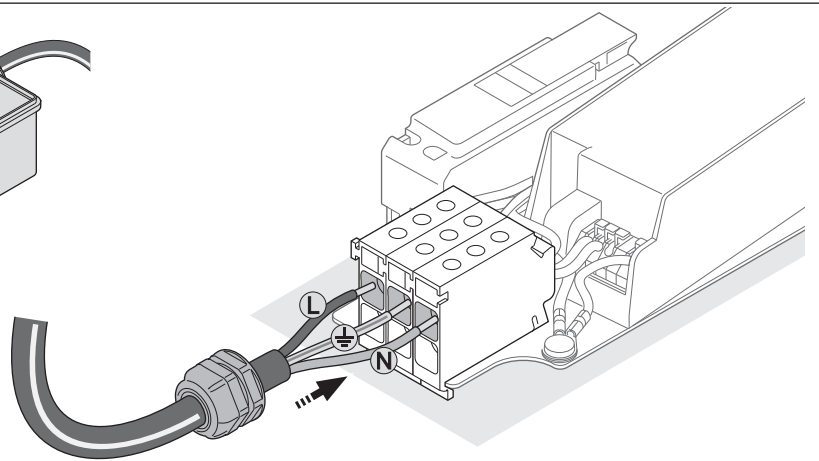
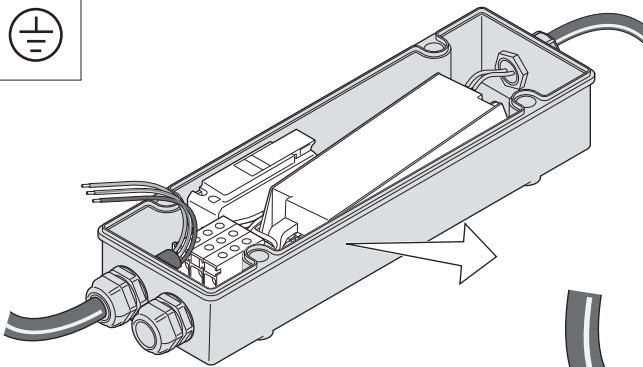




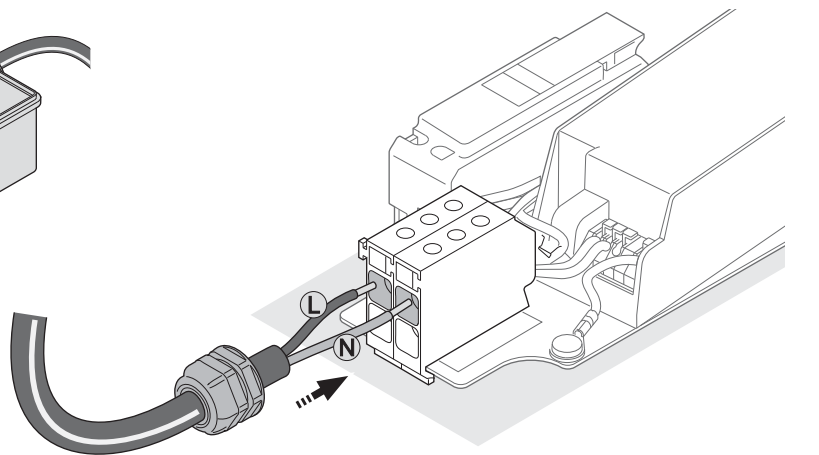
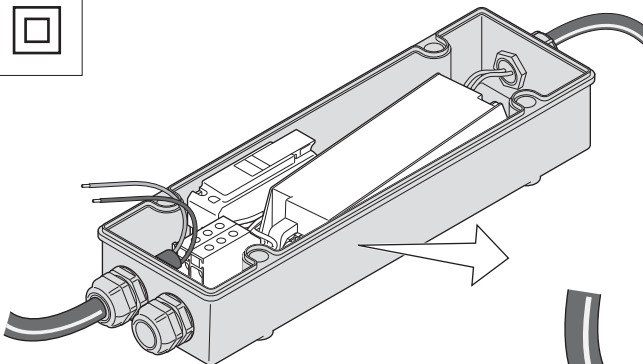
220-240V 50/60Hz



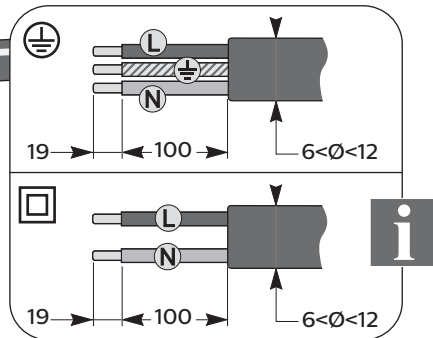
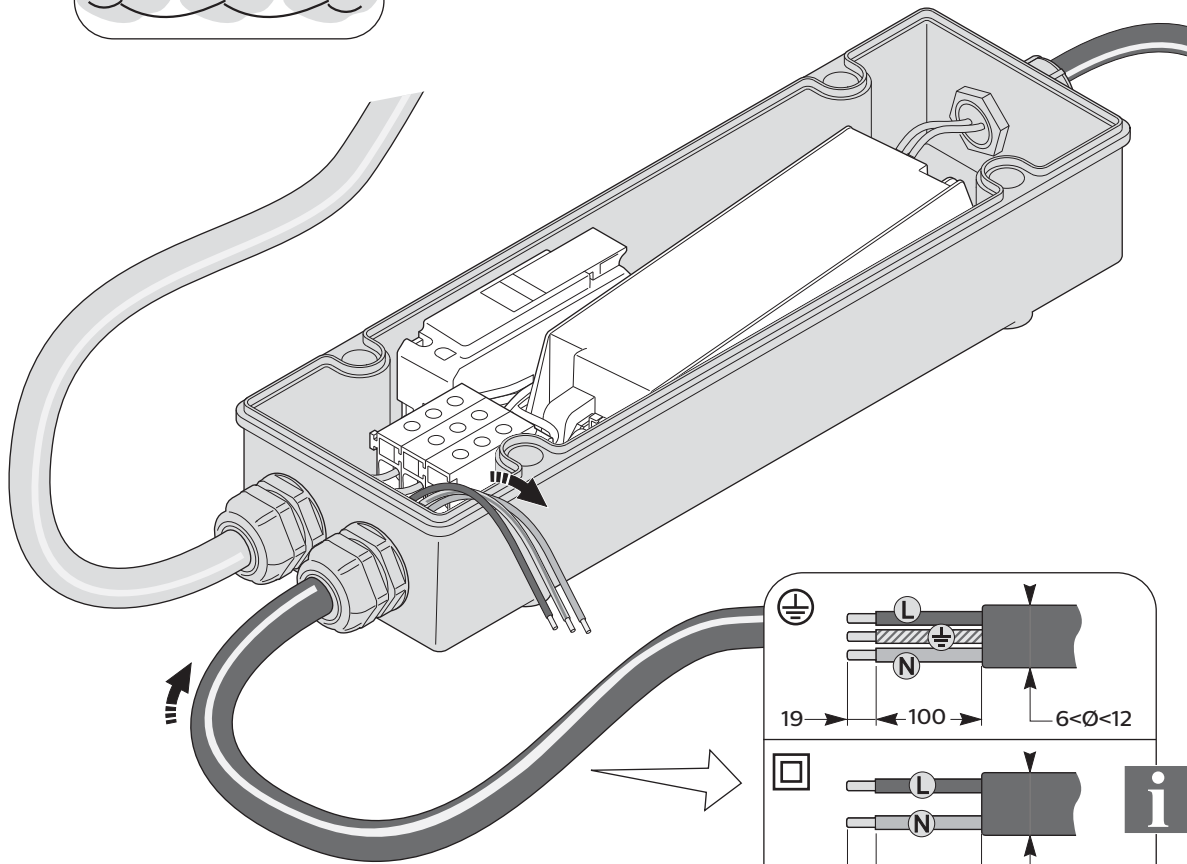
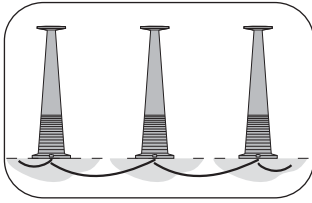
6



7a

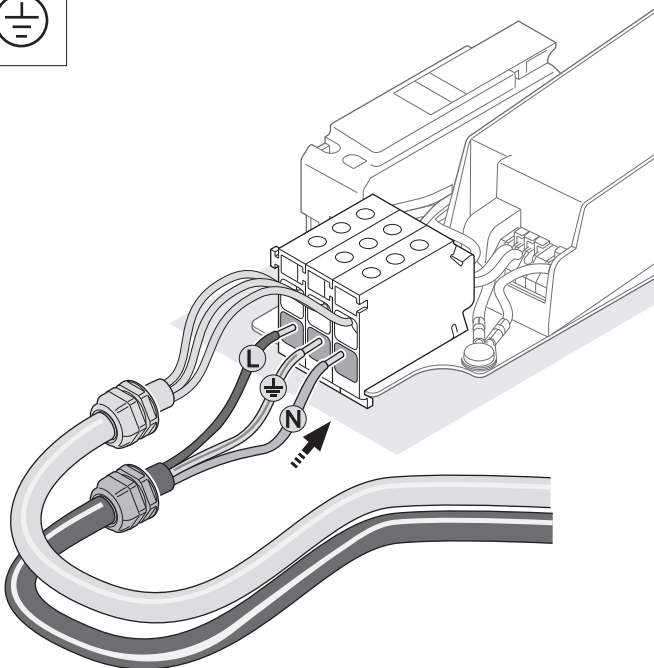


7b

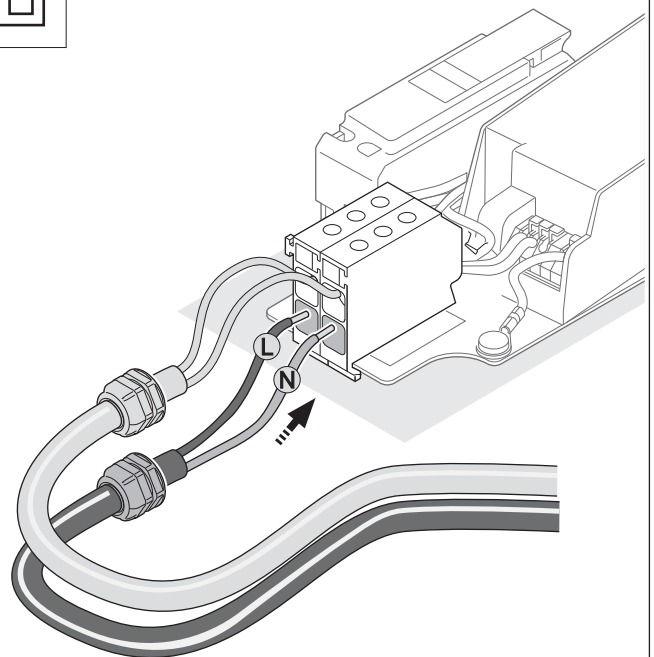


220-240V 50/60Hz

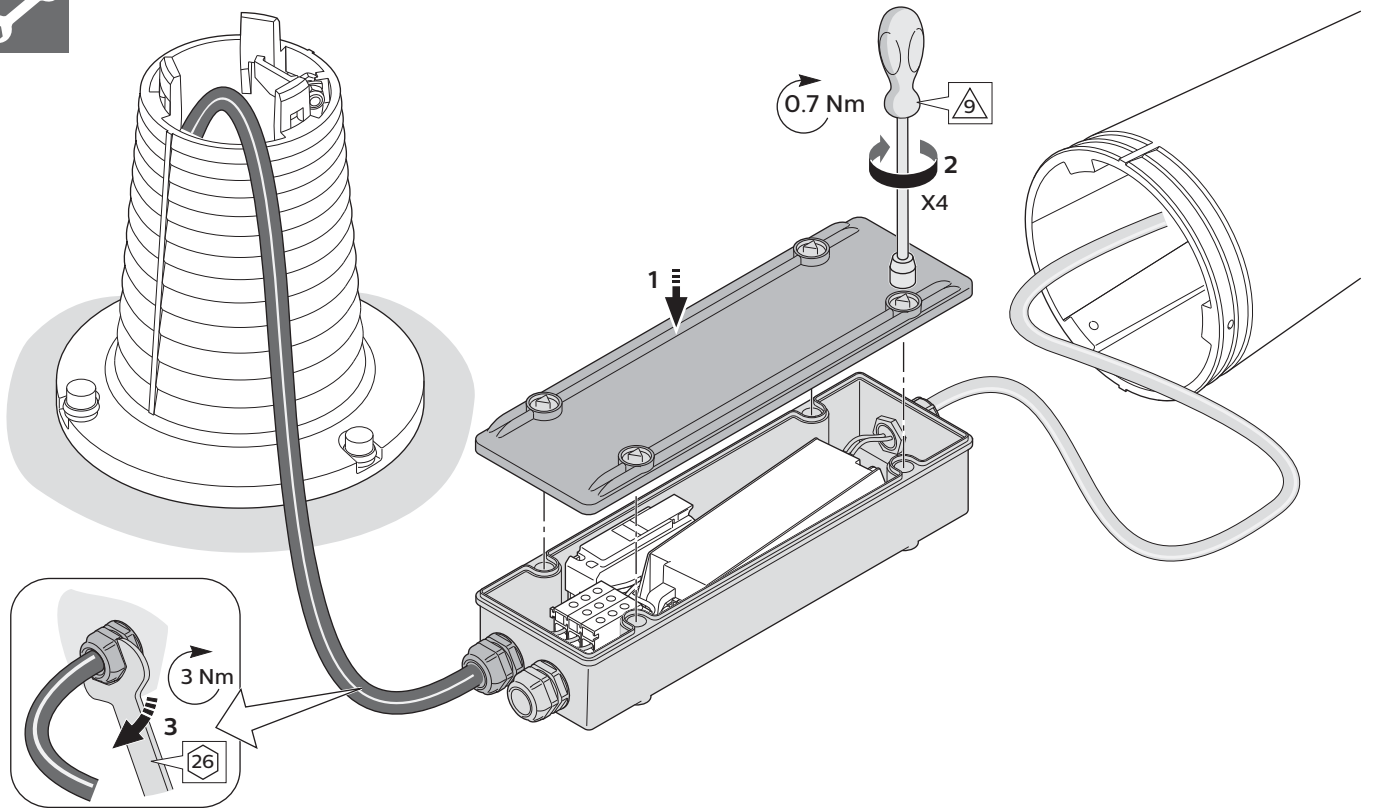
8a



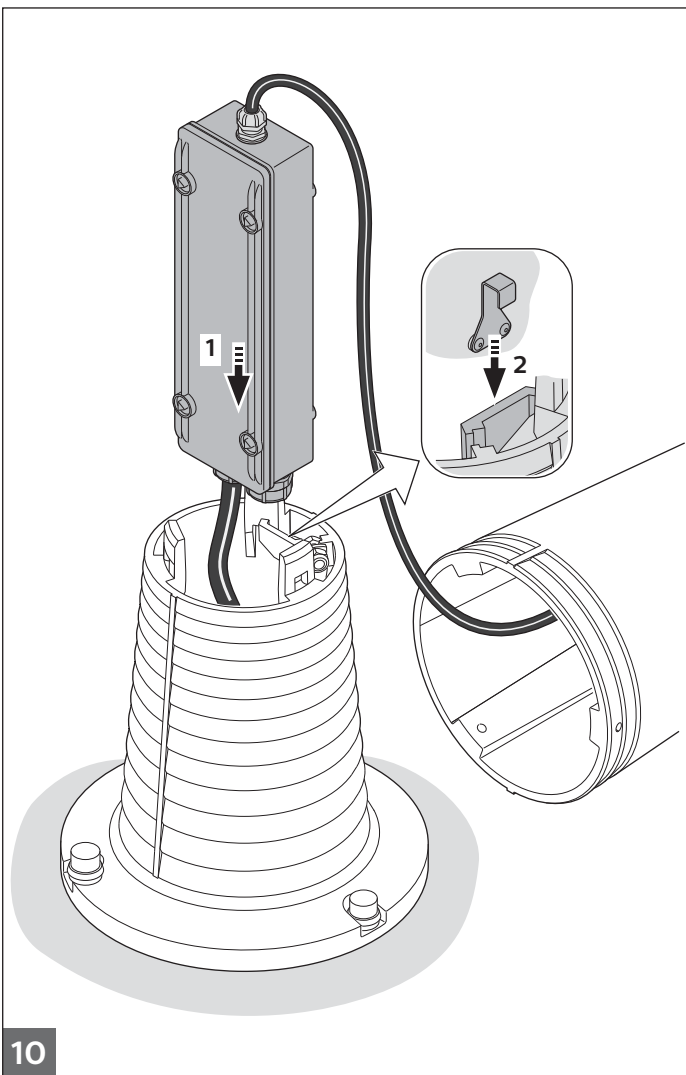
8b



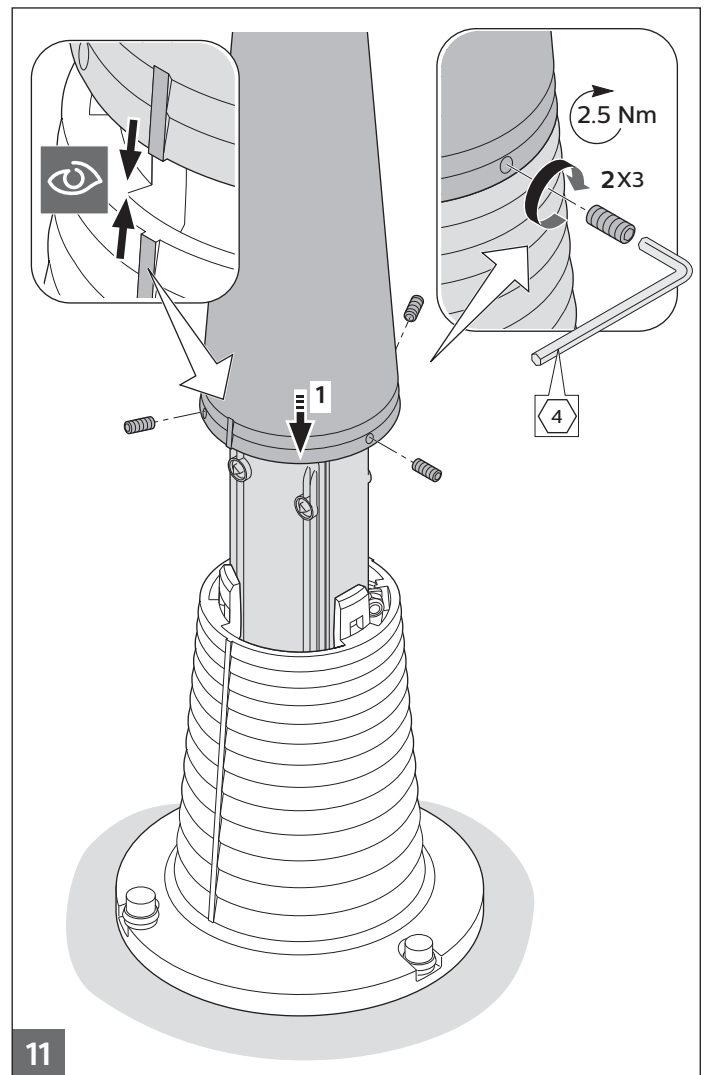
8c



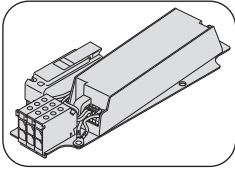
9



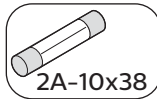
10



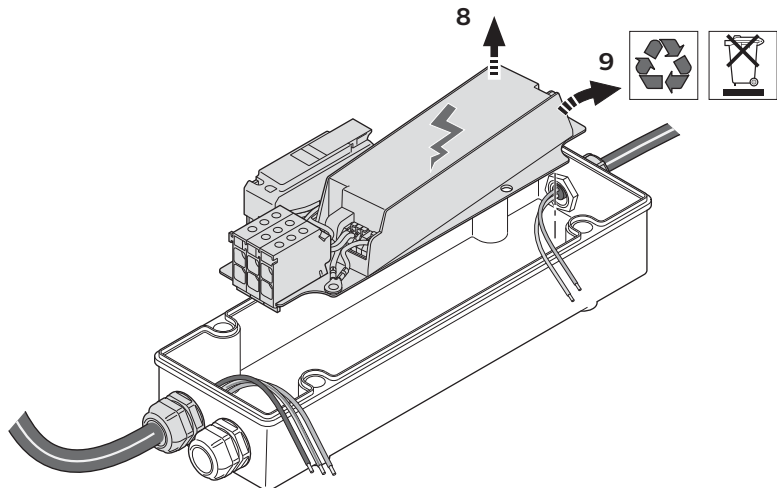
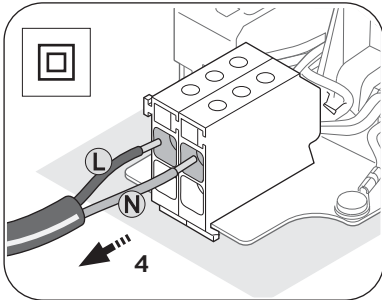
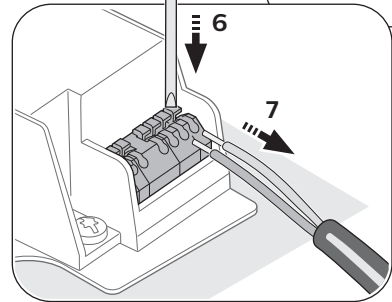
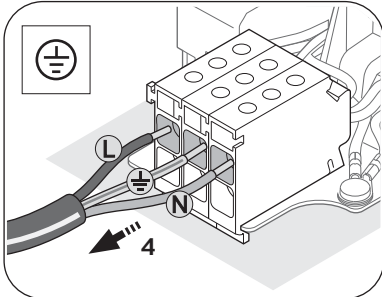
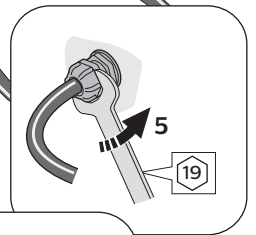
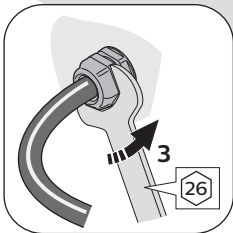
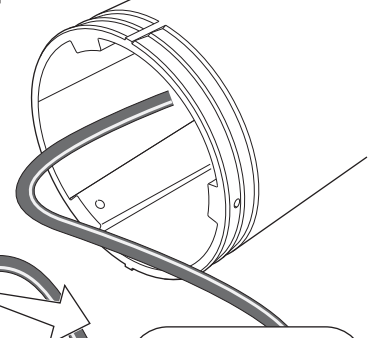
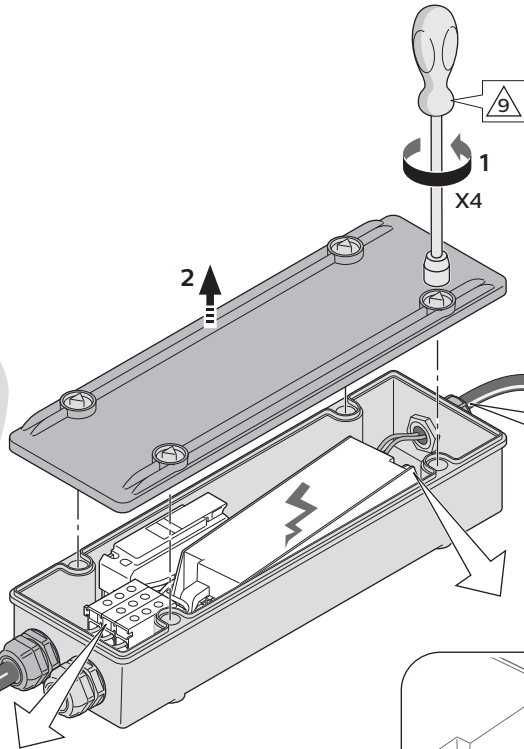
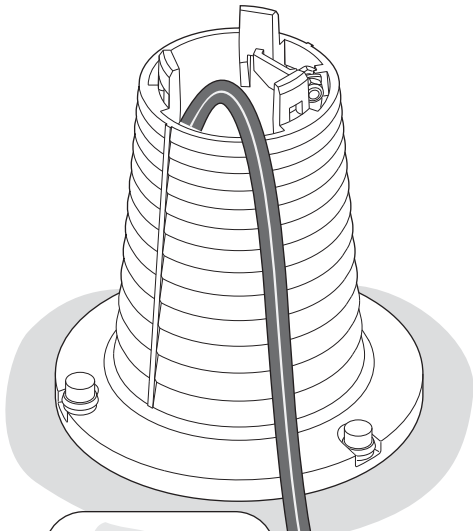
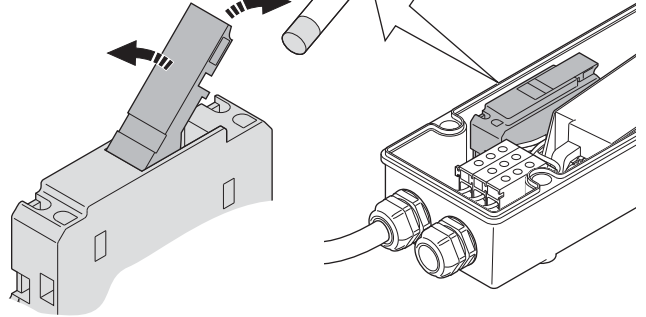
11



Disconnect before servicing  
 Mettre hors tension avant intervention  
 Öffnen nur spannungsfrei  
 Demontieren voor onderhoud  
 Togliere tensione prima di fare manutenzione  
 Desconectar antes de manipular  
 Bryt strömmen före lampbyte



2A-10x38







© 2016 Koninklijke Philips N.V.

All rights reserved. Reproduction in whole or in part is prohibited without the prior written consent of the copyright owner. The information presented in this document does not form part of any quotation or contract, is believed to be accurate and reliable and may be changed without notice. No liability will be accepted by the publisher for any consequence of its use. Publication thereof does not convey nor imply any license under patent - or other industrial or intellectual property rights.

Philips Lighting B.V.  
The Netherlands