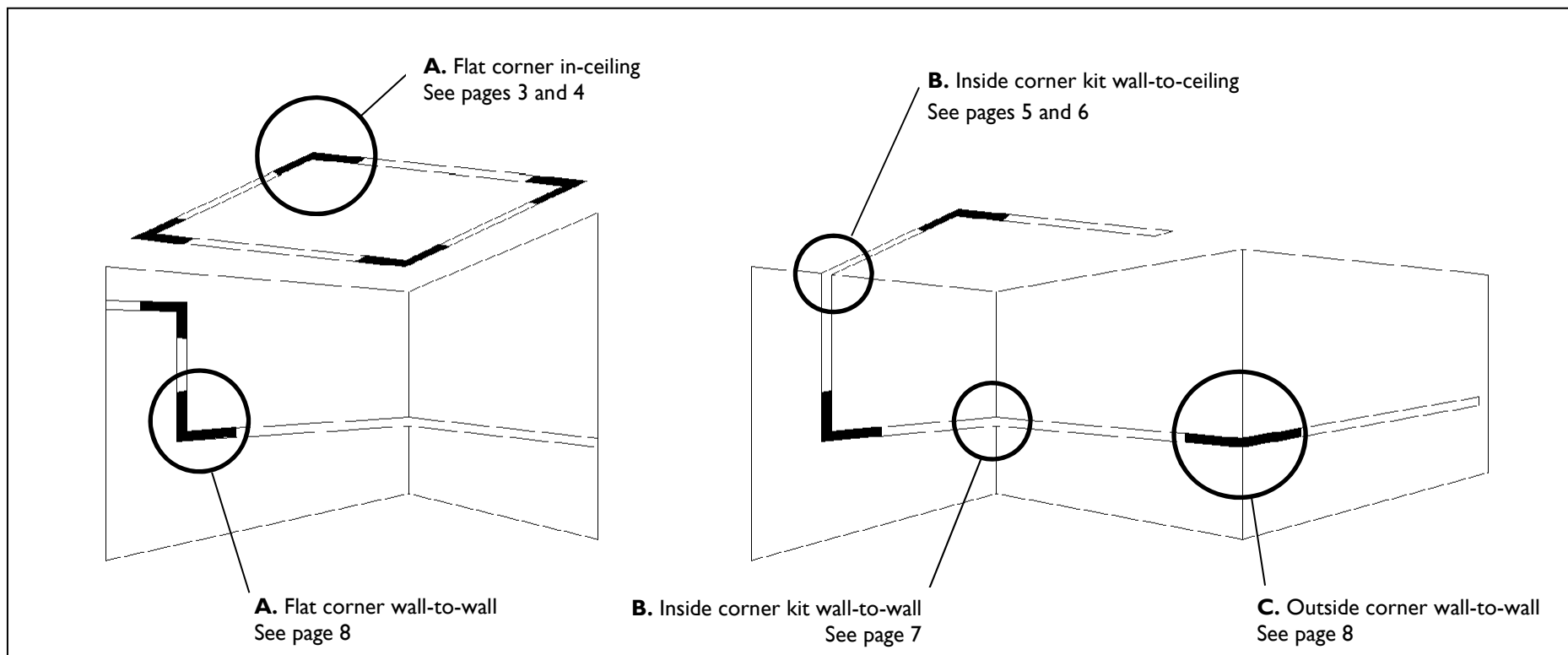


### System Overview

These instructions review how to install drywall versions of TruGroove recessed corners. Please refer to layout drawings supplied by Philips Ledalite with these installation instructions. These instructions must be used in conjunction with TruGroove Drywall Ceiling Standalone and Continuous Run Installation Instructions. The graphics below show the corner types available and steps required to correctly install TruGroove corners in drywall ceilings or walls. These instructions apply to trim and trimless TruGroove product configurations.



### Corner Type Detail

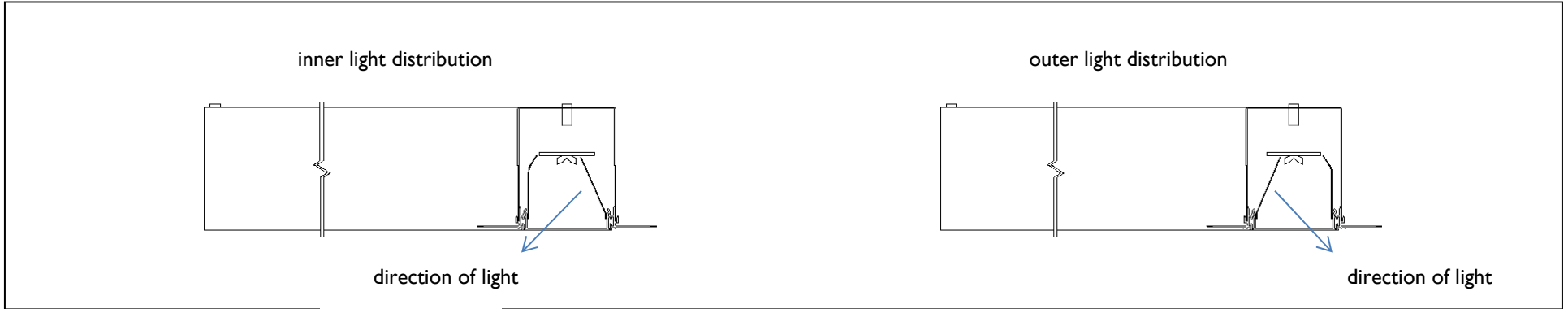
- A. Flat corner:** in-ceiling option available in trim and trimless configurations. Wall-to-wall option available in trimless configuration only.
- B. Inside corner:** for wall-to-ceiling and wall-to-wall installation, available in trimless configuration only.
- C. Outside corner:** for wall-to-wall installation, available in trimless configuration only.

**IMPORTANT INSTALLATION STEPS (TRIMLESS VERSION):** 1. Install required mounting brackets (if applicable) and power feed(s). 2. Install framing/blocking as per supplied layout drawings and instructions. 3. Install drywall. 4. Install all lighting fixtures. 5. Install corner bead(s) and tape. 6. Mud, sand and finish wall(s) and ceiling(s).

**! ATTENTION: Install in accordance with national and local building and electrical codes.**

Page

**Fixture Type Information:** TruGroove corners have 2 light distribution options. Follow the drawings below and refer to layout drawings for proper identification of specific fixture orientation and location. **IMPORTANT:** Identify each fixture type and location before installing any fixtures in ceiling or walls.

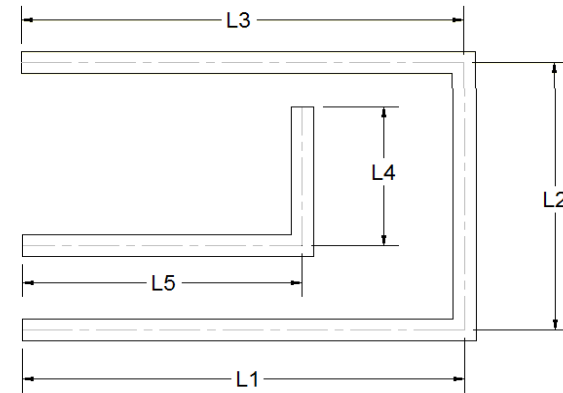
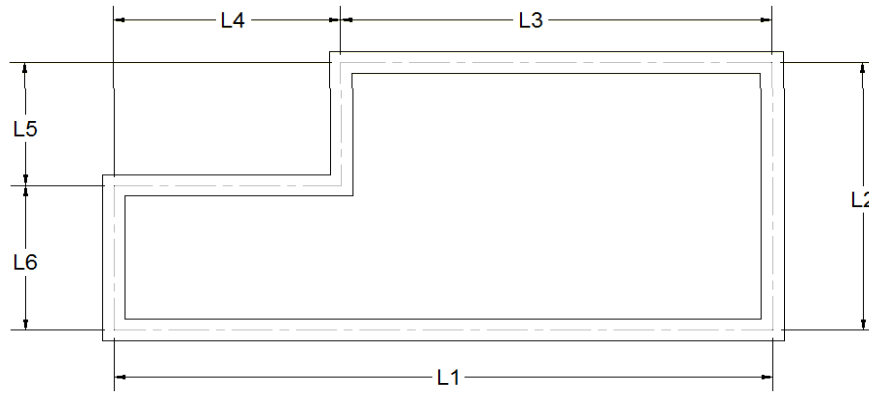


\*trimless corner housings shown

### Ceiling Cutout Information

**IMPORTANT:**

Continuous run ceiling and wall cutout dimensions shown below come from supplied layout drawings. Layout drawings for all patterns show dimensions to corner centers. Framing, ceiling and wall preparation must be done according to provided layout drawing pattern leg dimensions and detailed instructions on pages 3 and 4. For corner installation in wall, refer to instructions on pages 6, 7 and 8.



**! ATTENTION: Install in accordance with national and local building and electrical codes.**

Page

### Framing & Drywall

#### ! IMPORTANT

- “C” Channels (or equivalent) must be properly braced to ensure accuracy of cutout in drywall.
- Use appropriate tools to outline specified dimensions of ceiling cut-out to ensure straightness of cutting.
- Lens will not insert properly if fixture trim has mud or paint build-up.

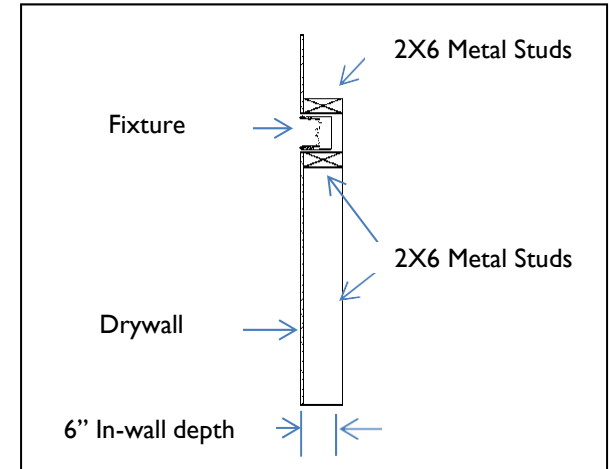
### Ceiling/Wall Cut-out Details



#### ! IMPORTANT

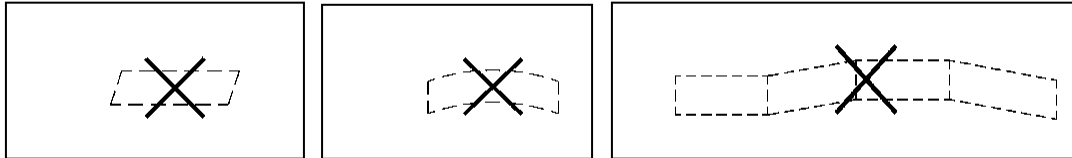
- The straightness and accuracy of the cut-out in the drywall is crucial in ensuring proper fit for the fixture.
- The cut-out **MUST** fall within the specified tolerances.

### Wall Framing



Wall construction requires the use of 2X6 metal studs (or equivalent) and a minimum in-wall depth of 6”.

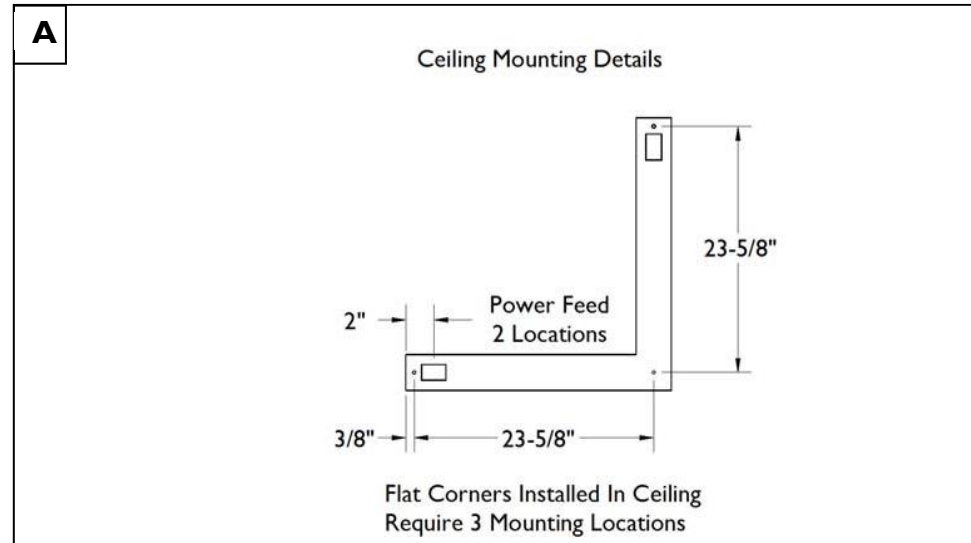
### AVOID



### Corner Type ‘A’: Flat Corner In-Ceiling

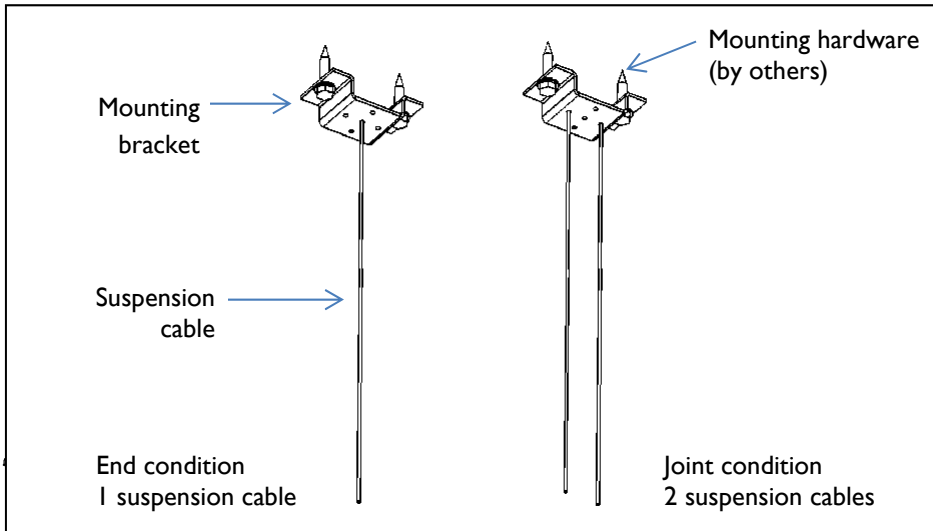
For continuous run fixtures, the cut-out in the drywall ceiling should be measured and cut as shown on pages 3 and 4. Refer to Drywall Ceiling Standalone and Continuous Run Installation Instructions for fixture mounting location details.

Determine corner location and refer to figure A for specific in-ceiling corner mounting dimensions.



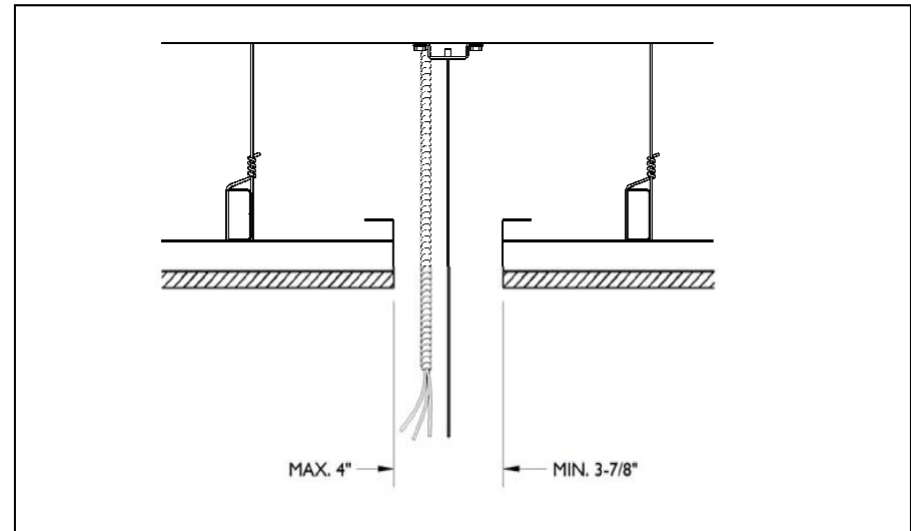
**! ATTENTION: Install in accordance with national and local building and electrical codes.**

### 1. Install Mounts and Power Cables



Install mounting brackets, suspension cables and power cables at required locations. Use one bracket and one suspension cable at end condition. Use one bracket and 2 suspension cables at a joint condition. Mounting bracket must be centered above fixture joint. NOTE: Mounting hardware by others.

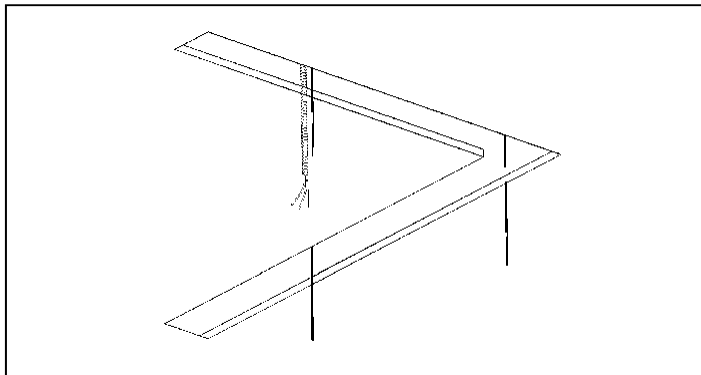
### 2. Install Framing and Drywall



Install 'C' channel along full fixture perimeter to cutout specified drywall and cut opening to dimensions shown.

**IMPORTANT:** See details on page 3 for proper fixture and corner fit.

### 3. Finish Ceiling Preparation



After drywall is installed, check that fixture opening is straight and that it meets required dimensions of minimum 3-7/8" to maximum 4".

### 4. Prepare Fixtures/Reference Layout Drawings

Arrange boxed fixtures on floor in specified mounting locations, based on supplied layout drawings. Match up each fixture based on the spec. tag and ID number labeled on each box for the specified run.

### 5. Install Corners and Fixtures

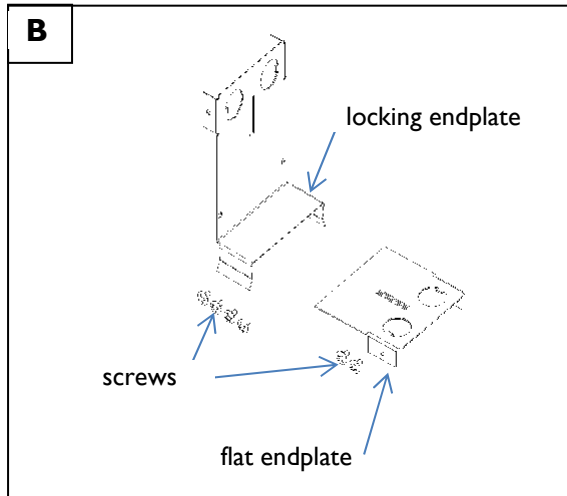
Follow TruGroove Drywall Ceiling Standalone and Continuous Run Installation Instructions.

Installation Tip: Begin installation by suspending corner unit first and work outwards to complete a continuous run.

### Corner Type 'B': Inside Corner Wall-to-Ceiling or Wall-to-Wall

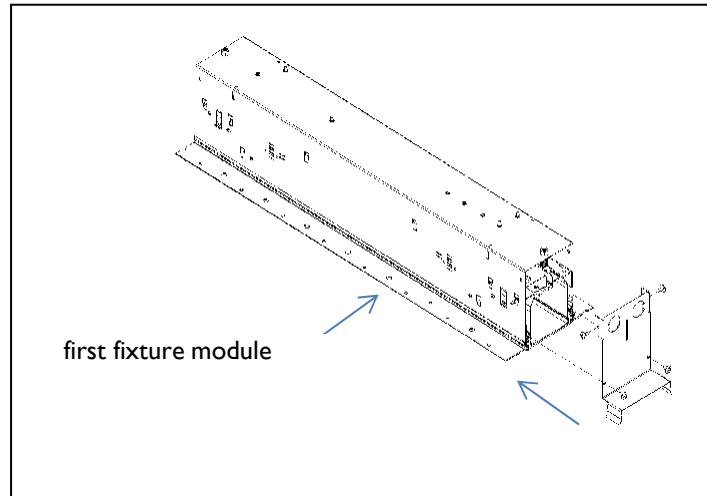
Inside corner installation in wall-to-ceiling and wall-to-wall configurations require the use and installation of inside corner kit components shown in figure B below.

#### Inside Corner Kit



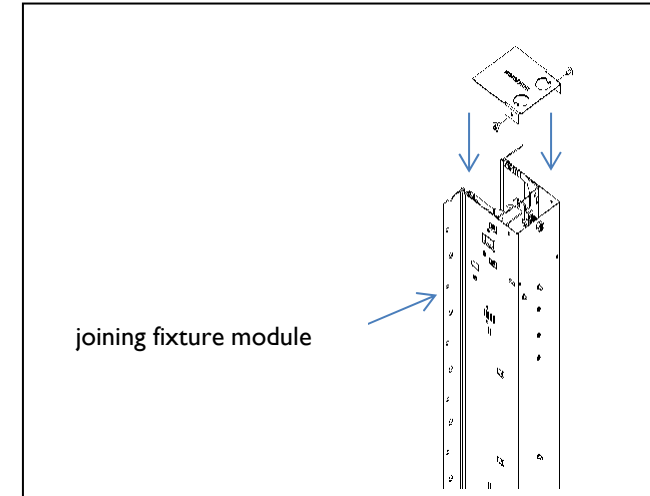
Inside corner kit parts: locking endplate, flat endplate, 6 screws.

#### 1. Install Locking Endplate



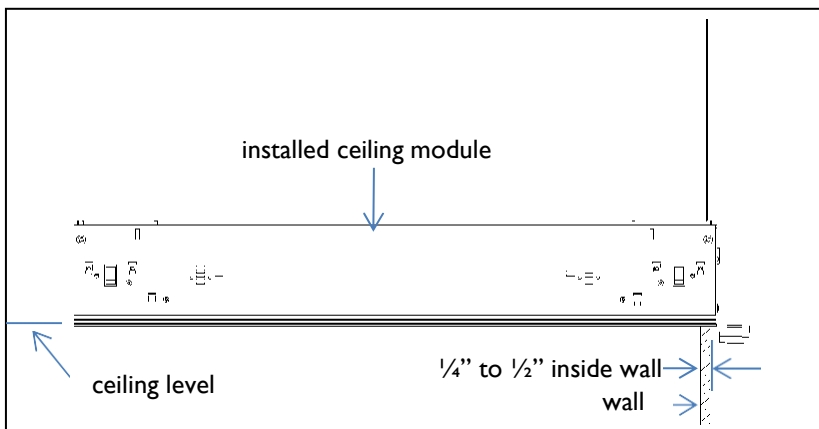
Install locking endplate with supplied hardware to fixture module to be installed in ceiling. If power connection is not required at this end, cap wires and access plate prior to endplate installation.

#### 2. Install Flat Endplate



Install flat endplate with supplied hardware to fixture module to be installed in wall. If power connection is not required at this location, cap wires and access plate prior to endplate installation.

#### 3. Install Ceiling Fixture Modules



Fixture installation must begin at one end, at the ceiling level.

**IMPORTANT:** For a proper fit, all end ceiling fixtures must be recessed inside wall by  $\frac{1}{4}$ " to  $\frac{1}{2}$ ". Determine all ceiling mounting and power feed locations from supplied layout drawings.

**NOTE:** Inside corner modules are designed for separate power feeds, not through wiring. Install ceiling fixtures as per attached TruGroove Drywall Ceiling Standalone and Continuous Run Installation Instructions.

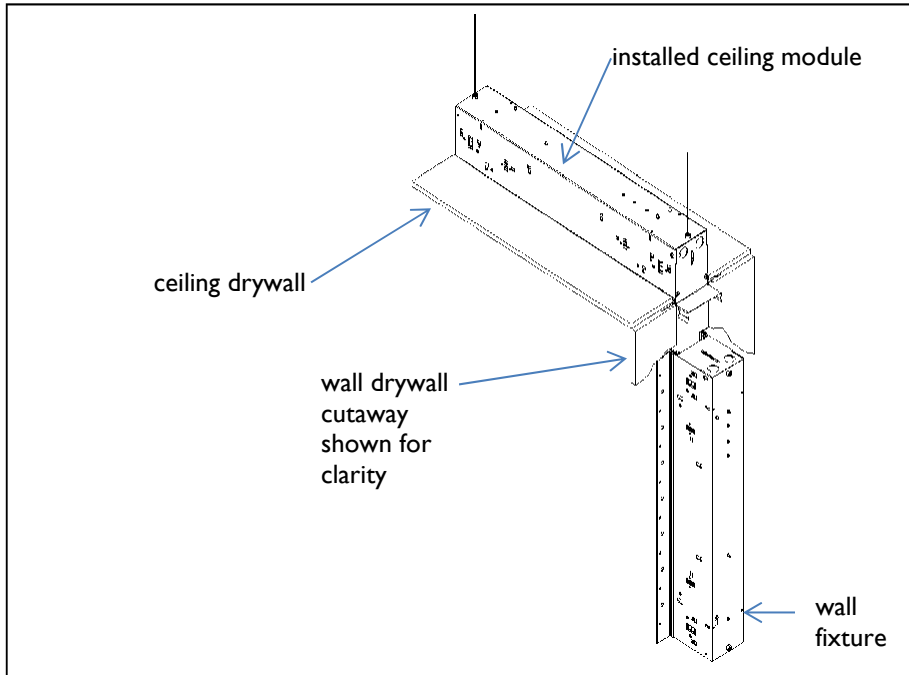
**IMPORTANT:** Ceiling fixtures must be installed and secured tightly against ceiling drywall.

**! ATTENTION: Install in accordance with national and local building and electrical codes.**

Page

### Corner Type 'B': Inside Corner Wall-to-Ceiling or Wall-to-Wall

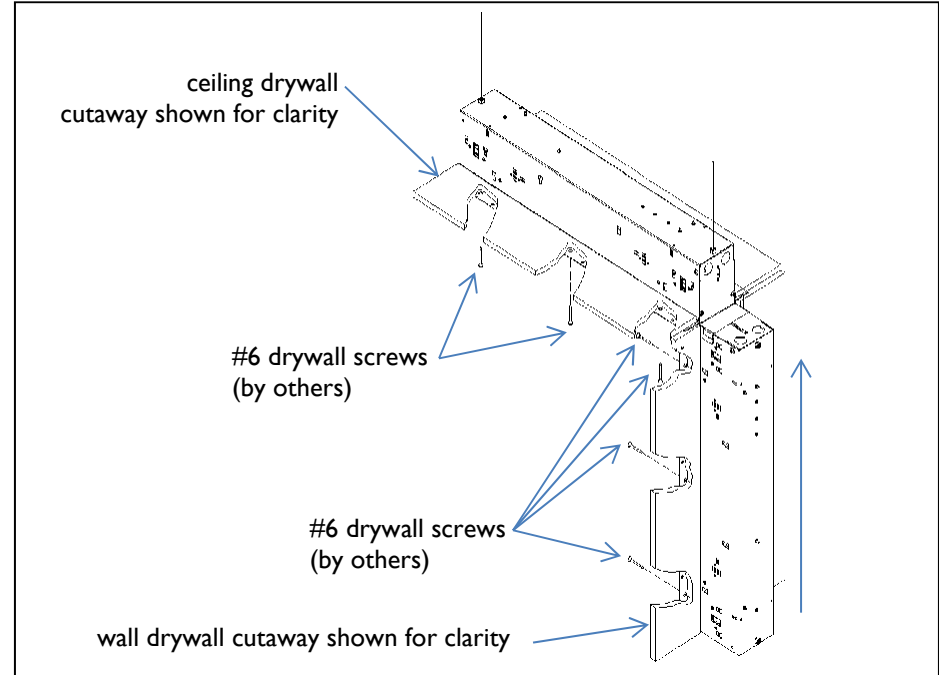
#### 4. Install Ceiling Fixture Modules



After all ceiling fixtures have been fully installed, secure to drywall using #6 drywall screws (by others). **IMPORTANT:** Attach screws through large holes in aluminum trim every 9 inches on both sides of fixture housing.

**IMPORTANT:** For installation of in-wall continuous runs, determine power feed locations and completed required electrical connections as shown in the supplied TruGroove Drywall Ceiling Standalone and Continuous Run Installation Instructions. For joining and attachment of additional fixtures, follow steps 2 and 3 on page 8.

#### 5. Install Wall Fixture Modules

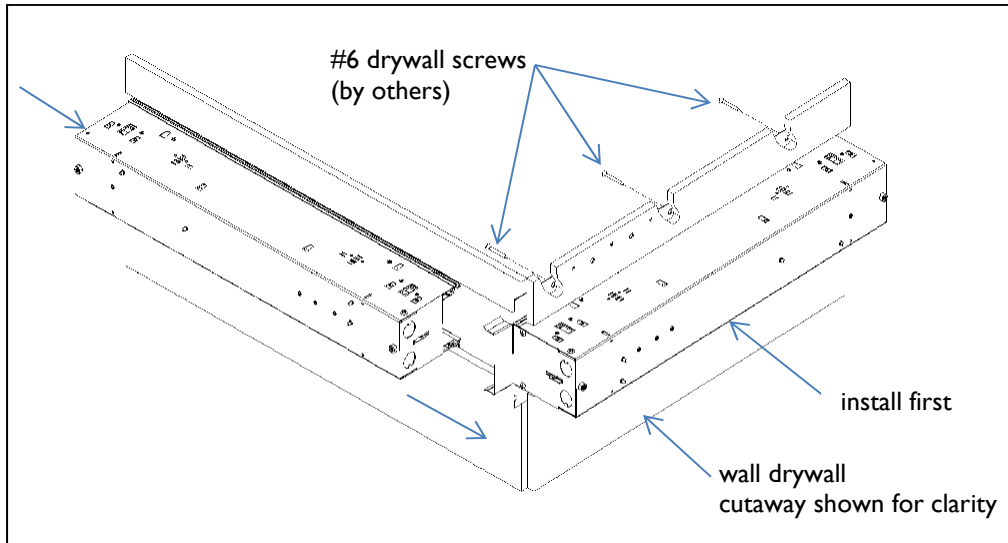


Raise first wall fixture to ceiling and engage housing body inside locking endplate in ceiling fixture. Push vertical fixture against ceiling fixture and secure to drywall with #6 drywall screws (by others). **IMPORTANT:** Attach screws through large holes in aluminum trim every 9 inches on both side of fixture housing.

**NOTE:** No ceiling mounting brackets or suspension cables are required for in-wall installation.

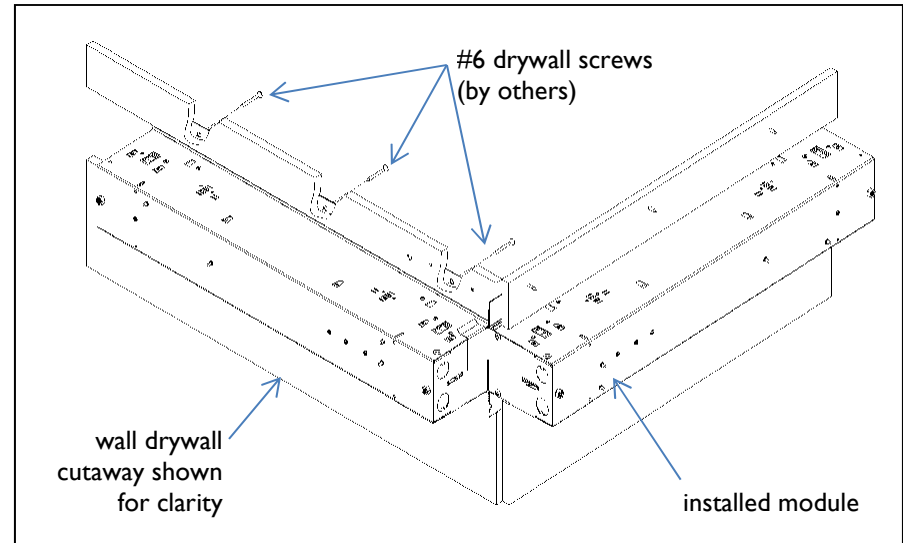
### Corner Type 'B': Inside Corner Wall-to-Ceiling or Wall-to-Wall

#### 4a. Install First Wall Fixture Module (If applicable)



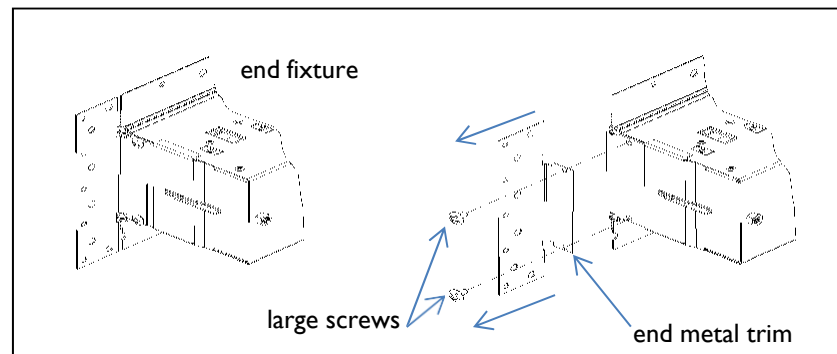
Inside corner kit for wall-to-wall configuration requires the installation of the locking endplate fixture as a first step. Insert fixture inside wall making sure a 1/4" to 1/2" overlap exists inside wall. If fixture needs to be joined to other fixture, follow steps 2 and 3 on page 8. Level fixture and secure to drywall using #6 drywall screws (by others). **IMPORTANT:** Attach screws through large holes in aluminum trim every 9 inches on both sides of fixture housing.

#### 5a. Install Second Wall Fixture Module (If applicable)



Insert joining module inside wall and slide towards installed module. Push joining fixture against installed fixture and secure to drywall with #6 drywall screws (by others). **IMPORTANT:** Attach screws through large holes in aluminum trim every 9 inches on both sides of fixture housing. For joining and attachment of additional fixtures, follow steps 2 and 3 on page 8.

#### 6. Install End Fixture Module At Wall End (If applicable)



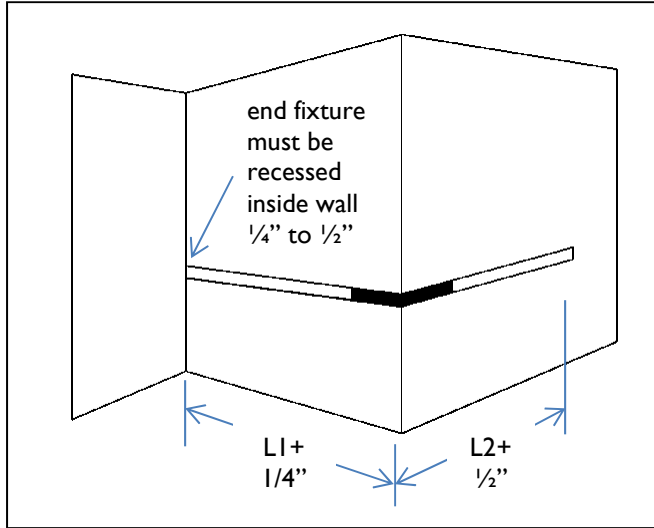
Installation of an end fixture at a wall end does not required the use of an inside corner kit. Prior to installation of this fixture module, remove factory installed metal end trim and 2 large head screws as shown in step 6.

Install end fixture module as shown on page 8.

**! ATTENTION: Install in accordance with national and local building and electrical codes.**

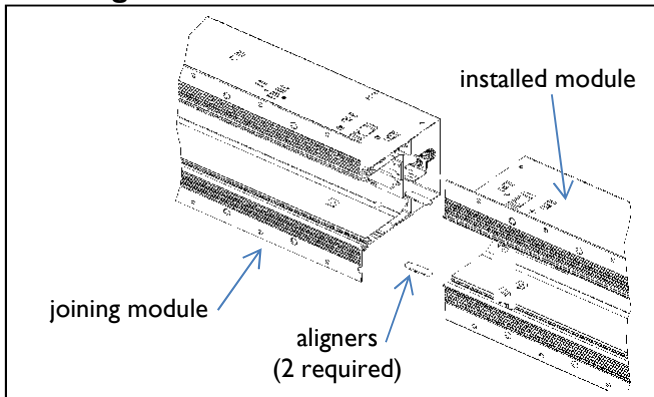
### Corner Type 'C': Outside Corner

#### Wall Cutout Measurements



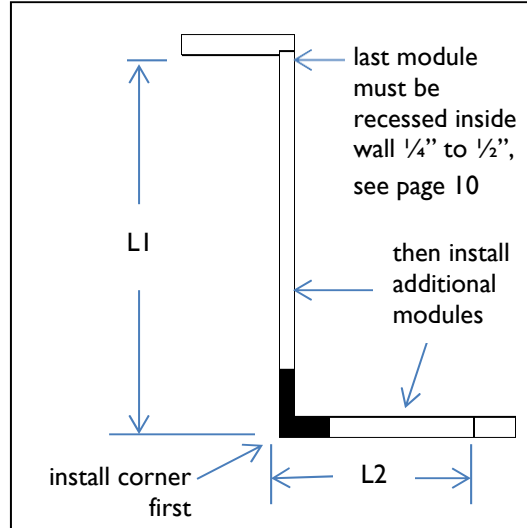
Wall cutout dimensions for outside corners are based on dimensions provided on layout drawings.

#### 2. Aligner Installation



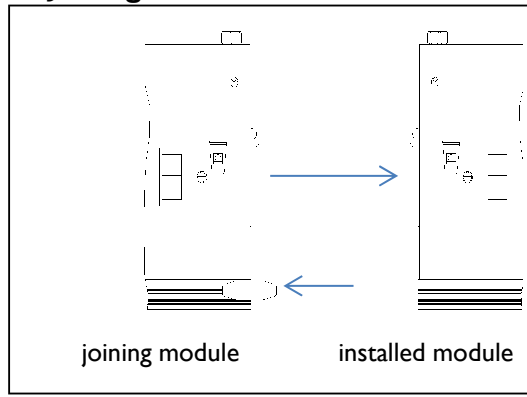
Insert aligners inside aluminum trim of module to be joined.

#### Installation Sequence



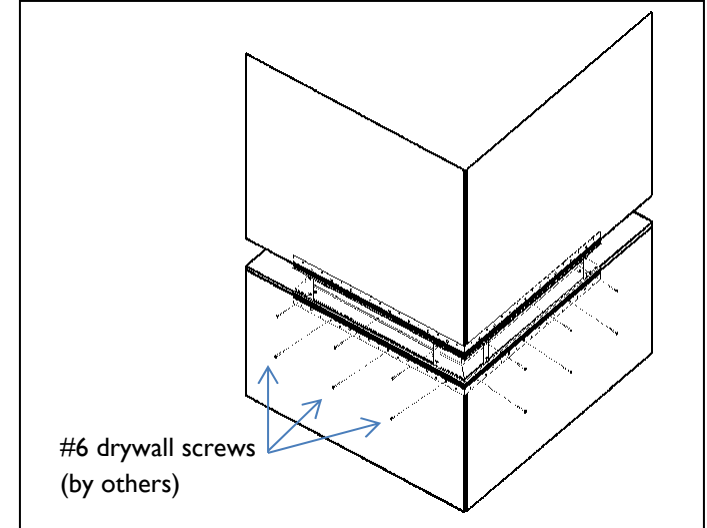
Begin installation at the outside corner and work towards the opposite wall.

#### 3. Joining/Attachment



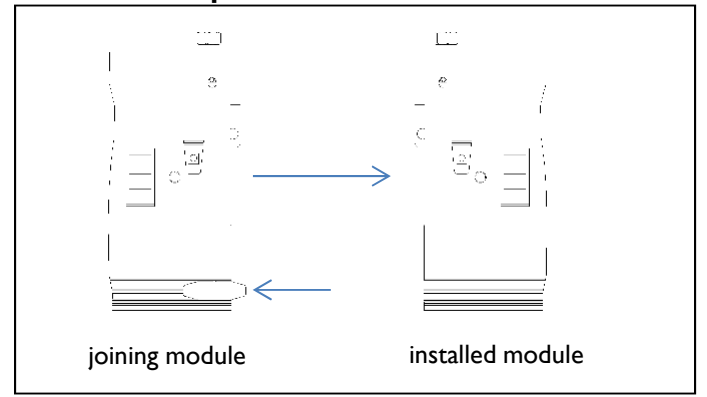
Tap aligners inside module more than half way. Complete wiring connections, push fixture modules together and secure with drywall screws.

#### 1. Corner Installation



Position, level and secure outside corner housing to drywall with #6 drywall screws (by others) spaced 9" apart.

#### Installation Tip

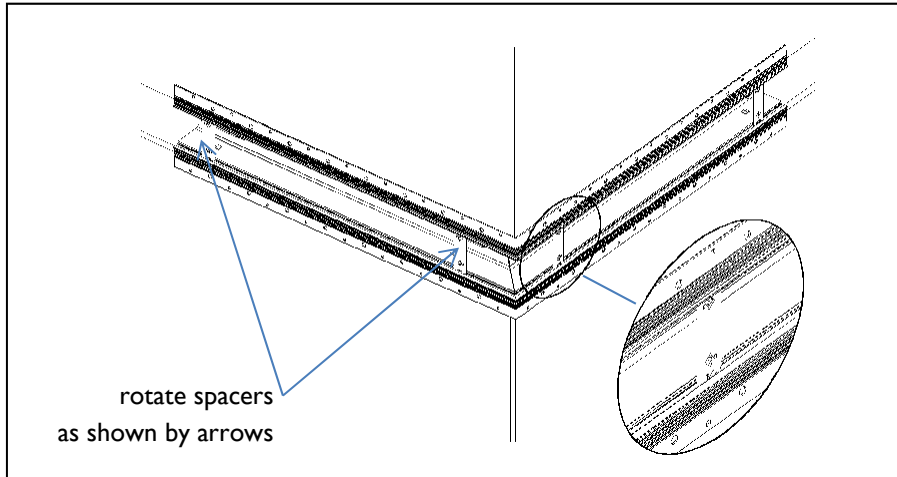


**Installation Tip:** For easier installation in cases where last fixture module ends at inside wall or end, tap aligners inside fixture trim so that only 1/8" is visible before joining and attaching module.

**! ATTENTION: Install in accordance with national and local building and electrical codes.**

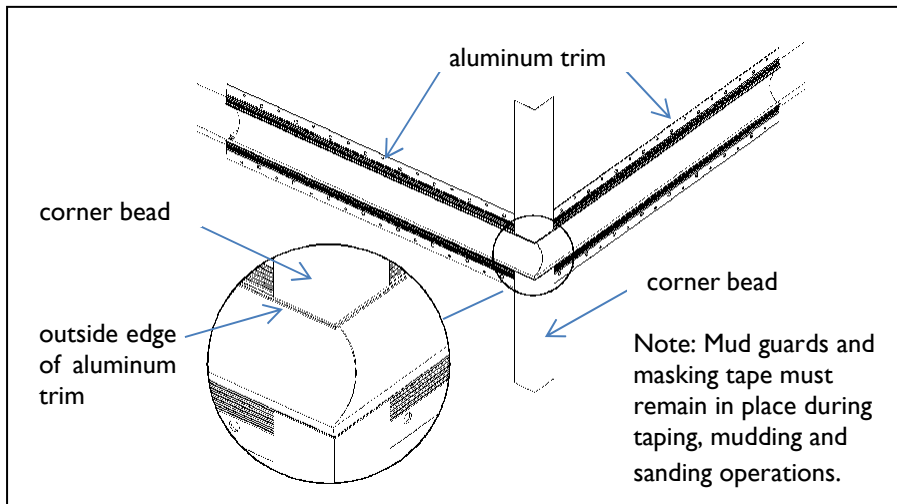


#### 4. Remove Fixture Spacers (Trimless Configuration Only)



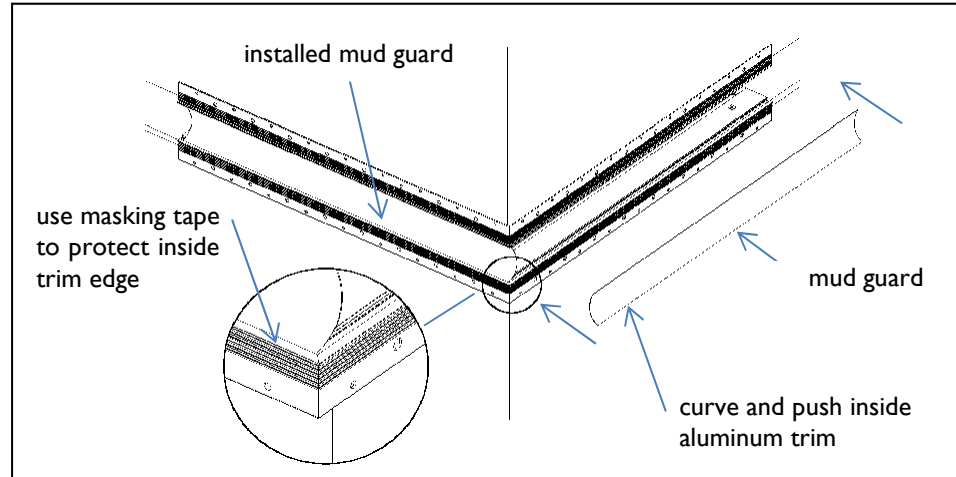
After securing fixture with drywall screws every 9 inches, remove internal spacers by rotating in direction shown by arrows.

#### 6. Install Corner Bead/Drywall Tape



For best results at corners, apply corner bead over aluminum trim and to outside edge as shown. Complete taping, mudding and sanding along fixture run length.

#### 5. Install Mud Guard/Protect Inside Edges



Install supplied mud guards inside each fixture. At corners, overlap and trim as needed to ensure a tight seal. **IMPORTANT:** To prevent debris from entering fixture, apply masking tape to inside edges of fixture trim, on both sides and full length of fixture run.

#### 7. Remove Mud Guards/Masking Tape

Once ceiling and wall finishing is complete, remove all mud guards and masking tape.

#### 8. Install Fixture Lenses

Install lenses as per supplied TruGroove Drywall Ceiling Standalone and Continuous Run Installation Instructions.

**NOTE:** Due to construction tolerances, some lenses may need to be trimmed for final fit.