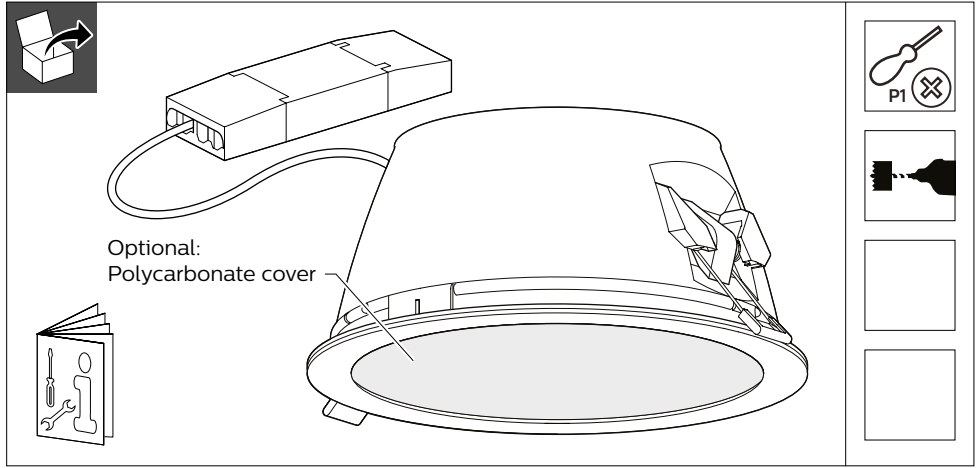


PHILIPS

GreenSpace

DN462B, DN463B
DN472B, DN473B



220V
240V

50Hz
60Hz



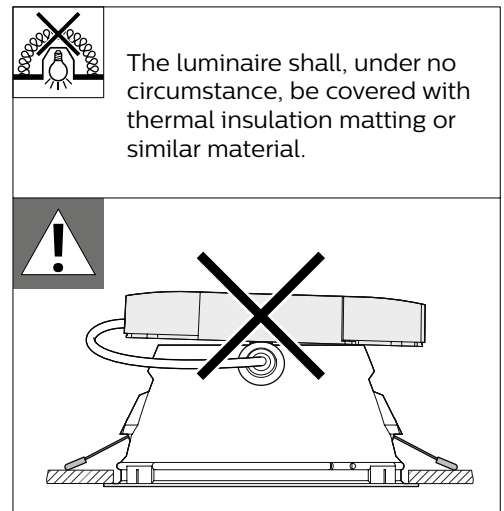
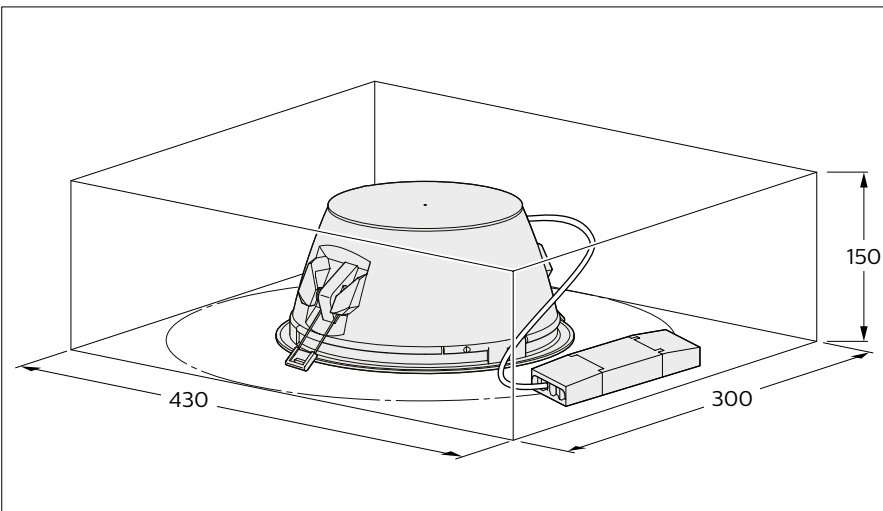
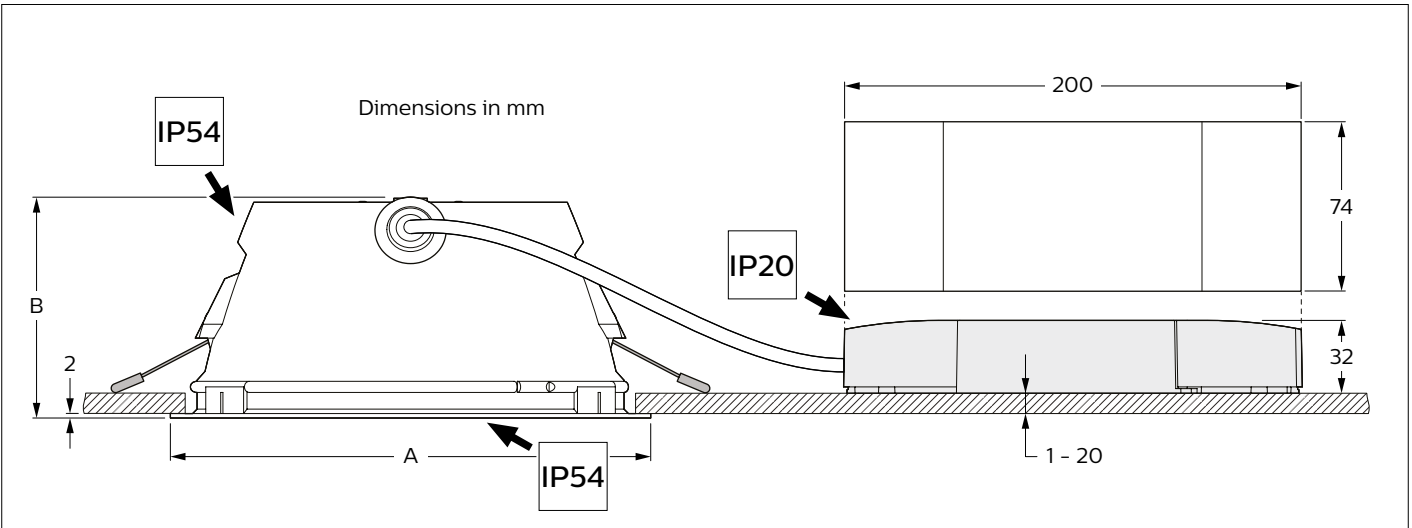
IK08

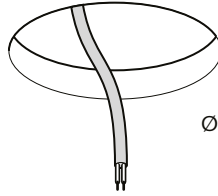
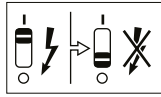
Ta
40°C
-15°C

GLOW
WIRE
750°C



	Lumen(lm)	CCT (K)	P(W)	UGR	A	B	Ø mm	kg
DN462B	1100	830, 840	10	22	166	77	150	0.555
DN463B				19				
DN472B	2000	830, 840	18	22	216	94	200	0.825
DN473B				19				





Ø See table on 1st page +5
0

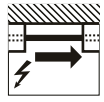
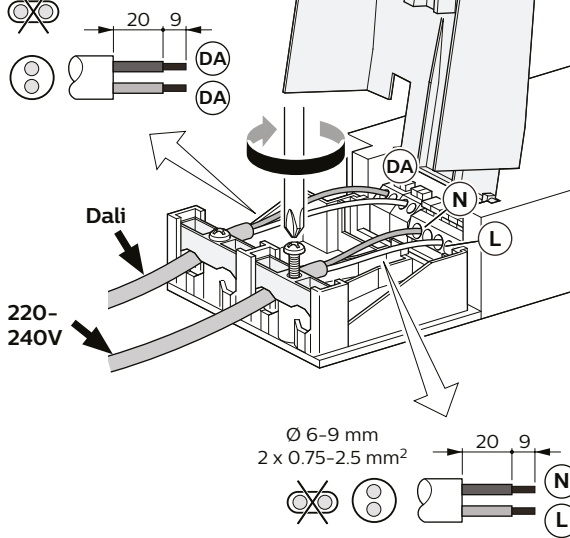
1



PSED-E



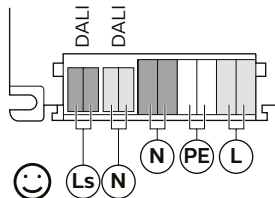
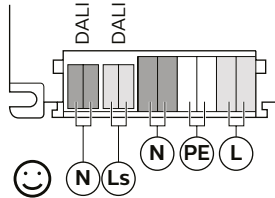
Ø 6-9 mm
2 x 0.50-1.5 mm²



through-wiring possible

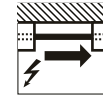
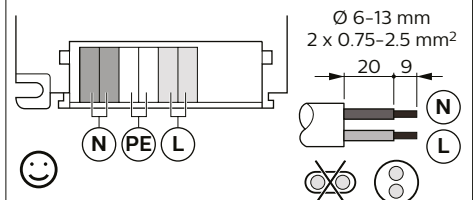
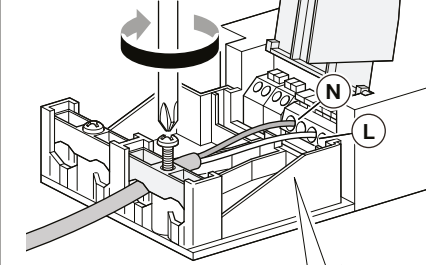
2a

PSED-E Touch & Dim



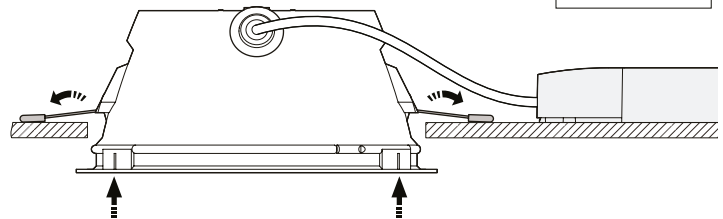
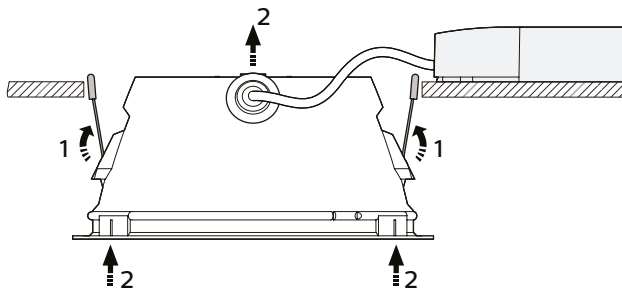
2b

PSE-E

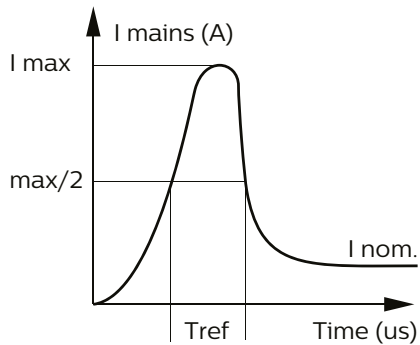


through-wiring possible

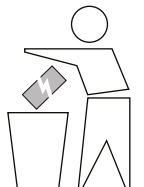
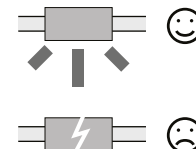
2c



Inrush current



	PSE-E	PSED-E
Electrical characteristics		
I _{max} (A)	15.8	20.4
T _{ref} (µs)	224	195
MCB	No. of driver max.	
B-10 A	22	15
B-16 A	36	24
C-10 A	37	25
C-16 A	61	40



- The luminaire shall be installed by a qualified electrician and wired in accordance with the latest IEElectrical regulations or the national requirements.
- Only to be installed outside arms reach as recessed ceiling luminaire.
- "The light source of this luminaire is not replaceable; when the light source reaches its end of life the whole luminaire shall be replaced".



ATTENTION
OBSERVE PRECAUTIONS
FOR HANDLING
ELECTROSTATIC
SENSITIVE
DEVICES