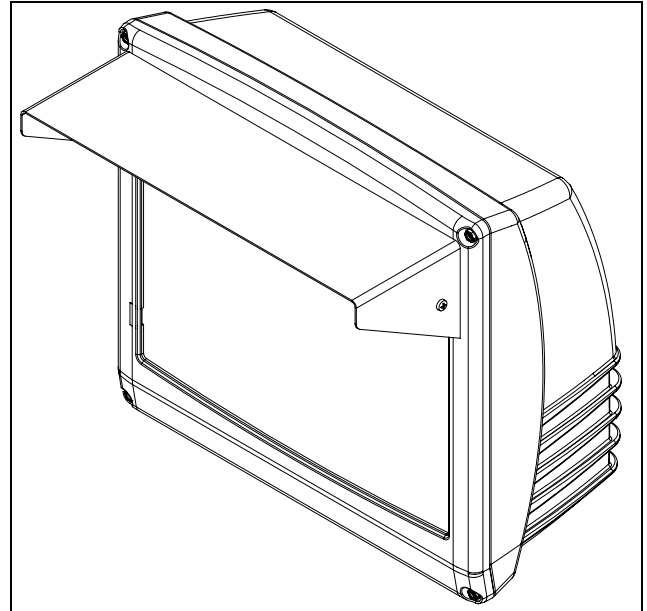
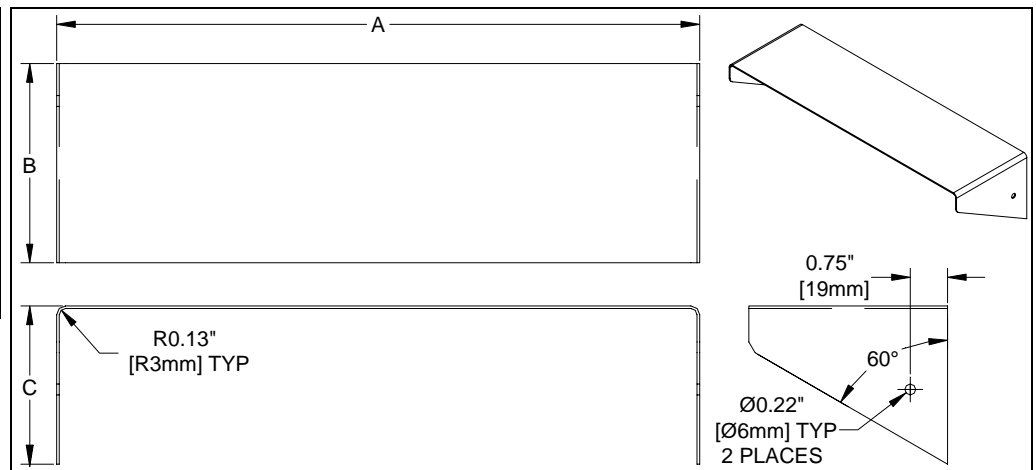


### SPECIFICATIONS:

- Material is 18ga. (0.052") thick powder coated steel for sizes PF1, PF2 & PF3, & 16ga. (0.064") thick for sizes PF4 & PF5. Finished in black Duraplex II™ Electrostatic Powder Coat.
- Installs on front face of fixture to provide protection from light pollution and unwanted glare.
- Mounts to two (2) supplied accessory clips with screws.
- All mounting hardware is included.
- PentaFlood Top Visor (TV) can be combined and used together with the Wireguard (WG) and Vandal Shield (VS).



SIZE	DIMENSION		
	A	B	C
PF1	5.63" [143mm]	2.00" [51mm]	1.70" [43mm]
PF2	8.28" [210mm]	3.00" [76mm]	2.00" [51mm]
PF3	12.94" [329mm]	4.00" [102mm]	3.18" [81mm]
PF4	13.06" [332mm]	4.00" [102mm]	3.13" [79mm]
PF5	19.31" [490mm]	5.00" [127mm]	3.44" [87mm]



### ORDERING GUIDE:

Example: PF3-TV

PF	-	TV
Series	Size	Mounting
PF : PentaFlood	1 2 3 4 5	TV : Top Visor

PROJECT: \_\_\_\_\_

TYPE: \_\_\_\_\_ CATALOGUE NUMBER: \_\_\_\_\_