

BRP371/372/373

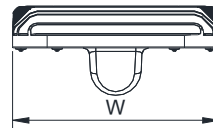
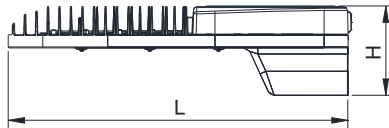
Mounting instruction-ANZ

444100058421

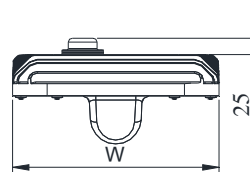
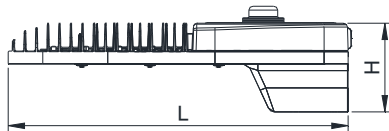


Product Name	LEDs	Power (W)	L X W X H(mm)	Weight	PE Cell	V/Hz
BRP371 16 LED (100 ~ 700mA)	16	≈ 5 ~ 37	422 X 318 X 136	6.5kg	With IP65 Or Without IP66	220-240V 50Hz/ 60Hz
BRP371 24 LED (100 ~ 700mA)	24	≈ 8 ~ 55	422 X 318 X 136	6.5kg		
BRP371 32 LED (100 ~ 700mA)	32	≈ 10 ~ 72	422 X 318 X 136	6.5kg		
BRP371 40 LED (100 ~ 700mA)	40	≈ 13 ~ 89	422 X 318 X 136	6.5kg		
BRP371 48 LED (100 ~ 700mA)	48	≈ 15 ~ 105	422 X 318 X 136	6.5kg		
BRP372 56 LED (100 ~ 700mA)	56	≈ 17 ~ 122	522 X 318 X 136	8 kg		
BRP372 64 LED (100 ~ 700mA)	64	≈ 20 ~ 138	522 X 318 X 136	8 kg		
BRP372 72 LED (100 ~ 700mA)	72	≈ 22 ~ 155	522 X 318 X 136	8 kg		
BRP373 80 LED (100 ~ 700mA)	80	≈ 25 ~ 176	853 X 318 X 136	14 kg		
BRP373 88 LED (100 ~ 700mA)	88	≈ 28 ~ 193	853 X 318 X 136	14 kg		
BRP373 96 LED (100 ~ 700mA)	96	≈ 30 ~ 210	853 X 318 X 136	14 kg		
BRP373 104 LED (100 ~ 700mA)	104	≈ 33 ~ 227	853 X 318 X 136	14 kg		
BRP373 112 LED (100 ~ 700mA)	112	≈ 35 ~ 242	853 X 318 X 136	14 kg		
BRP373 120 LED (100 ~ 700mA)	120	≈ 37 ~ 258	853 X 318 X 136	14 kg		
BRP373 128 LED (100 ~ 700mA)	128	≈ 39 ~ 273	853 X 318 X 136	14 kg		
BRP373 136 LED (100 ~ 700mA)	136	≈ 42 ~ 290	853 X 318 X 136	14 kg		
BRP373 144 LED (100 ~ 700mA)	144	≈ 44 ~ 306	853 X 318 X 136	14 kg		

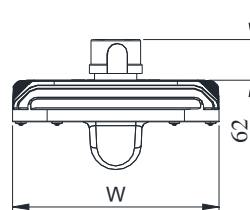
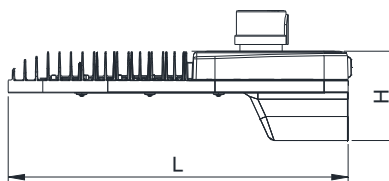
NO PE cell



D2 PE cell



NEMA PE cell



Note:
1. When power less than 100W, use D2 PE Cell
2. When power more than 100W, use NEMA PE cell

1. The luminaire shall be installed by a qualified electrician and wired in accordance with the latest IEE electrical regulations or the national requirements.
2. Turn off mains power supply when replacing LED Driver.
3. Application Ambient Temperature Range -40~55°C.
4. LED module can be replaced by qualified electrician.
5. Rated lifetime 50,000hrs @ 70% Lumen maintenance ta35°.

Philips (China) Investment Co.,Ltd.
 Room 1602-1605, No218 Tianmuxi Road, Shanghai, P.R. China
 飞利浦投资（中国）有限公司
 地址：中国上海市天目西路218号, No. 1602 - 1605
 邮编：200072

PHILIPS

1

Press the cover.
 Rotate the button and then open the cover.
 When input power cable were fixed inside. Close the cover and rotate the button lock the cover.

2

Notice for cable entry gland

Small rubber gasket

When using 20mm diameter supply cable, remove the small rubber gasket

3

IN.m

60245IEC57
 3 pole 1.5mm Multi-core with rubber insulated layer

! Notice: Correct connection for polarities

4

36N.m (M10x2)

Installation angle: 5~15 degree
 Pole diameter: 1. Weight < 7.0kg 34mm
 2. Weight > 7.0 Kg 49mm

5

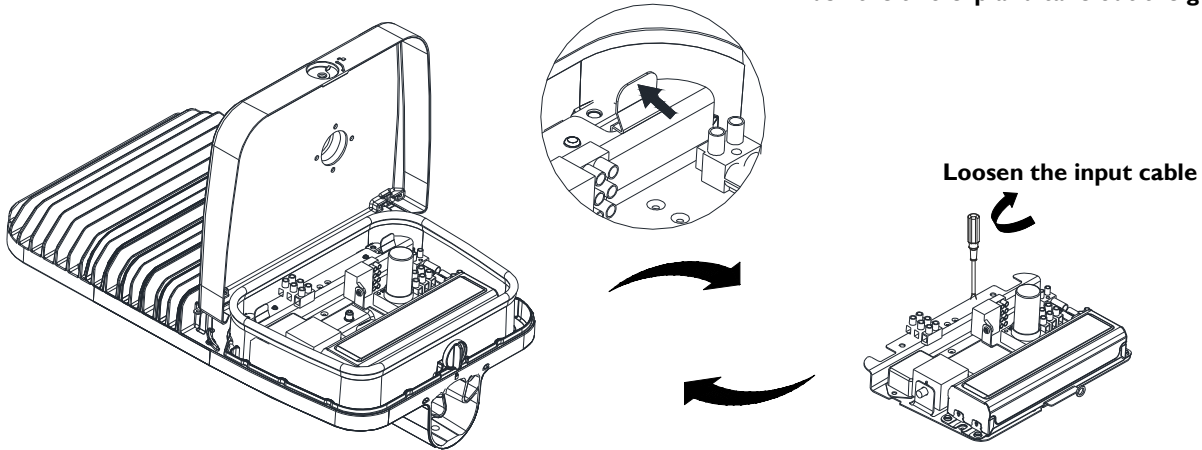
Loosen the screw and replace the broken glass

6

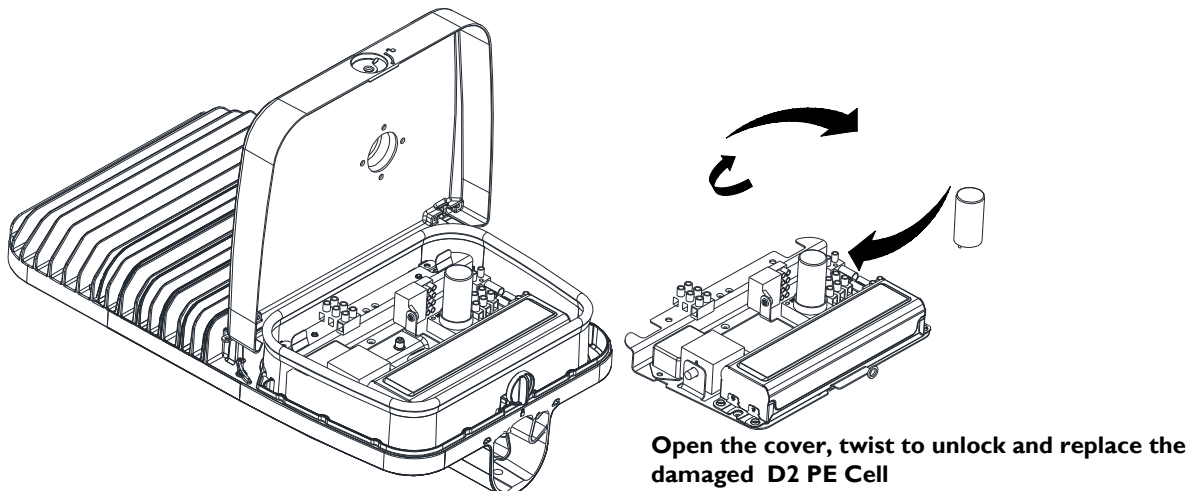
Loosen the screw and replace the damaged LED module

7

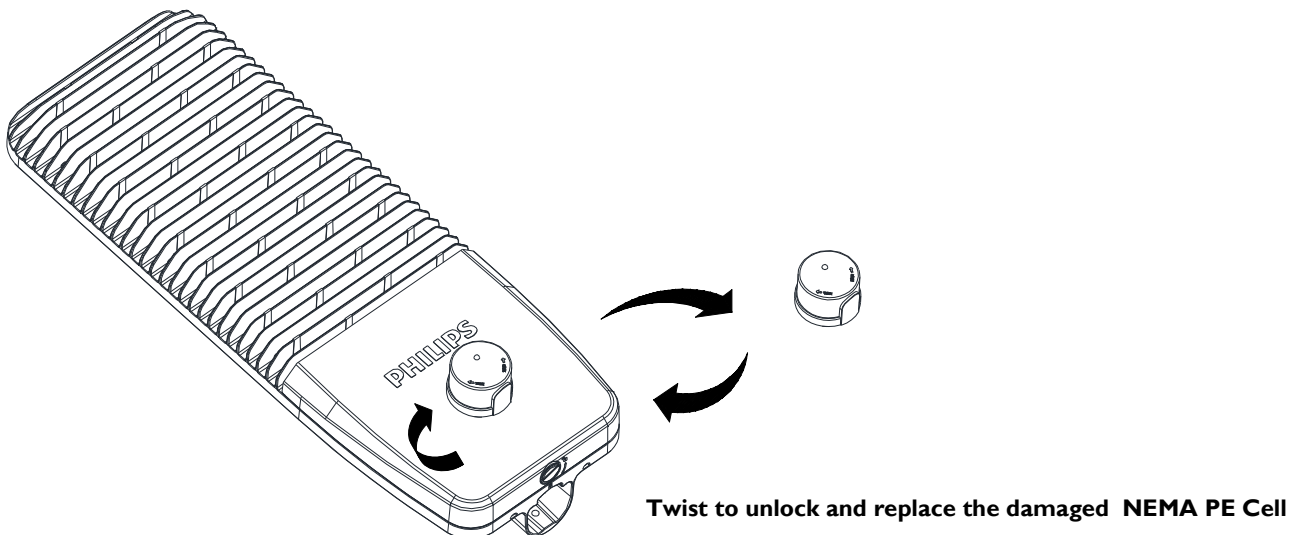
Push the two clip and take out the gear plate



8



9



Notes:

1. Factory do not provide NEMA type and D2 type PE cell.
2. Factory provides shorting cap for NEMA PE Cell only.
3. PE cells should be provided locally by installers/end-users.
4. NEMA PE cells used must be IP65 or better.
5. PE cell used must comply Australia and New Zealand Standards.
6. PE cell used must be approved for use in Australia and New Zealand.