



Linear

TruGroove
recessed micro

performance asymmetric
3100 lm/4ft, 3000/3500/4000K



Project: _____
Spec Type: _____
Catalog No: 2308LxEQ _____
Qty _____
Line Notes: _____

TruGroove recessed micro delivers the perfect combination of slender aesthetic and lighting control, creating luminous environments with exceptional uniformity and wide row spacing from a 1.75" aperture continuous line-of light. An extended family and refined design are perfect for lighting any professional space.

Ordering guide

| Product Type | Source | Color Temp * | Lumens * | Optics | Housing | Ceiling / Trim | Run Length ≈ | Wiring † | Voltage | Driver |
|-------------------------------------|--------|--|--|-------------------|--------------------------------|--|--|--|----------------------------|--|
| 2308 | L | | E | Q | S | | | | | |
| TruGroove recessed micro asymmetric | L LED | A CR180 / 4000K B CR180 / 3500K C CR180 / 3000K S CR190 / 3500K | E 3100 lm/4ft G 2200 lm/4ft K 1500 lm/4ft M 1000 lm/4ft | Q Flush Meso Lens | S Standard C Chicago Plenum | 1 T-Grid 3 Drywall Trimless 4 Drywall Trim | 03 3' 04 4' 05 5' 06 6' 08 8' XX Specify Run Length | 7 1cct Dimming M 1cct Dimming + EM Wiring N 1cct Dimming + EM Batt. Pack | 1 120V 2 277V 3 347V | E Philips Advance 0-10V (1% dim) <i>Other drivers available - consult your Philips representative</i> |

* Nominal values within a range. Consult photometry data for CRI, color temp, lumens & distribution of chosen configuration.
† Not all wiring types are available with all configurations. Consult Philips Ledalite for a complete list of available options.
≈ Available in continuous run lengths from 6ft in steps as small as 1/8in for 1000lm/4ft, 1500lm/4ft & 2200lm/4ft symmetric (performance) configurations.
≈ All 3100lm/4ft and asymmetric configurations can be specified in 1ft steps. 2ft standalone modules are not available in asymmetric.

Ceiling Trims



T-Grid



Drywall Trimless



Drywall Trim

TruGroove recessed micro asymmetric

performance asymmetric

3100 lm/4ft, 3000/3500/4000K

Optical System

White light emitted from the LED sources is redirected by a precisely formed reflector and exits through the optical lens assembly. This assembly contains an acrylic extrusion profile retaining a layer of MesoOptic film, creating both an uninterrupted continuum of light and an optical batwing or asymmetric distribution from a 1.75" flush aperture.

Finish

Extruded aluminum trim and die-cast endplates coated with electrostatically applied and thermally cured polyester. Powder coat paint finish. White sensors only.

Housing

Die-formed 20 gauge cold-rolled steel. Multiple upper wire entrances available for continuous row mounting of fixtures.

Weight

Maximum 2.8lb/ft.

Electrical

Factory pre-wired to section ends with quick-wire connectors.

QuickShip

Upon request, TruGroove recessed micro can be made-to-order and shipped in 10-working days from receipt of order.

Some configurations excluded. Limit of 500' linear feet per order.

QuickShip details are available in the links below:

[QuickShip ColorCoded Guide](#)

[QuickShip Order Guide](#)

Standard Drivers

Philips Advance Xitanium 0-10V, 1-100%.
Philips Advance Xitanium SR, 5-100% (SpaceWise DT).
Class 2 rated output. Consult Philips Ledalite for other available drivers.

Standard Battery Pack

Philips Bodine, 90 min, 10W, Class 2 rated output,
Emergency lumen output = 10W x luminaire efficacy x 1.1.
Typical output: 1100lm.

Lumen Maintenance

LEDs have been tested by the manufacturer in accordance with IESNA LM-80-08. At an ambient temperature of 25°C in non-insulation contact applications the LED lumen maintenance expectation according to IES TM-21-11-A is:

CRI>80:

L90 (10k) >60,000 hrs (Reported methodology)

L80 (10k) 128,000 hrs (Calculated methodology).

CRI>90:

L90 (10k) 59,000 hrs (Reported methodology)

L80 (10k) 118,000 hrs (Calculated methodology).

Source Color

LEDs rated for color rendering CRI >80, R9 >0 and fixture to fixture color accuracy within 2 SDCM. Available 90 CRI option is rated for CRI >90, and R9 >60.

Controls

Certain configurations available with:
Response Daylight Sensors
SpaceWise DT Occupancy & Daylight Sensors w/
advanced grouping & Dwell Time.

*SpaceWise DT commissioning is via a compatible Android phone and Philips Field App. Compatible wireless dimming wall switches are available for dimming. For more information, please refer to www.philips.com/spacewis

Mounting

Mounting brackets on housing sides support T-Grid installation. 1/16" diameter aircraft cable with self-locking, tamper-resistant, miniature cable gripper provides vertical adjustment for drywall. Aircraft cable, crimp and gripper independently tested to meet stringent safety requirements.

Joints

Self-aligning joining system with hands-free pre-joining wire access.

Approvals

Certified to UL, CSA and IES standards. Insulation Contact (IC) rated.
Consult factory for DLC eligible configurations

Warranty

Five-year luminaire limited warranty including LED boards and driver.

[USA: Warranty Support](#)

[Canada: Warranty Support](#)

Environment

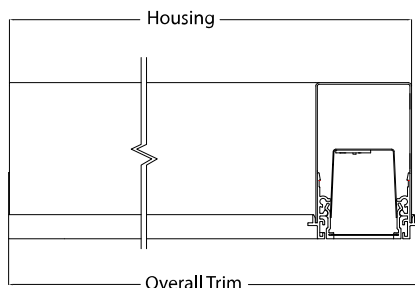
Rated for operation in dry and damp locations in ambient temperatures of 25°C. Many luminaire components, such as reflectors, refractors, lenses, and LEDs are made from materials which can be adversely affected by airborne contaminants. If sulfur based chemicals, petroleum based products, cleaning solutions, or other contaminants are expected in the intended area of use, consult factory for compatibility. Damage caused by sulfur, chlorine, petroleum based solution or other contaminants are not covered under warranty

Due to continuing product improvements, Philips Ledalite reserves the right to change the specifications without notice.

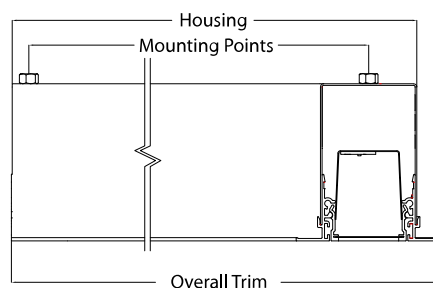
Corner details and dimensions

Flat 90° Lit Corner Units (Side Views)

T-Grid



Drywall



| Nominal Length | Housing | Lens | Mounting Points | Trim - T-Grid | Trim - Drywall Trimless | Trim - Drywall Trim |
|----------------|-------------|------|-----------------|---------------|-------------------------|---------------------|
| 2x2ft Flat | 25.1"/637mm | N/A | 23.6"/600mm | 25.3"/642mm | 26.5"/673mm | 25.6"/651mm |

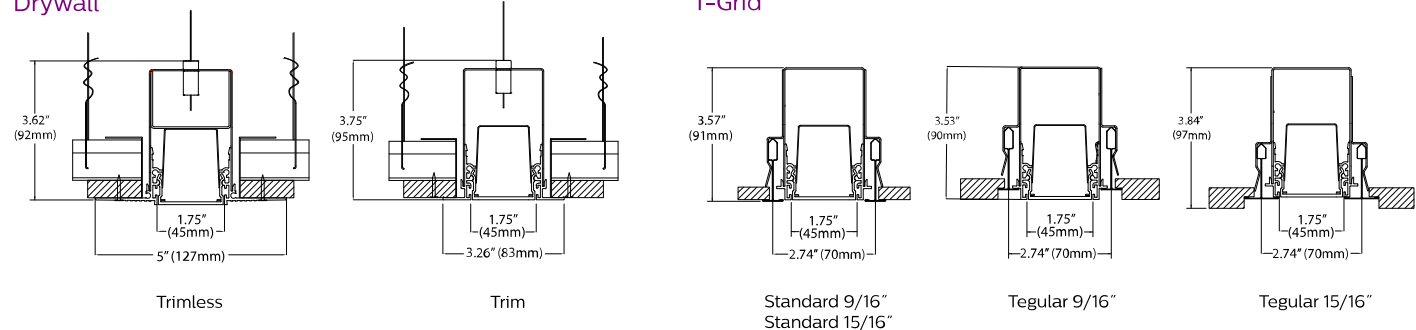
TruGroove recessed micro asymmetric

performance asymmetric

3100 lm/4ft, 3000/3500/4000K

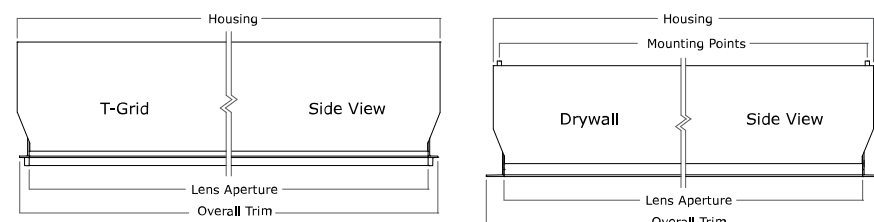
Ceiling Types

Drywall

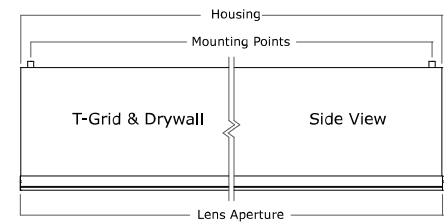


Module Details & Dimensions

Standalone



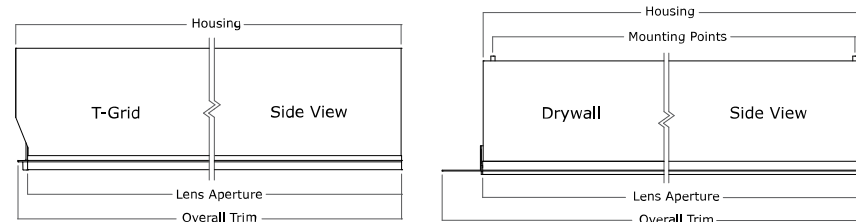
Mid-Run



| Standalone | | | | | | |
|------------|----------|------|-----------------|---------------|-------------------------|---------------------|
| Nominal | Housing | Lens | Mounting Points | Trim - T-Grid | Trim - Drywall Trimless | Trim - Drywall Trim |
| 2ft | 23.9\"/> | | | | | |

| Mid-Run | | |
|---------|----------------|-----------------|
| Nominal | Housing & Lens | Mounting Points |
| 2ft | 24.0\"/> | |

End-Run



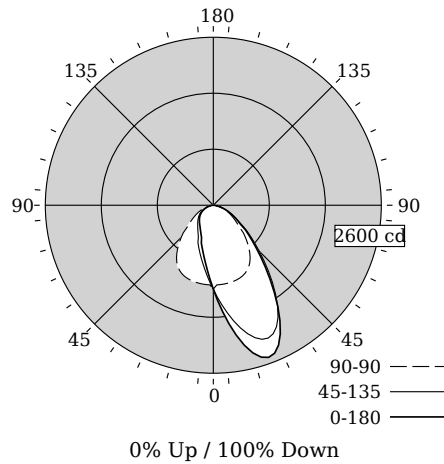
| End-Run | | | | | | |
|---------|----------|------|-----------------|---------------|-------------------------|---------------------|
| Nominal | Housing | Lens | Mounting Points | Trim - T-Grid | Trim - Drywall Trimless | Trim - Drywall Trim |
| 2ft | 24.0\"/> | | | | | |

TruGroove recessed micro asymmetric

performance asymmetric

3100 lm/4ft, 3000/3500/4000K

Photometry @ CRI>80, 3500K



Candela Distribution

| Vertical Angle | Horizontal Angle | | | | Zonal Lumens |
|----------------|------------------|------|------|------|--------------|
| | 0 | 45 | 90 | 135 | |
| 0 | 1298 | 1298 | 1298 | 1298 | 1298 |
| 5 | 1652 | 1551 | 1233 | 1094 | 1020 |
| 15 | 2366 | 2059 | 1218 | 784 | 672 |
| 25 | 2389 | 2194 | 1162 | 548 | 460 |
| 35 | 1645 | 1680 | 993 | 420 | 367 |
| 45 | 946 | 1007 | 702 | 338 | 304 |
| 55 | 515 | 556 | 419 | 267 | 241 |
| 65 | 291 | 294 | 253 | 186 | 165 |
| 75 | 124 | 122 | 118 | 95 | 82 |
| 85 | 24 | 22 | 25 | 25 | 22 |
| 90 | 0 | 0 | 0 | 0 | 0 |
| 95 | 0 | 0 | 0 | 0 | 0 |
| 105 | 0 | 0 | 0 | 0 | 0 |
| 115 | 0 | 0 | 0 | 0 | 0 |
| 125 | 0 | 0 | 0 | 0 | 0 |
| 135 | 0 | 0 | 0 | 0 | 0 |
| 145 | 0 | 0 | 0 | 0 | 0 |
| 155 | 0 | 0 | 0 | 0 | 0 |
| 165 | 0 | 0 | 0 | 0 | 0 |
| 175 | 0 | 0 | 0 | 0 | 0 |
| 180 | 0 | 0 | 0 | 0 | 0 |

Values per 4ft unit

Fixture photometry has been conducted in accordance with IESNA LM-79-08

IES files for this and other photometric options can be downloaded online at www.lightingproducts.philips.com

Coefficients of Utilization (%)

| RCR | Ceiling | | | | Wall | | | | 0 | | |
|-----|---------|-----|-----|-----|------|-----|-----|-----|-----|-----|-----|
| | 70 | 50 | 30 | 10 | 70 | 50 | 30 | 10 | | | |
| 0 | 119 | 119 | 119 | 119 | 116 | 116 | 116 | 111 | 111 | 111 | 100 |
| 1 | 110 | 106 | 103 | 99 | 108 | 104 | 101 | 100 | 97 | 95 | 87 |
| 2 | 102 | 95 | 89 | 84 | 99 | 93 | 87 | 89 | 85 | 81 | 75 |
| 3 | 94 | 85 | 77 | 72 | 92 | 83 | 76 | 80 | 74 | 70 | 65 |
| 4 | 87 | 76 | 68 | 62 | 85 | 75 | 67 | 72 | 66 | 61 | 57 |
| 5 | 80 | 69 | 61 | 55 | 78 | 68 | 60 | 66 | 59 | 54 | 51 |
| 6 | 75 | 63 | 54 | 49 | 73 | 62 | 54 | 60 | 53 | 48 | 45 |
| 7 | 70 | 57 | 49 | 44 | 68 | 56 | 49 | 55 | 48 | 43 | 41 |
| 8 | 65 | 53 | 45 | 39 | 64 | 52 | 44 | 51 | 44 | 39 | 37 |
| 9 | 61 | 49 | 41 | 36 | 60 | 48 | 41 | 47 | 40 | 35 | 33 |
| 10 | 57 | 45 | 38 | 33 | 56 | 45 | 37 | 44 | 37 | 32 | 31 |

Avg. Luminance (cd/m2)

| Vertical Angle | Horizontal Angle | | |
|----------------|------------------|-------|------|
| | 0 | 90 | 180 |
| 55 | 16108 | 13099 | 7548 |
| 65 | 12339 | 10737 | 7019 |
| 75 | 8565 | 8191 | 5698 |
| 85 | 4950 | 5121 | 4502 |

Distribution

| Hemisphere | 0% Up / 100% Down |
|----------------------|---|
| Glare Control | Meets RP-1-12 recommendations for VDT-Normal spaces |
| Spacing Along (0°) | 1.6 |
| Spacing Across (90°) | 1.25 |
| Spacing at 180° | 0.49 |

Philips Ledalite

LED lighting facts
A Program of the U.S. DOE

Light Output (Lumens) **3031**

Watts **31.4**

Lumens per Watt (Efficacy) **96.5**

Color Accuracy **82**

Color Rendering Index (CRI)

Light Color **3500 (Bright White)**

Correlated Color Temperature (CCT)

2700K 3000K 4500K 6500K

All results are according to IESNA LM-79-2008: Approved Method for the Electrical and Photometric Testing of Solid-State Lighting. The U.S. Department of Energy (DOE) verifies product test data and results.

Visit www.lightingfacts.com for the Label Reference Guide.

Registration Number: F46Z-U4PBC4 (1/23/2018)
Model Number: 23x8LBEQxx04
Type: Luminaire - Linear

TruGroove recessed micro asymmetric

performance asymmetric

3100 lm/4ft, 3000/3500/4000K

Optical Performance @ 120V

| Nominal Spec: | 830 | 835 | 840 | 935 |
|-----------------|--------|--------|--------|--------|
| Flux (lm) | 2923 | 3031 | 3052 | 2964 |
| Efficacy (lm/W) | 92.5 | 96.5 | 97.8 | 80.3 |
| Power (W) | 31.6 | 31.4 | 31.2 | 36.9 |
| CCT (K) | 3071 | 3490 | 4027 | 3523 |
| CRI | 84 | 82 | 84 | 94 |
| R9 | 16 | 11 | 16 | 71 |
| x | 0.4308 | 0.4061 | 0.3798 | 0.4035 |
| y | 0.3998 | 0.3917 | 0.3782 | 0.3887 |
| Duv | 0.0009 | 0.0002 | 0.0009 | 0.0005 |

Electrical Performance @ CRI>80, 3500K

| Input Voltage | 120V | 277V | 347V |
|------------------------|-------|-------|-------|
| Input Power | 31.4W | 31.6W | 31.2W |
| Input Current | 0.26A | 0.12A | 0.09A |
| Power Factor | 0.996 | 0.961 | 0.961 |
| Total Harm. Distortion | 7.3% | 13.1% | 9.1% |

Tested values – contact technical support for rated values. Off-state power zero unless certain controls are specified.

