

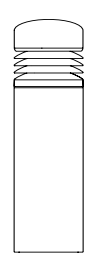
# Bollard

## Architectural Bollard

BRM822 / 826 School Bollard



Dome Top



Bevel Top

Gardco's BRM822 dome top and BRM826 beveled top louvered School Bollards provide uniform illumination and superior spacings. A high-strength galvanized steel tenon throughout the length of the luminaire provides solid vandal resistance. Rugged extruded and cast construction with silicone seals and gasketing assure years of trouble-free service.

Project: \_\_\_\_\_  
 Location: \_\_\_\_\_  
 Cat.No: \_\_\_\_\_  
 Type: \_\_\_\_\_  
 Lamps: \_\_\_\_\_ Qty: \_\_\_\_\_  
 Notes: \_\_\_\_\_

### Ordering Guide

example: BMR8224250MH120BRPF

Prefix	Height	Wattage	Voltage	Finish	Options
<b>BRM822</b> Dome Top School Bollard	<b>42"</b>	<b>50MH<sup>1</sup></b>	<b>120</b>	<b>BRP</b> Bronze Paint	<b>F</b> Fusing
<b>BRM826</b> Bevel Top School Bollard	<b>36"</b>	<b>70MH</b>	<b>208</b>	<b>BLP</b> Black Paint	<b>SHD</b> Internal 180° Shield
	<b>30"</b>	<b>100MH</b>	<b>240</b>	<b>WP</b> White Paint	
		<b>35HPS<sup>2</sup></b>	<b>277</b>	<b>NP</b> Natural Aluminum Paint	
		<b>50HPS<sup>1</sup></b>		<b>VP</b> Verde Green Paint	
		<b>70HPS</b>		<b>OC</b> Optional Color Paint	
		<b>100HPS</b>		<i>Specify RAL designation</i>	
		<b>26QF<sup>3</sup></b>		<i>ex: OC-RAL7024.</i>	
		<b>32TRF<sup>3</sup></b>		<b>SC</b> Special Color Paint	
		<b>42TRF<sup>3</sup></b>		<i>Specify. Must supply color chip.</i>	
		<b>INC<sup>2</sup></b> 100W maximum A19			

Enter the order code into the appropriate box above. Note: Gardco reserves the right to refuse a configuration. Not all combinations and configurations are valid. Refer to notes below for exclusions and limitations. For questions or concerns, please consult the factory.

*MH - Metal Halide (Pulse Start) HPS - High Pressure Sodium QF - Quad Tube Fluorescent TRF - Triple Tube Fluorescent INC - Incandescent*

- 120 or 277V only.
- 120V only.
- Features an electronic fluorescent ballast that accepts 120V through 277V, 50hz or 60hz input. 0°F/18°C starting temperature.
- Specify single voltage.
- BRM820 and BRM824 only. Available in 36" and 42" heights only. Weathertight, flush mounted in lower housing, and located a minimum of 18" above grade.

# Bollard BRM822 / 826 School Bollard

---

## Specifications

### GENERAL

Each Gardco louvered School Bollard is a luminaire designed for use with 35w - 100w high intensity discharge and 26w, 32w and 42w compact fluorescent lamps. A die cast louvered head assembly provides low-glare, high performance lighting and superior vandal resistance. A concealed high strength steel tenon mounting system is designed to address the challenges of school environments.

### UPPER HOUSING

A diecast aluminum dome top secures to a one-piece diecast zinc louver assembly with three (3) concealed tamper resistant screws.

### LOWER HOUSING

.125" (.318 cm) wall 6063-T5 extruded aluminum which connects to the top flange

of the mounting tenon with four (4) internal hex bolts, inaccessible after installation.

### LENS & OPTICAL SYSTEM

A fully gasketed Pyrex vessel enshrouds the lamp envelope and is secured in position with a stainless steel spring. High angled louvers provide maximum spacings while shielding the source to 90°. The upper louver conceals hammertoned Alzak® aluminum reflectors to increase luminaire efficiency and generate unstriated beam patterns.

### ANCHORAGE

A high strength steel mounting tenon, hot-dip galvanized after fabrication, is secured and double-nut leveled to the concrete footing with (4) 3/8" x 8" x 1 1/2" (.953 cm x 20.32 cm x 3.81 cm) anchor bolts on a 4 3/4" - 5" (12.07 cm - 12.70 cm) bolt

circle. A prewired ballast assembly resides within the mounting tenon, with easy access for field wire connections.

### ELECTRICAL

The medium base pulse-rated lampholder is glazed porcelain with a nickel plated reinforced screw shell and spring loaded contact. Each high power factor ballast is the separate component type, capable of providing reliable lamp starting down to -20°F/-29°C. Component-to-component wiring within the luminaire will carry no more than 80% of rated current and is listed by UL for use at 600 VAC at 150°C or higher. Plug disconnects are listed by UL for use at 600 VAC, 15A or higher.

All fluorescent luminaires utilize electronic ballasts that are high power factor and designed for reliable lamp

starting to 0°F/18°C. Smart fluorescent ballasts accept 26w, 32w and 42w in all voltages from 120 to 277, 50/60Hz. Sockets are high temperature PBT with brass contacts.

### FINISH

Each luminaire receives a fade and abrasion resistant, electrostatically applied, thermally cured textured polyester powdercoat finish. The painted finish is bonded to the exterior surfaces utilizing chromate conversion as a pretreatment.

### LABELS

All luminaires bear UL or CUL (where applicable) Wet Location labels.

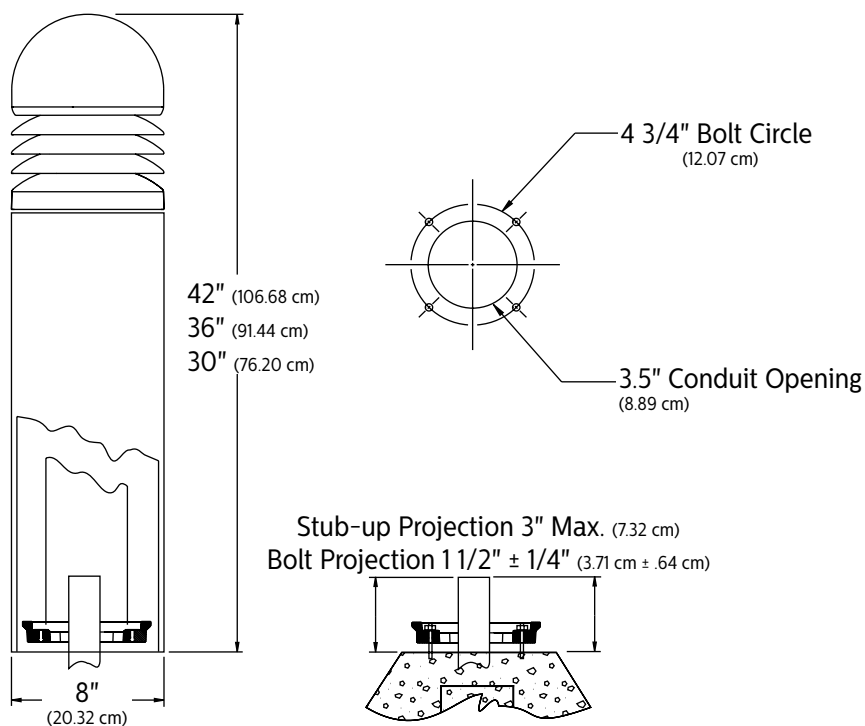
### WARRANTY

5 year limited warranty. See [signify.com/warranties](http://signify.com/warranties) for complete details and exclusions.

# Bollard BRM822 / 826 School Bollard

## Dimensions

### Galvanized Steel Mounting System



**NOTE:** Factory supplied template must be used when setting anchor bolts.

Gardco will not honor any claim for incorrect anchorage placement from failure to use factory supplied templates.

