

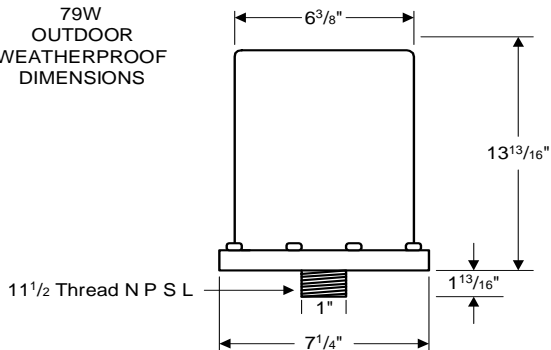
**PHILIPS
ADVANCE**

High Pressure
Sodium
Lamp Ballast

Catalog Number 79W8443
For 400W S51
60 Hz CWA
Status: Active

DIMENSIONS AND DATA

79W
OUTDOOR
WEATHERPROOF
DIMENSIONS



| | | | | | |
|--|------------------|---|---|---|---|
| INPUT VOLTS | 480 | | | | |
| CIRCUIT TYPE | CWA | | | | |
| POWER FACTOR (min) | 90% | | | | |
| REGULATION | | | | | |
| Line Volts | ±10% | | | | |
| Lamp Watts | WITHIN TRAPEZOID | | | | |
| LINE CURRENT (Amps) | | | | | |
| Operating..... | 0.97 | | | | |
| Open Circuit..... | 0.55 | | | | |
| Starting..... | 0.75 | | | | |
| UL TEMPERATURE RATINGS | | | | | |
| Insulation Class | H(180°C) | | | | |
| Coil Temperature Code | 1029 | | | | |
| MIN. AMBIENT STARTING TEMP. | -40°F or -40°C | | | | |
| NOM. OPEN CIRCUIT VOLTAGE | 190 | | | | |
| INPUT VOLTAGE AT LAMP DROPOUT..... | 360 | | | | |
| INPUT WATTS | 464 | | | | |
| RECOMMENDED FUSE (Amps)..... | 3 | | | | |
| CORE and COIL | | | | | |
| Dimension (A) | | | | | |
| Dimension (B) | | | | | |
| Weight (lbs.) | 30 | | | | |
| Lead Lengths | 10" | | | | |
| CAPACITOR REQUIREMENT | | | | | |
| Microfarads | | | | | |
| Volts (min.) | 240 | | | | |
| Fault Current Withstand (amps) | | | | | |
| 60 Hz TEST PROCEDURES (Refer to Advance Test Procedure for HID Ballasts - Form 1270) | | | | | |
| High Potential Test (Volts) | | | | | |
| 1 minute | 2000 | | | | |
| 2 seconds | 2500 | | | | |
| Open Circuit Voltage Test (Volts) | 170-210 | | | | |
| Short-Circuit Current Test (Amps) | | | | | |
| Secondary Current | 6.00-7.40 | | | | |
| Input Current..... | 0.50-0.80 | - | - | - | - |

Capacitor:

The capacitor is included as part of the potted assembly.



Wiring Diagram:

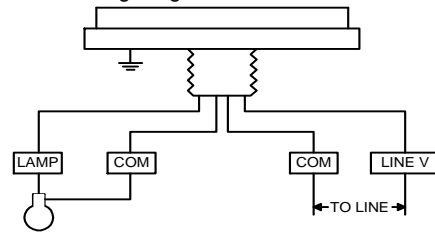


Fig. OW-1

Ordering Information

| Order Suffix | Description |
|--------------|-------------|
|--------------|-------------|

Ignitor: IN CAN

The ignitor is included as part of the potted assembly.

Ballast to Lamp Distance (BTL) = 50 feet
Temp Rating: 90°C

Data is based upon tests performed by Philips Lighting Electronic N.A. in a controlled environment and representative of relative performance. Actual performance can vary depending on operating conditions. Specifications are subject to change without notice.

Philips Lighting Electronic N.A.

10275 West Higgins Road · Rosemont, IL 60018 · Tel:800-322-2086 Fax:888-432-1882
Customer Support/ Technical Service:800-372-3331 · OEM Support: 866-915-5886

04/14/00