

Day-Brite

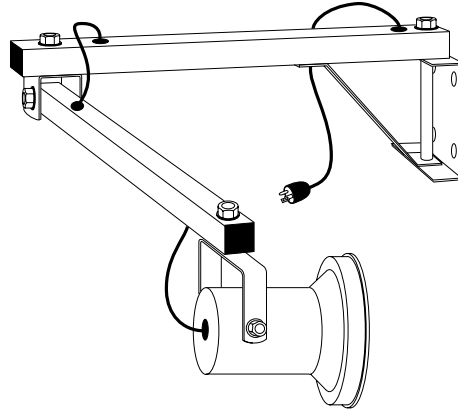
CFI

by Signify

Industrial

Dock light

42" Extension incandescent



Project: _____
Location: _____
Cat.No: _____
Type: _____
Lamps: _____ Qty: _____
Notes: _____

CATALOG NUMBER:

ID1K42-120

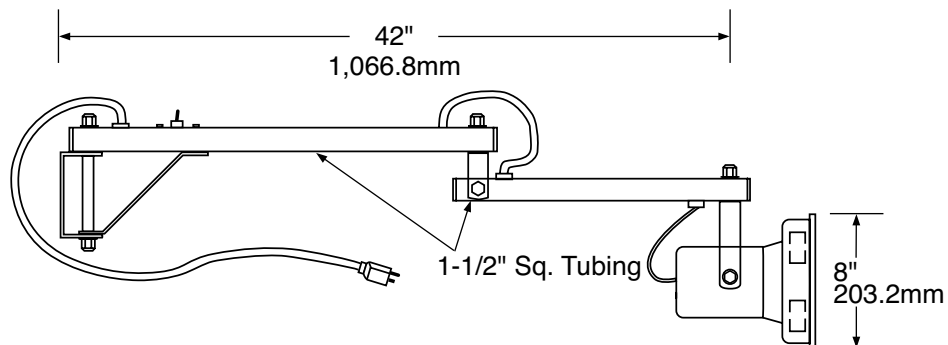
Construction/Finish

- The Dock Light is shipped fully assembled.
- All metal construction for extended life.
- Totally adjustable 42" arm length.
- 1-1/2" steel square tubing construction.
- Rust proof aluminum reflector.
- Integral mounted weather-proof toggle switch.
- Painted "safety yellow" after fabrication for high visibility.
- Meets NEC and OSHA general safety requirements.
- Zinc plated heavy duty mounting brackets for corrosion resistance.

Electrical

- UL listed, suitable for damp location.
- Fixture supplied with 4' black 16/3 type SJ cord with molded plug.
- Lamp head supplied with cord and plug for ease of replacement.
- 120v incandescent lamp, PAR 38 or R40 up to 300w.
- High temperature medium base porcelain socket.
- Integral mounted weatherproof toggle switch.

Dimensions



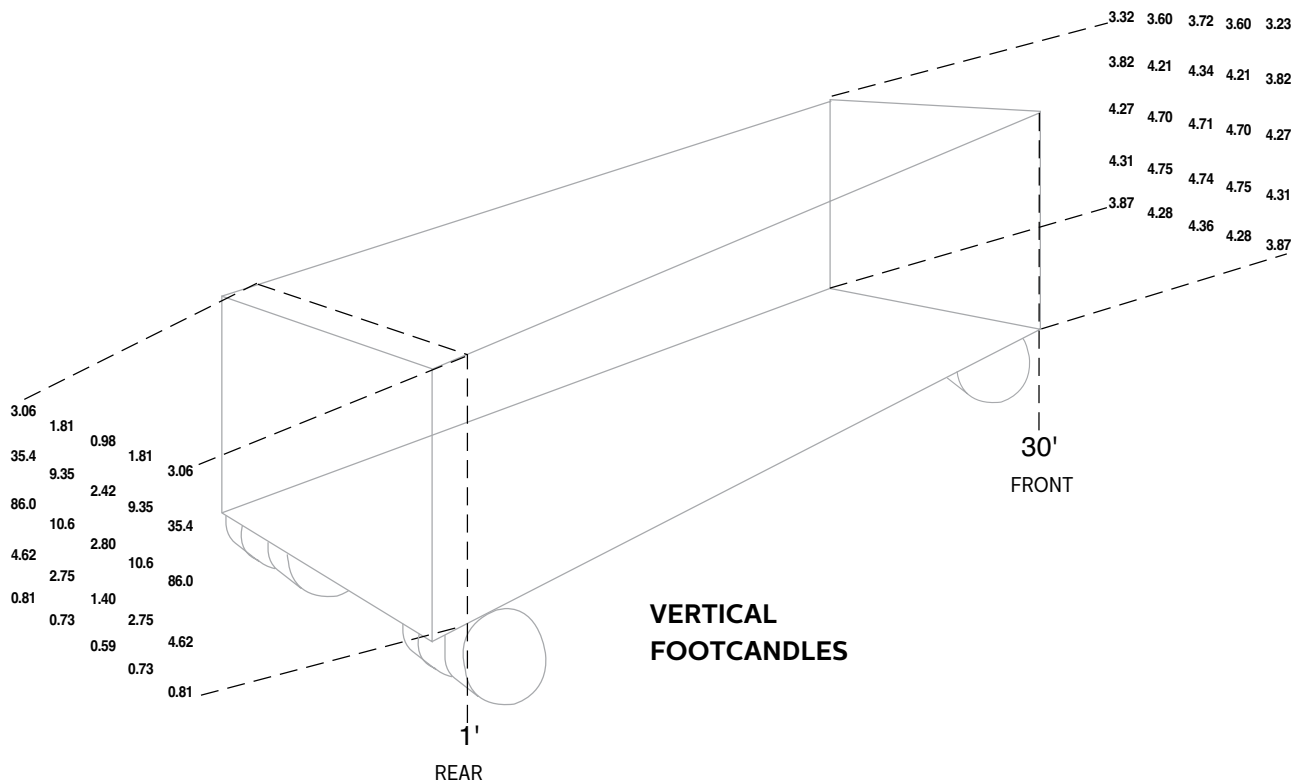
ID Industrial dock light

Photometry

WITH 90w PAR 38 LAMP

	5.0	3.8	3.3	1.6	1.0	0.7	0.5	0.4	0.5	
	3.3	2.7	3.0	1.9	1.2	0.7	0.5	0.4	0.5	
	1.9	1.9	2.3	2.0	1.2	0.7	0.5	0.4	0.5	
REAR	3.3	2.7	3.0	1.9	1.2	0.7	0.5	0.4	0.5	FRONT
	5.0	3.8	3.3	1.6	1.0	0.7	0.5	0.4	0.5	
	1'									30'

HORIZONTAL FOOTCANDLES AT 2' 6" ABOVE FLOOR



Some luminaires use fluorescent or high intensity discharge (HID) lamps that contain small amounts of mercury. Such lamps are labeled, "Contain Mercury" and/or the symbol "HG". Lamps that contain mercury must be disposed of in accordance with local requirements. Information regarding lamp recycling and disposal can be found at www.lamprecycle.org

