

Project: _____

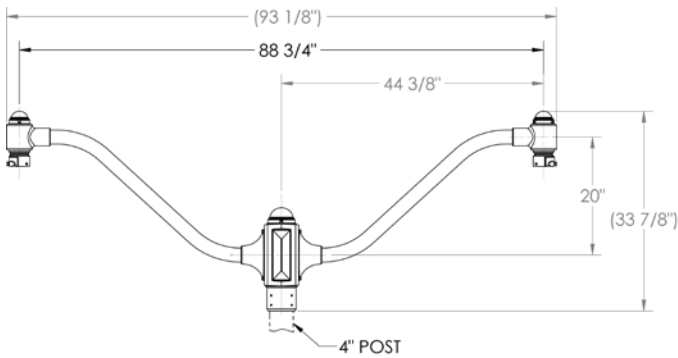
Location: _____

Cat.No: _____

Type: _____

Lamps: _____ Qty: _____

Notes: _____



Ordering Guide

Example: 263DB ABS Twist-lock

Product Code	263DB	Bracket Arm
Finish	ABS	Antique Brass
	ACP	Antique Copper
	ARD	Antique Red
	ASI	Antique Silver
	BLK	Black
	BRN	Brown
	BRZ	Bronze
	FGN	Forest Green
	GRA	Granite
	IRN	Ironstone
	RBZ	Rustic Bronze
	SRT	Shadow Rust
	VBZ	Verde Bronze
	VCP	Verde Copper
	VGN	Verde
	VTC	Vintage Copper
	WBZ	Weathered Bronze
	WHT	White
Photo Control	Twist-lock	Twist-lock photocell supplied

Specifications

CONSTRUCTION:

Cast aluminum decorative end cap (removable). Three cast aluminum post caps. 2" dia. aluminum formed arm. Cast aluminum access door. Cast aluminum 4" I.D. post fitter.

FINISH:

Resilient TGIC thermoset polyester powdercoat paint is electrostatically applied to every fixture. Specially formulated for Philips Outdoor Lighting, it provides UV protection, and the highest temperature rating in the industry. In addition to the standard color choices shown, a spectrum of custom colors is available.

MOUNTING:

Fixture mounts to 4" I.D. post.

WARRANTY:

Three-year limited warranty.

Height:
33 7/8"

Width:
93 1/8"

Max. Weight:

