

READ AND UNDERSTAND THESE INSTRUCTIONS BEFORE INSTALLING FIXTURE
 This fixture is intended for installation in accordance with the National Electrical Code and local regulations. To assure full compliance with local codes and regulations, check with your local electrical inspector before installation. To prevent electric shock, turn off electricity at fuse box before proceeding. Retain these instructions for maintenance reference.

INSTRUCTION SHEET NO.

IS:C120

A1099

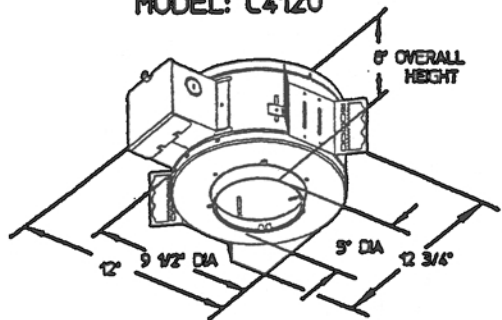
Page 1 of 4

**INSTALLATION PROCEDURE FOR: C4120, C4A120,
 C6120, C6A120, C6D120, C6DA120 -- RECESSED FRAME-IN-KIT**

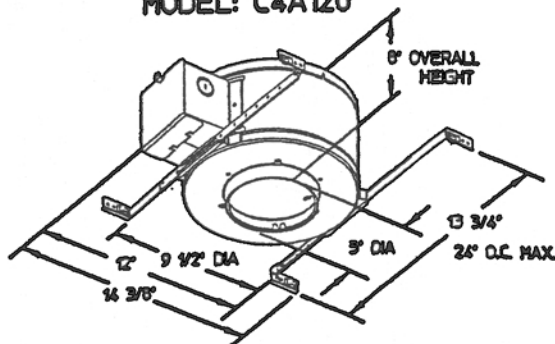
WARNING: RISK OF FIRE! DO NOT INSTALL INSULATION WITHIN 3 INCHES OF FIXTURE SIDES OR WIRING COMPARTMENT, NOR ABOVE FIXTURE IN SUCH A MANNER SO AS TO ENTRAP HEAT.

WARNING: USE ONLY REFLECTOR TRIMS PROVIDED BY LIGHTOLIER. USE OF OTHER MANUFACTURERS' REFLECTOR TRIMS MAY VOID THE UNDERWRITERS LABORATORIES LISTING AND COULD CONSTITUTE A FIRE HAZARD.

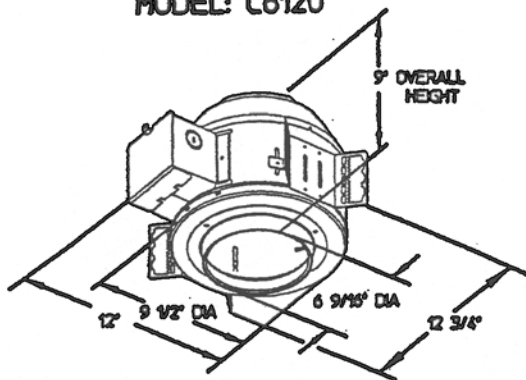
MODEL: C4120



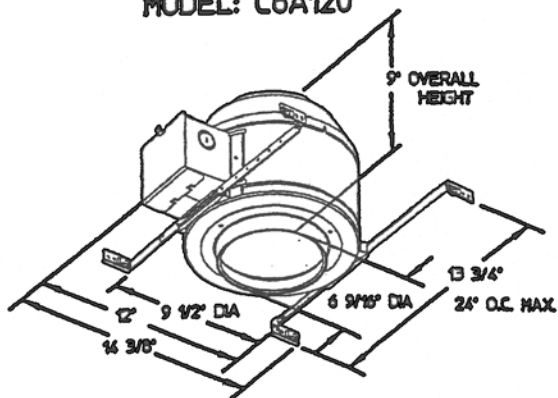
MODEL: C4A120



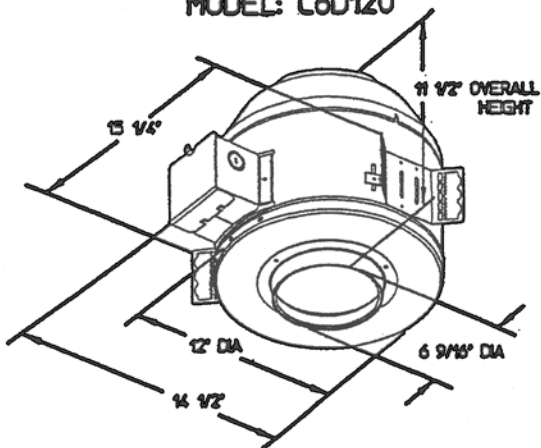
MODEL: C6120



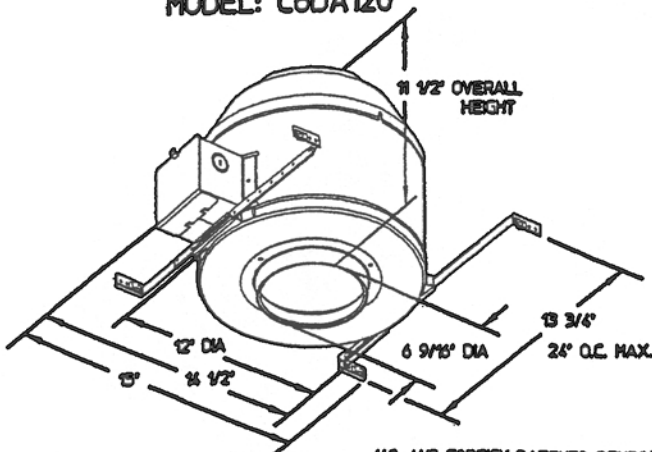
MODEL: C6A120



MODEL: C6D120



MODEL: C6DA120



U.S. AND FOREIGN PATENTS PENDING

READ AND UNDERSTAND THESE INSTRUCTIONS BEFORE INSTALLING FIXTURE
 This fixture is intended for installation in accordance with the National Electrical Code and local regulations. To assure full compliance with local codes and regulations, check with your local electrical inspector before installation. To prevent electric shock, turn off electricity at fuse box before proceeding. Retain these instructions for maintenance reference.

**INSTALLATION PROCEDURE FOR:
 C4120, C6120, C6D120, -- RECESSED FRAME-IN-KIT**

A. FRAME-IN AND WIRE-IN

1. Install **MOUNTING FRAME** using **ADJUSTABLE MOUNTING BRACKETS**. (As shown below). Fixture must be secured to structural ceiling members. Connect to supply leads: white fixture lead to neutral

(white) supply, black fixture lead to hot supply lead, bare fixture wire to supply ground. Use wirenuts (local hardware items). Place all electrical connections in the **J-BOX**. Attach **J-BOX COVER** onto **J-BOX**.

a. With **MOUNTING BARS** (order separately) 18" - Cat. No. 1950; 27" - Cat. No. 1951, using rectangular slots as shown.

b. With 1/2" (11/16" O.D.) EMT tubing (by others)

c. With 3/4" or 1-1/2" CHANNELS (by others)

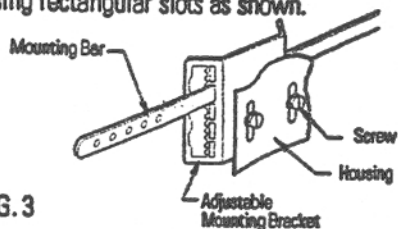


FIG. 3

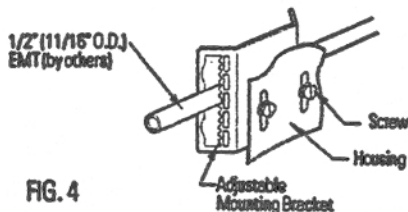


FIG. 4

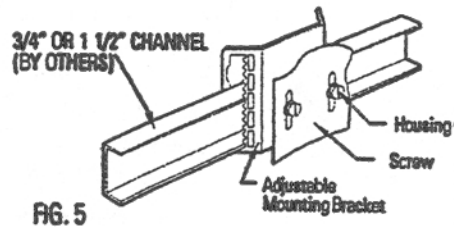


FIG. 5

For suspended T-bar ceilings, T-Bar **ANCHOR CLIPS** ACCESSORY NO. 1956 (order separately) may be used with 18", 27" **MOUNTING BARS** (Fig. 6) or simply wire **MOUNTING BARS**, **TUBING**, or **CHANNELS** to ceiling members (Fig. 7).

For wood joist construction, **MOUNTING BARS** (order separately): 18"-Cat. No. 1950; 27"-Cat. No. 1951, may be used to secure **HOUSING** to joist. For 16" spaced joist, simply place **FIXTURE** between joists with **MOUNTING BARS** parallel with joists and use nails to secure it to the joists (See Fig. 8). For 24" spaced joists, bend **MOUNTING BARS** at appropriate points and use nails to secure them to the joists (See Fig. 9).

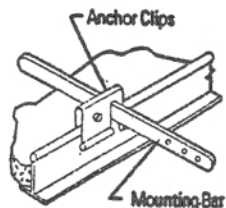


FIG. 6

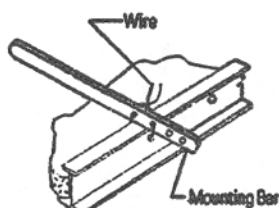


FIG. 7

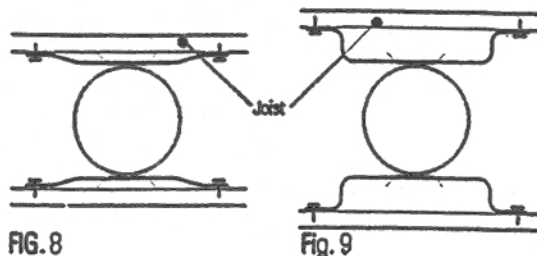


FIG. 8

Fig. 9

B. ADJUST MOUNTING FRAME

1. For Flangeless Trim, Plaster Ceiling. (Fig. 10) **SET MOUNTING FRAME** so that bottom edge is flush with finished ceiling, as shown. Maximum ceiling thickness, 3/4"
2. For Overlapping Trim, Plaster or Dry Ceiling. (Fig. 11) **SET MOUNTING FRAME** so bottom edge is flush with, or no higher than 1/4", above finished ceiling, as shown.

NOTE: Final vertical adjustment can be made by means of mounting bracket screws (Fig. 3 or 12) on inside or outside of housing.

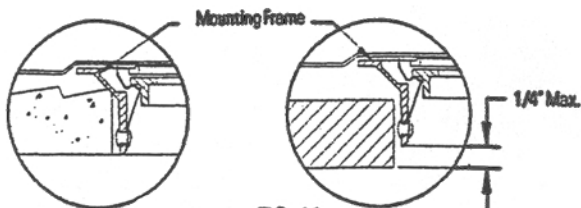


FIG. 10

FIG. 11

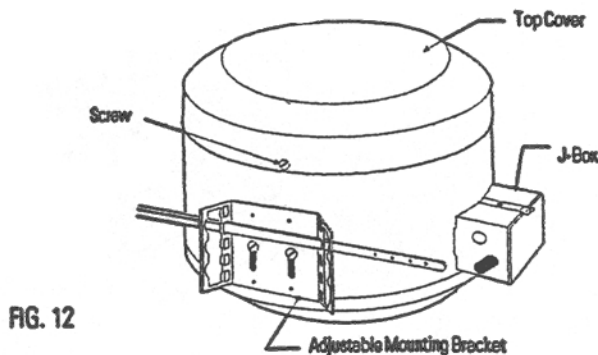


FIG. 12

U.S. AND FOREIGN PATENTS PENDING

READ AND UNDERSTAND THESE INSTRUCTIONS BEFORE INSTALLING FIXTURE
 This fixture is intended for installation in accordance with the National Electrical Code and local regulations. To assure full compliance with local codes and regulations, check with your local electrical inspector before installation. To prevent electric shock, turn off electricity at fuse box before proceeding.
 Retain these instructions for maintenance reference.

INSTRUCTION SHEET NO.

IS:C120

A1099

Page 3 of 4

**INSTALLATION PROCEDURE FOR:
 C4120, C6120, C6D120, -- RECESSED FRAME-IN-KIT**

C. CLOSE-IN

Close in ceiling as required.

D. INSTALLING SOCKET HARNESS

E. INSTALLING HOUSING TRIMS

F. FIXTURE TRIM ADJUSTMENT

} SEE SEPARATE
 REFLECTOR TRIM
 INSTRUCTION
 SHEETS

G. TOP RELAMPING (Fig. 12)

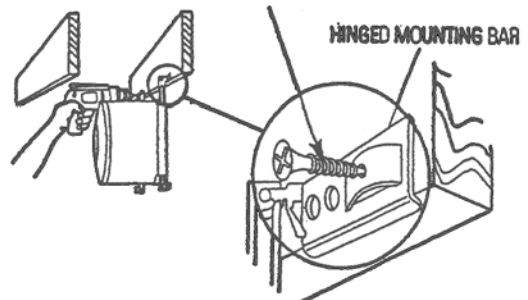
Loosen two screws and pull TOP COVER up.

**INSTALLATION PROCEDURE FOR:
 C4A120, C6A120, C6DA120, -- RECESSED FRAME-IN-KIT**

Note: Integral nail version available

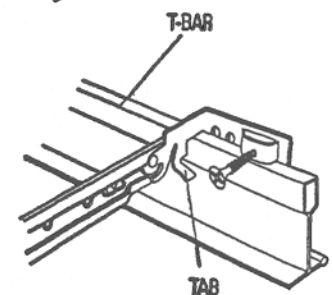
FRAME-IN

Locate fixture along joist and line up bottom edge of HINGED MOUNTING BAR with the bottom of joist and fasten in place.



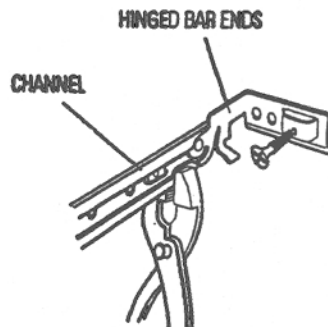
FOR JOIST SPACING LESS THAN 16" ON CENTER (TO 12" ON CENTER):

- MOUNTING BAR CHANNELS can be shortened and used as nailing legs in tight spaces. Simply remove INNER BAR from holed CHANNEL, bend CHANNEL at appropriate point and use extra screw to secure it to the joist.



For suspended ceilings:

- Rotate HINGED BAR ENDS to position shown and fully extend bars.
- Crimp bottom of edge of CHANNEL to prevent rotation of HINGED BAR ENDS.
- Position notched area of MOUNTING BARS onto T-BAR and lock by bending TAB underneath T-BAR BEAD as shown.



U.S. AND FOREIGN PATENTS PENDING

READ AND UNDERSTAND THESE INSTRUCTIONS BEFORE INSTALLING FIXTURE

This fixture is intended for installation in accordance with the National Electrical Code and local regulations. To assure full compliance with local codes and regulations, check with your local electrical inspector before installation. To prevent electric shock, turn off electricity at fuse box before proceeding. Retain these instructions for maintenance reference.

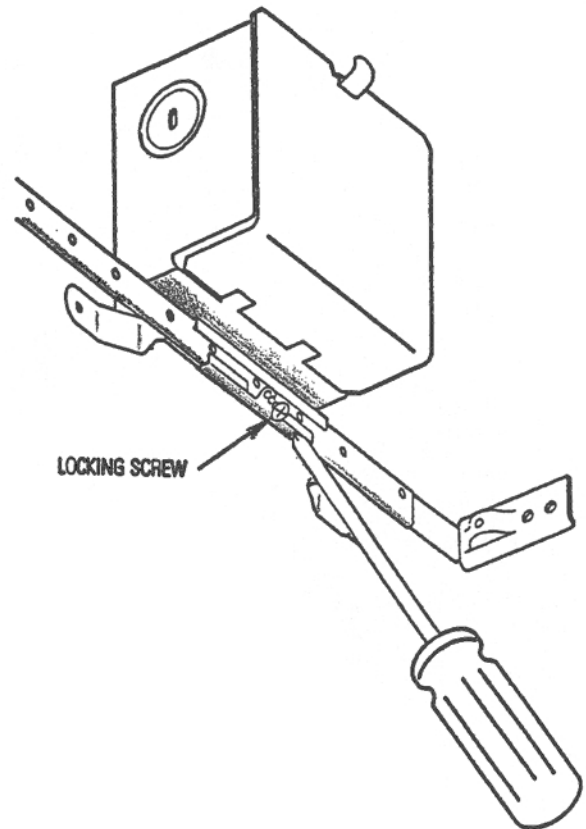
INSTALLATION PROCEDURE FOR: C4A120, C6A120, C6DA120, -- RECESSED FRAME-IN-KIT

WIRE-IN

Connect the BARE fixture ground wire to the SUPPLY GROUND. Connect the single WHITE fixture lead to the COMMON (neutral) supply lead. Connect the BLACK fixture lead to the HOT supply lead. Use wire-nuts (local hardware item). Place all connections in JUNCTION BOX and replace JUNCTION BOX COVER.

SWING-UP

Extend MOUNTING BAR to reach opposite joist and fasten in place. Adjust to desired position along MOUNTING BAR and lock in place using LOCKING SCREW.



AIRSEAL® INSTALLATION (optional)

Install a bead of silicone caulking compound between the ceiling opening and edge of HOUSING. Housings are tested in accordance with ASTM E 283 (max 2 cfm @ 75 ps) and comply with WSEC & MEC when installed as instructed.

CLOSE-IN

Close in ceiling as required.

INSTALLING SOCKET HARNESS

INSTALLING HOUSING TRIMS

FIXTURE TRIM ADJUSTMENT

} SEE SEPARATE REFLECTOR TRIM INSTRUCTION SHEETS

U.S. AND FOREIGN PATENTS PENDING