


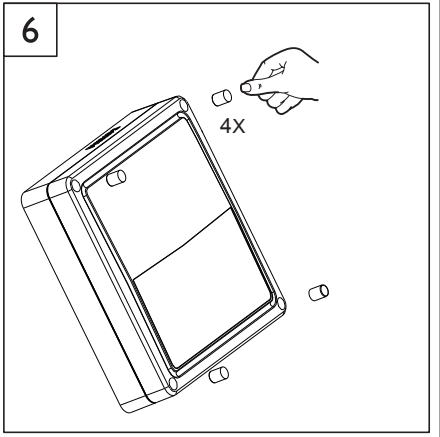
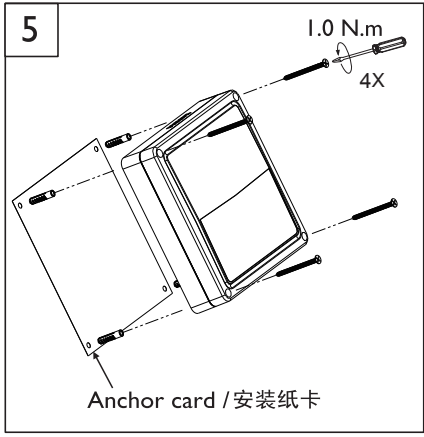
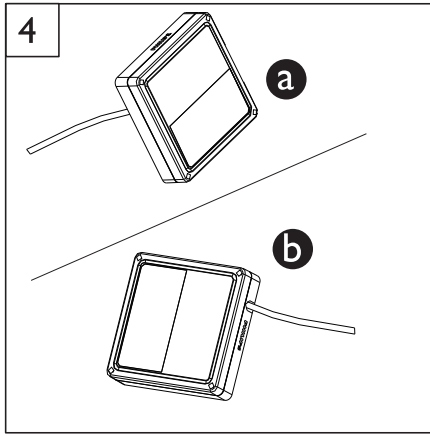
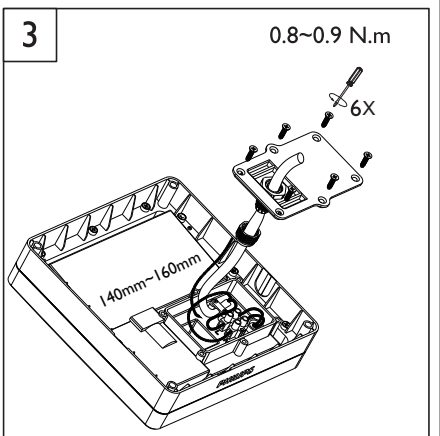
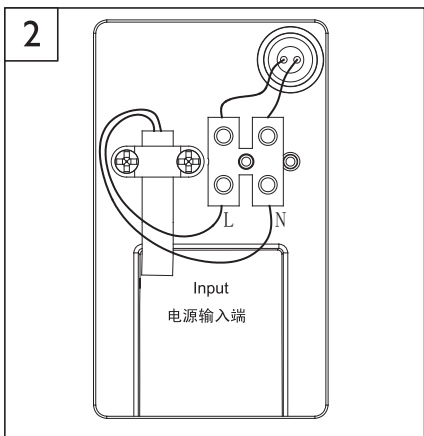
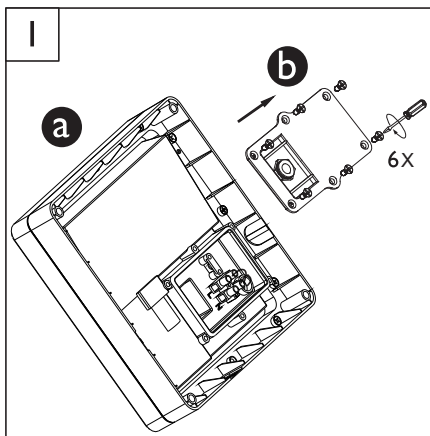
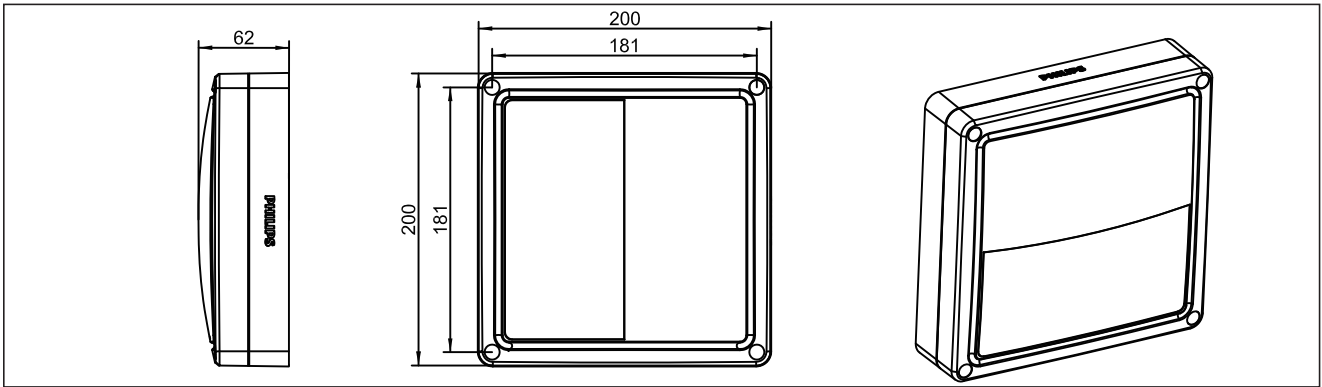
LED Wall Mount/LED 外墙灯

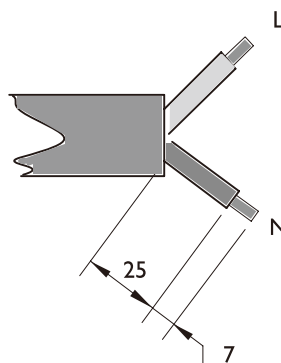
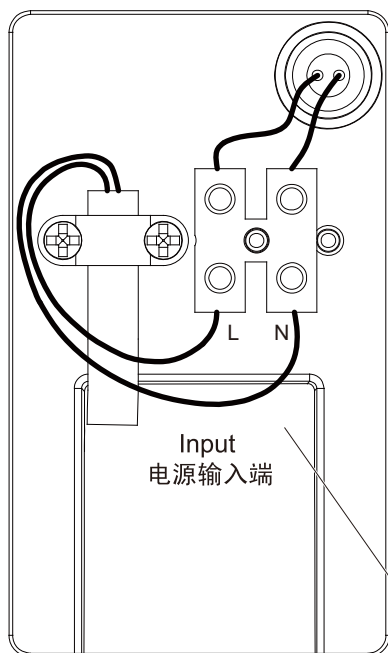
BWS151

Mounting instruction 安装说明



Type Number 产品型号	LEDs 颗粒数	Power 功率	Voltage 电压	Frequency 频率	
BWS151 LED200	96	6.5W	220-240V	50/60Hz	0.68





Power wires $2 \times 1 \text{mm}^2$, wire diameter 6-8mm
 电源线 $2 \times 1 \text{mm}^2$, 线径 6~8mm



1. The luminaire shall be installed by a qualified electrician and wired in accordance with the latest IEE electrical regulations or the national requirements.
 灯具应由有资格的电工安装，接线要符合IEE电气标准或国家标准。
2. The luminaire is complied to IEC 60598-1 ed. 6 or GB 7000.1-2007.
 此灯具是依据IEC 60598-1 ed. 6 或国标GB 7000.1-2007所制造。
3. The luminaire shall, under no circumstance, be covered with thermal insulation matting or similar material.
 灯具不能被隔热或类似材料覆盖。
4. Do not switch on before complete installation.
 接线过程中，切勿通电。