

Day-Brite

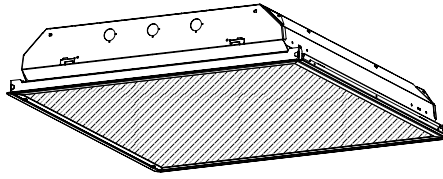
CFI

by @ignify

Special Application

Designer wet location
troffer 2x2

T5, T8, T5HO, or TT5



Project: _____
 Location: _____
 Cat.No: _____
 Type: _____
 Lamps: _____ Qty: _____
 Notes: _____

Day-Brite / CFI Designer wet location troffer is a recessed luminaire cULus Listed for damp and wet locations (for covered ceiling use only).

Ordering guide

Example: 2DPWLG217-FS01-UNV-1/2-EBHE-LPT835HL-PAF

Width	Family	Ceiling Type	No. of Lamps (not included)	Lamp Type	Door Frame	Lens	Voltage	Options
2	DPWL			-		-	-	
2 2'	DPWL Designer wet location	G Grid F Flange Z Z Spline/Modular	2 3 (Except 3IU6) 4 (14, 17, 24HO or CF40 only)	14 14WT5 (22") 17 17WT8 (24") 24HO 24WT5HO (22") 31U1 31WT8 1-5/8" (24") 31U6 31WT8 6" (24") CF40 40WTT5 (24") CF50 50WTT5 (24") CF55 55WTT5 (24")	FA Flat Aluminum FS Flat Steel	01 Pattern 12 prismatic acrylic 12 K-12, 125" nominal 19 K-19, .156" nominal 21 Pattern 12, 125" nominal	120 277 347 UNV Universal Voltage 120-277V	1/2 One 2-lamp ballast 1/3 One 3-lamp ballast 1/21 2-lamp & 1-lamp ballasts 1/4 One 4-lamp ballast 2/2 Two 2-lamp ballasts EBSD T8 electronic step dimming ballast, .88 ballast factor EBD7 Advance Mark 7 dimming ballast, 0-10V (low voltage) control EBDX Advance Mark 10 dimming ballast, phase control EBD Electronic dimming ballast, customer specified EB Electronic ballast, <10% THD std. ballast factor EB10I CF40 electronic ballast, <10% THD, instant start EB10R T8 electronic ballast, <10% THD, program rapid start EBHE T8 electronic ballast, high efficiency std. ballast factor EBLHE T8 electronic ballast, high efficiency low ballast factor EBHHE T8 electronic ballast, high efficiency high ballast factor F1 3/8" flex, 3 wire 18 gauge 6' F2 3/8" flex, 4 wire 18 gauge 6' F2/5W 3/8" flex, 5 wire 18 gauge 6' E1 B100 emerg. ballast, T8, 350-450 lumens, 120/277V E7 B60 emerg. ballast, T8, 600-700 lumens, 120/277V E5 B50 emerg. ballast, T8, 1100-1400 lumens, UNV ES5T B50ST emerg. ballast, w/self test, US or Canada market, T8, 1100-1400 lumens, UNV E7LP LP550 emerg. ballast T5/T5HO, 430-700 lumens, 120/277V E6LP LP600 emerg. ballast, T5/T5HO, 750-1325 lumens, 120/277V GLR Fusing, fast blow LPT830HL Installed T8 hi lumen lamps, 80+ CRI, 3000K LPT835HL Installed T8 hi lumen lamps, 80+ CRI, 3500K LPT841HL Installed T8 hi lumen lamps, 80+ CRI, 4100K LPT830 Installed T8/T5/T5HO/CF lamps, 80+ CRI, 3000K LPT835 Installed T8/T5/T5HO/CF lamps, 80+ CRI, 3500K LPT841 Installed T8/T5/T5HO/CF lamps, 80+ CRI, 4100K 1W 1-way gasketing, between lens & door frame 2W 2-way gasketing, 1W + gasketing between door frame & housing 3W 3-way gasketing, 2W + gasketing for field installation between housing & ceiling PAF Housing painted after fabrication CHIC Chicago plenum rated

Accessories (order separately)

- FKDP22 – Flange conversion kit 2x2
- FMA22 – 2'x2' "F" mounting frame for NEMA "F" mounting



2DPWL Designer wet location troffer 2x2

T8, T5, T5HO, or TT5

Application

- Premium quality recessed static troffer for use in:
 - Grid inverted T (NEMA “G”) ceilings.
 - Flange-type ceilings with concealed mechanical suspension (NEMA “F”)
 - Modular and “Z” spline (NEMA “M/Z”) ceilings.

Construction/Finish

- Die formed steel housing.
- Housing is multi-stage phosphate treated for maximum corrosion resistance and finish coat is high reflectance baked white enamel.
- Housing painted after stamping (PAF) option is highly recommended for areas of high humidity.
- Models utilizing 3 ballasts will be supplied with a top mounted ballast box, which will increase the height of the luminaire.

- Factory installed access plate includes 7/8" hole, 7/8" knockout and grounding screw.
- T-bar grid clips built into fixture, no extra parts required. Designed for use with standard grid ceiling members, 1-1/2" maximum height.
- One-piece housing feature integral end plates that increase rigidity and minimize damage from handling or shipping.
- Not suitable for hose-down applications.

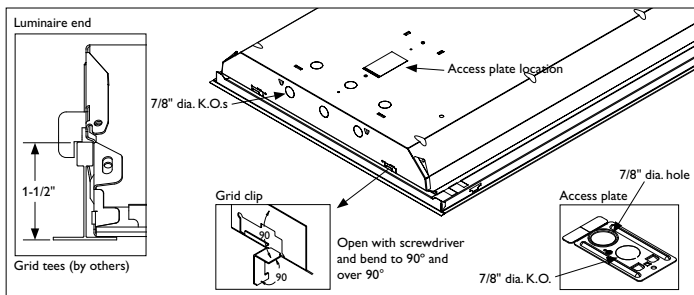
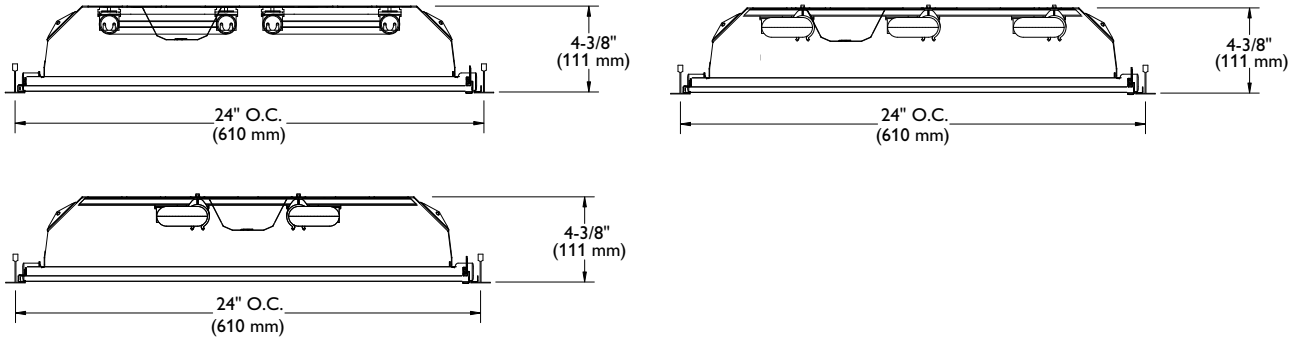
Electrical

- cULus listed for wet and damp location for covered ceiling use only.
- Models incorporating standard emergency ballasts will be listed for damp locations.

Enclosures

- Flat steel door is standard.
- Extruded aluminum door optional.
- Door frames have mitered corners and are painted after fabrication with polyester powder coating.
- Closed cell neoprene gasketing between housing and door frame where required.
- T-Hinges are standard for positive support of the enclosure.
- White guide-post spring loaded latches are standard for ease of use and secure retention of the door frame and lens.

Dimensions



2DPWL Designer wet location troffer 2x2

T8, T5, T5HO, or TT5

Photometry

DPWL 2x2 2 Lamp T8U6

Efficiency – 76.5%

LER – 69

TER – 61

Catalog No.	2DPWLG231U6-FS01-1/2-EB	Candlepower				Light Distribution				Average Luminance					
		Angle	End	45	Cross	Degrees	Lumens	% Lamp	% Luminaire	Angle	End	45"	Cross		
Test No.	22784P3	0	1752	1752	1752	0-30	1370	24.5	32.0	45	4453	4746	5062		
S/MH	1.3	5	1738	1747	1751	0-40	2222	39.7	51.8	55	3620	3919	4185		
Lamp Type	FB032T8/6	10	1710	1727	1739	0-60	3638	65.0	84.8	65	2775	2591	3097		
Lumens/Lamp	2800	15	1665	1695	1719	0-90	4287	76.5	100.0	75	2766	1952	2566		
Ballast Factor	.88	20	1598	1647	1687					85	3122	2602	2899		
Input Watts	55	25	1511	1578	1635	Coefficients of Utilization									
Comparative yearly lighting energy cost per 1000 lumens – \$3.48 based on 3000 hrs. and \$.08 pwr KWH. The photometric results were obtained in the Day-Brite laboratory which is NVLAP accredited by the National Institute of Standards and Technology.		30	1403	1488	1558	EFFECTIVE FLOOR CAVITY REFLECTANCE 20 PER (pfc=0.20)									
		35	1283	1371	1444	pcc	80			70			50		
		40	1143	1211	1295	pw	70	50	30	70	50	30	50	30	
		45	972	1036	1105	RCR									
		50	799	867	914	0	91	91	91	89	89	89	84	84	
		55	641	694	741	1	83	81	77	81	79	76	76	72	
		60	484	510	570	2	77	70	66	75	69	65	67	63	
		65	362	338	404	3	70	63	56	68	61	56	59	55	
		70	278	217	286	4	65	56	50	63	55	48	53	47	
		75	221	156	205	5	59	51	44	57	50	44	47	42	
		80	166	127	149	6	56	46	39	54	45	39	44	38	
85	84	70	78	7	52	41	34	50	40	34	40	34			
				8	47	38	32	46	38	32	36	30			
				9	45	34	28	44	34	28	34	28			
				10	41	33	27	40	32	27	30	26			

DPWL 2x2 3 Lamp FB31U1

Efficiency – 75.5%

LER – 72

TER – 65

Catalog No.	2DPWLG331U1-FS01-1/3-EB	Candlepower				Light Distribution				Average Luminance					
		Angle	End	45	Cross	Degrees	Lumens	% Lamp	% Luminaire	Angle	End	45"	Cross		
Test No.	22814P3	0	2657	2657	2657	0-30	2067	24.6	32.6	45	6629	7032	7398		
S/MH	1.3	5	2645	2645	2645	0-40	3338	39.7	52.6	55	5314	5642	5885		
Lamp Type	FB31U1	10	2604	2615	2625	0-60	5403	64.3	85.2	65	4024	3687	4384		
Lumens/Lamp	2800	15	2531	2561	2591	0-90	6342	75.5	100.0	75	4068	2854	3692		
Ballast Factor	.88	20	2430	2480	2532	Coefficients of Utilization									
Input Watts	77	25	2295	2374	2449	EFFECTIVE FLOOR CAVITY REFLECTANCE 20 PER (pfc=0.20)									
Comparative yearly lighting energy cost per 1000 lumens – \$3.33 based on 3000 hrs. and \$.08 pwr KWH. The photometric results were obtained in the Day-Brite laboratory which is NVLAP accredited by the National Institute of Standards and Technology.		30	2131	2231	2322	pcc	80			70			50		
		35	1937	2044	2146	pw	70	50	30	70	50	30	50	30	
		40	1705	1794	1900	RCR									
		45	1447	1535	1615	0	90	90	90	88	88	88	83	83	
		50	1189	1273	1310	1	82	79	76	81	78	75	75	71	
		55	941	999	1042	2	76	69	65	73	68	64	66	63	
		60	706	728	789	3	69	61	56	68	60	56	58	54	
		65	525	481	572	4	64	56	50	63	55	48	53	47	
		70	407	311	407	5	58	50	44	57	48	42	47	42	
		75	325	228	295	6	55	46	39	54	45	39	42	38	
		80	243	183	214	7	51	40	34	50	40	34	40	34	
85	128	102	110	8	47	38	32	46	36	32	36	30			
				9	45	34	28	44	34	28	34	28			
				10	41	32	27	40	32	26	30	26			



Some luminaires use fluorescent or high intensity discharge (HID) lamps that contain small amounts of mercury. Such lamps are labeled, "Contain Mercury" and/or the symbol "HG". Lamps that contain mercury must be disposed of in accordance with local requirements. Information regarding lamp recycling and disposal can be found at www.lamprecycle.org

