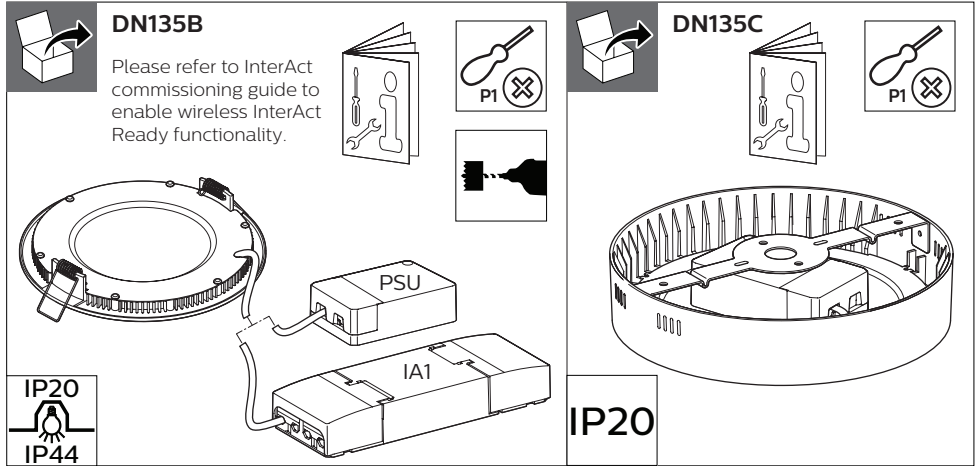


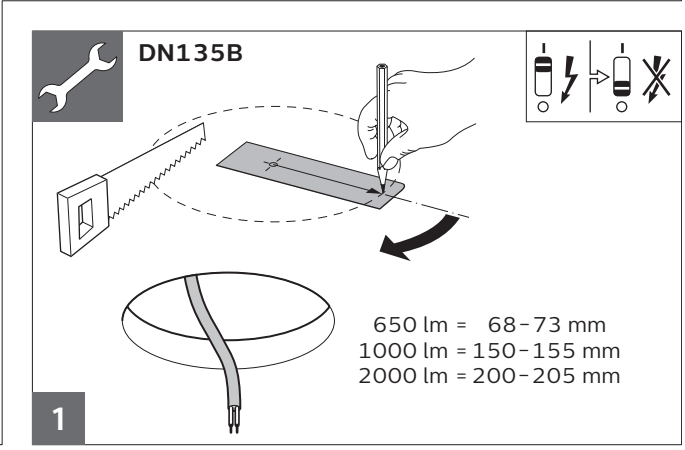
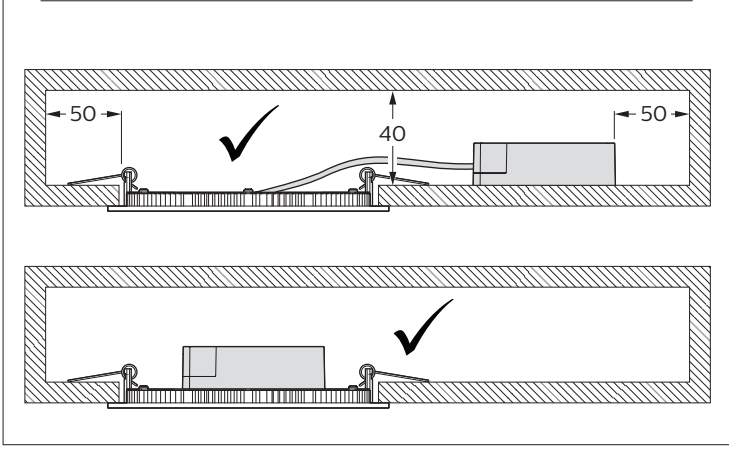
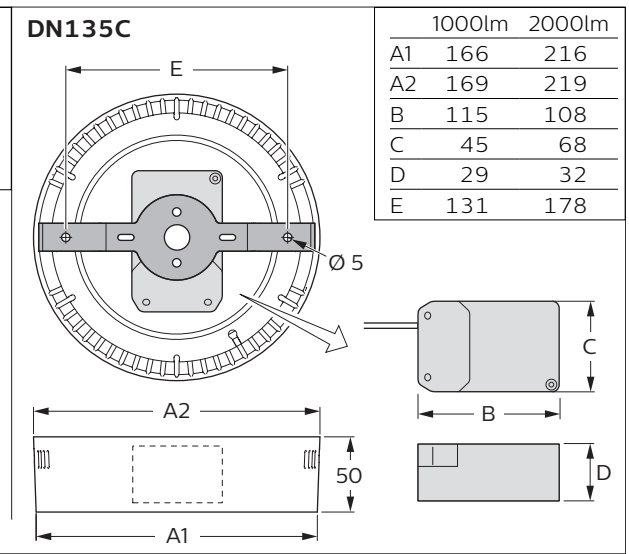
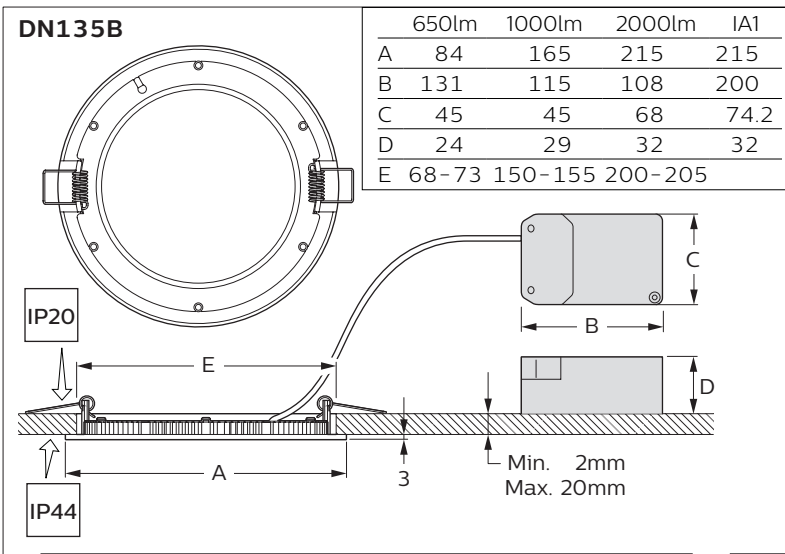
PHILIPS

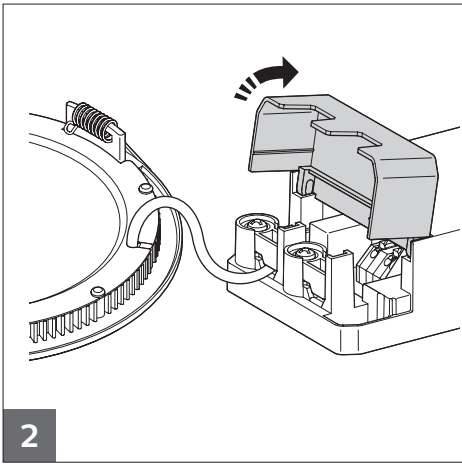
CoreLine SlimDownlight

DN135

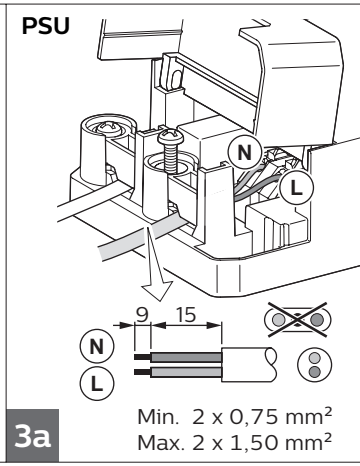


	System lumen(lm)	CCT(K)	Driver	P (W)	Ø mm	kg
DN135B LED6S	650	3000/4000	PSR-E	9.0	68-73	0.200
DN135B LED10S	1000		PSU	13.5	150-155	0.300
DN135B LED20S	2000		PSU	27.6	200-205	0.600
DN135B LED20S	2000		IA1	27.0	200-205	0.670
DN135C LED10S	1000		PSU	13.5	-	0.525
DN135C LED20S	2000	PSU	27.6	-	0.850	

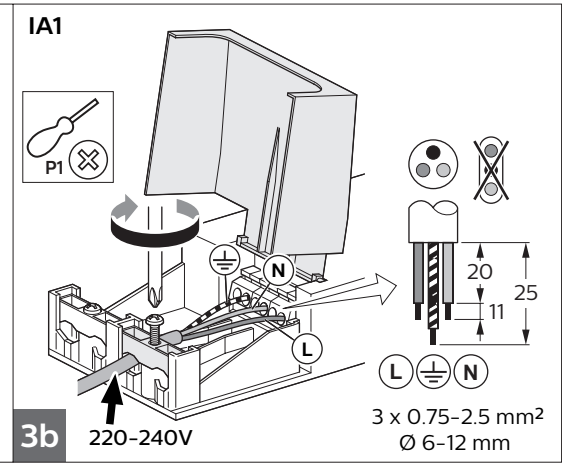




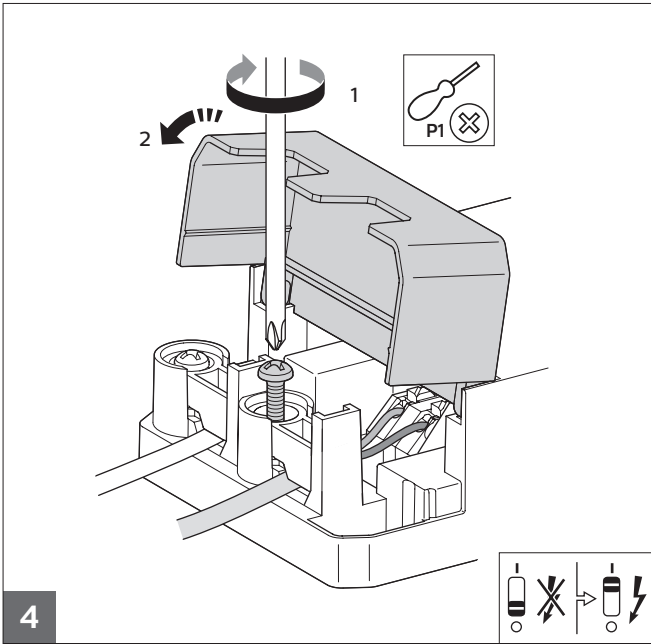
2



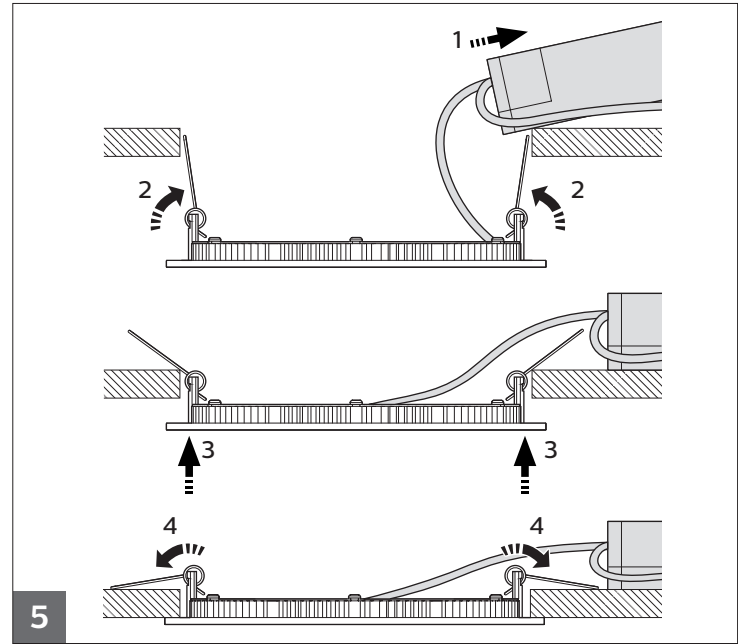
3a



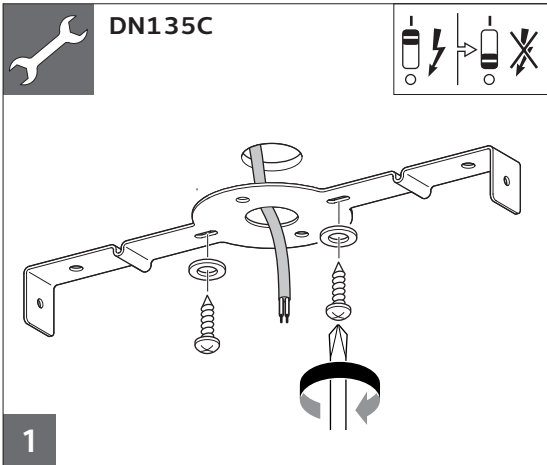
3b



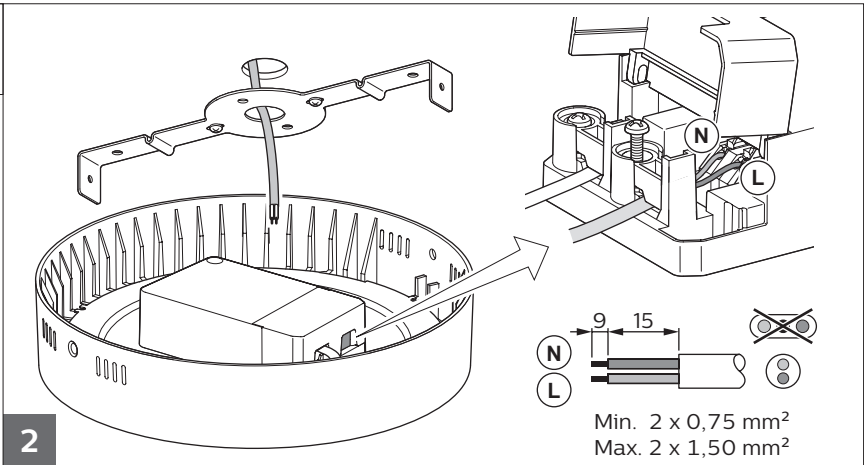
4



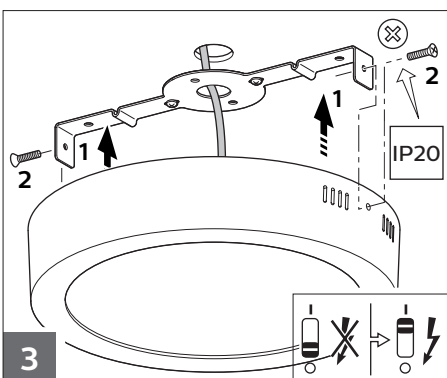
5



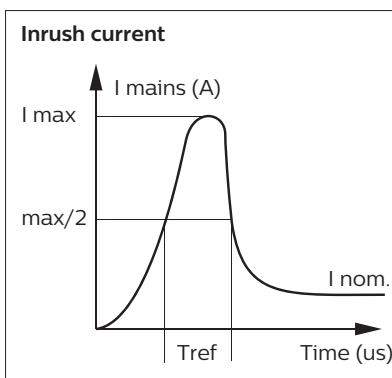
1



2



3



	650lm	1000lm	2000lm	IA1
Electrical characteristics				
I _{max} (A)	7	11	17	12
T _{ref} (μs)	300	200	250	250
MCB Downlights Max.				
B-10 A	25	34	17	15
B-13 A	32	44	22	19
B-16 A	40	55	28	24
C-10 A	40	57	29	25
C-13 A	54	74	37	32
C-16 A	68	93	47	40