

Philips StoreFit Projector ST130T

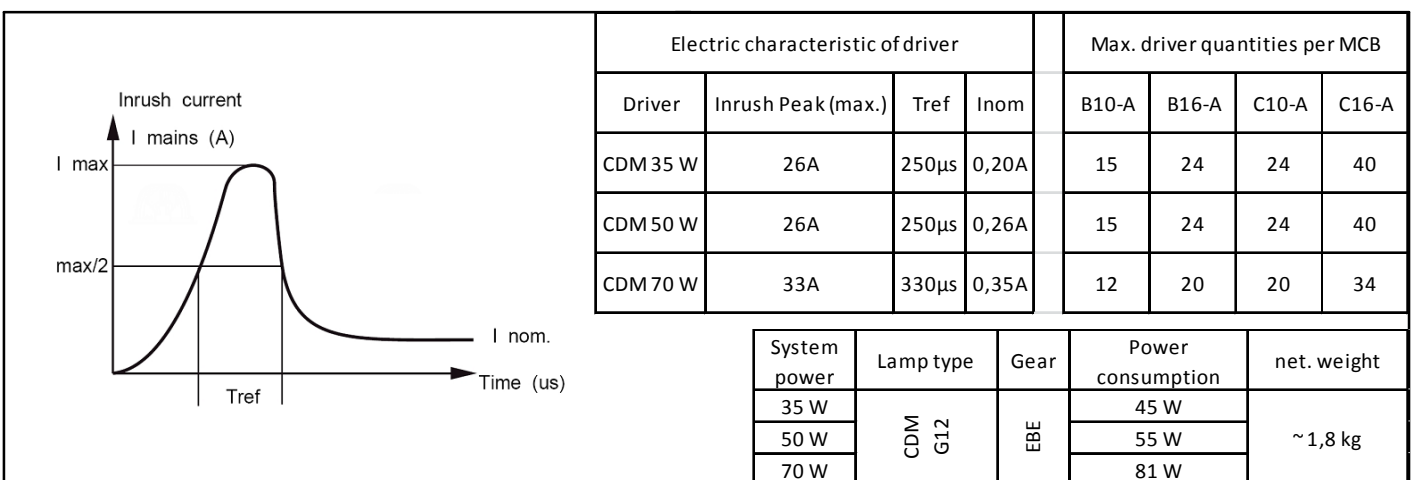
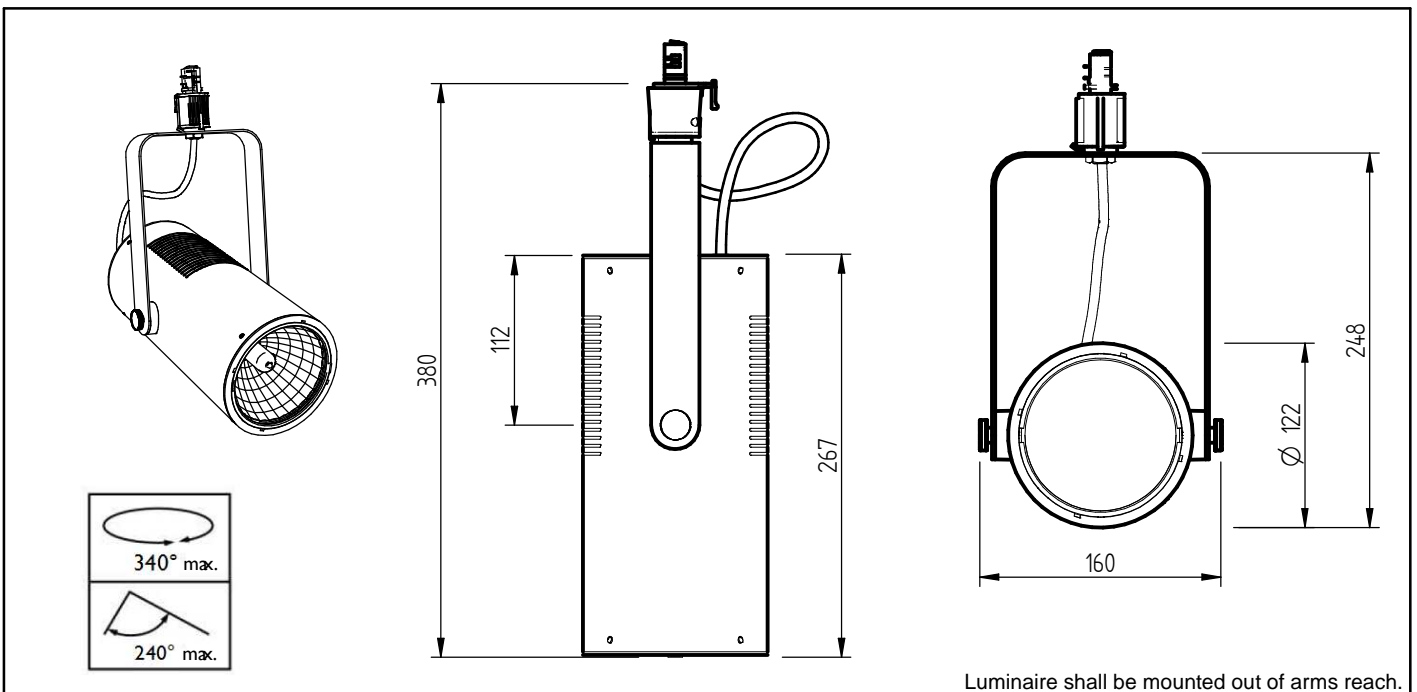
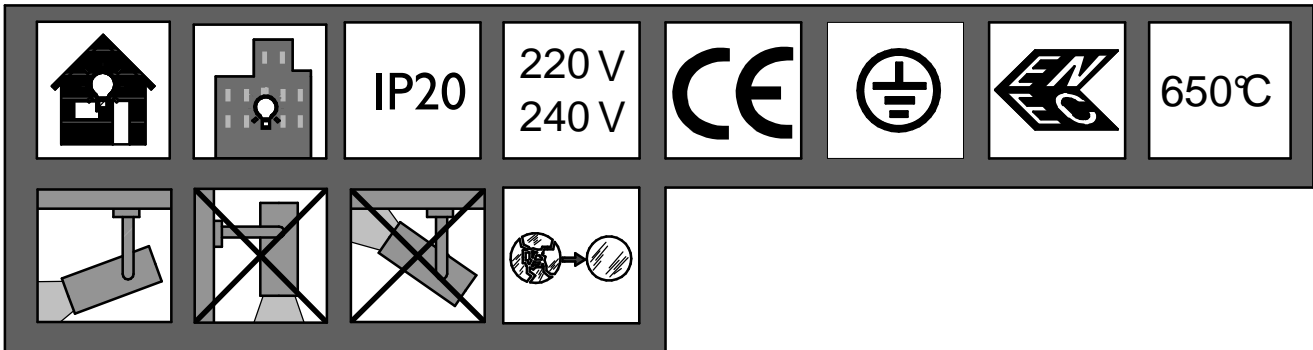
Manual instructions

Instructions de montage
Montageanleitung
Montage instructie
Istruzioni di montaggio

Instrucciones de montaje
Instruções de montagem
Monteringsinstruktioner
Monteringsvejledning

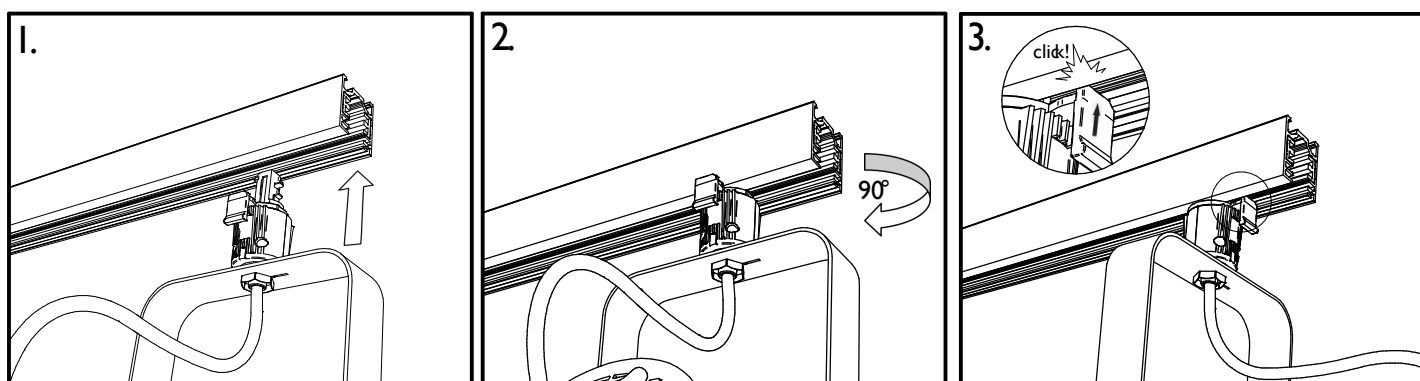
Kokoonpano- ja kiinnitysohjeet
Montaj yönergesi
Odhgjez synarmologhshz
Instrukcja montazu

Szerelési utasítások
Návod k montázi
bycnyerwbz gj vjynf:e
Návod k montázi



I.
4443 160 02882
Version date : 18/02/13
Data Subject to change without notice
Printed in EU
www.philips.com/lighting

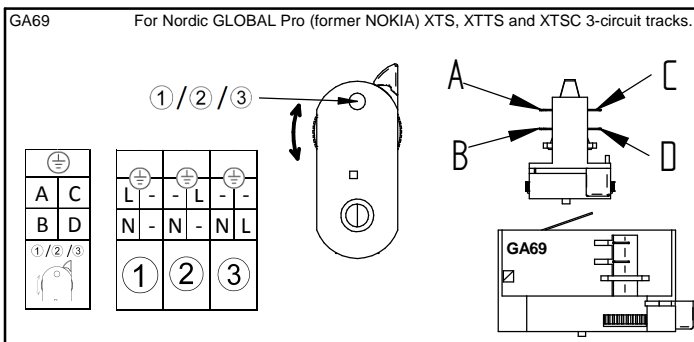
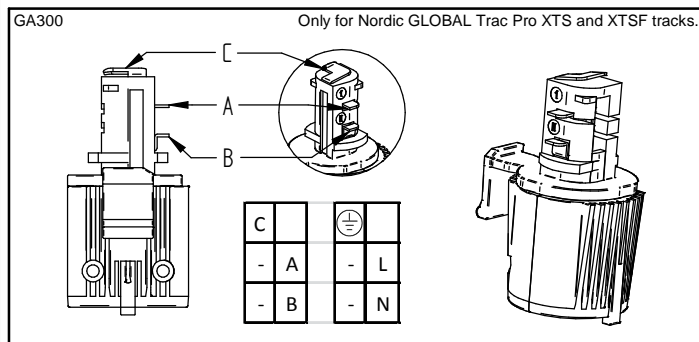
PHILIPS



Installation for GA300

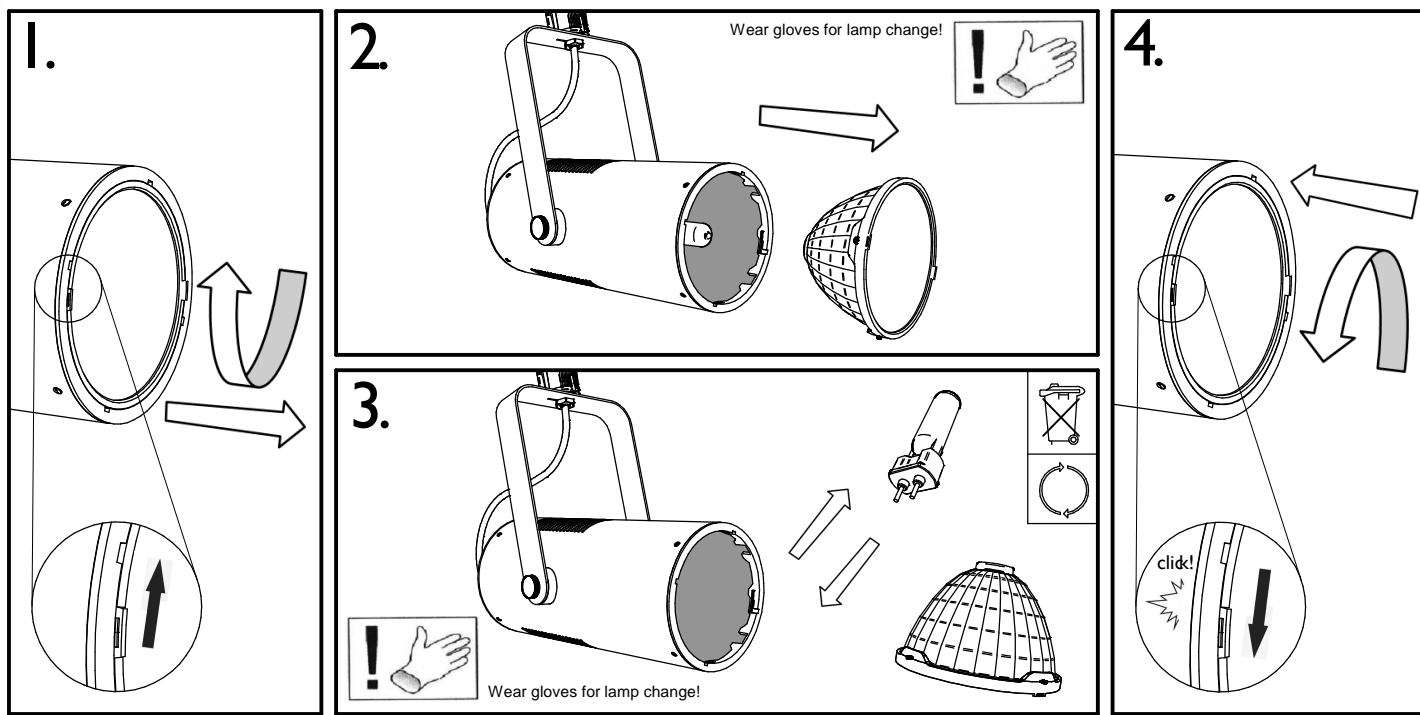
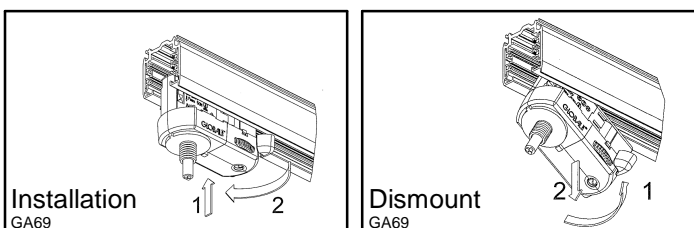
1. Orient track adapter with connectors facing longitudinal.
2. Push in to track.
3. Tilt adapter 90° clockwise, while locking lever 'clicks' in.

NOTE! GA300 adapter is only for Nordic GLOBAL Trac Pro XTS and XTSF tracks. For more compatibility information, please contact your supplier on GA69 option. Phases to be set before installation, by grabbing and rotating connector to correct position on adapter (GA300). To dismount product, push locking lever and rotate counterclockwise. If the external flexible cable or the track adapter is damaged, it shall be exclusively replaced by the manufacturer or his service agent or a similar qualified person in order to avoid a hazard. The luminaire shall only be used complete with its protective shield.



Lamp change

1. Rotate inner ring clockwise while stops.
2. Pull out the ring by grabbing ribs on front.
3. Pull out old lamp, place new (PHILIPS CDM G12).
4. Insert optic unit and rotate counterclockwise while stops.



2

4443 160 02882

Version date : 18/02/13

Data Subject to change without notice

Printed in EU

www.philips.com/lighting

PHILIPS