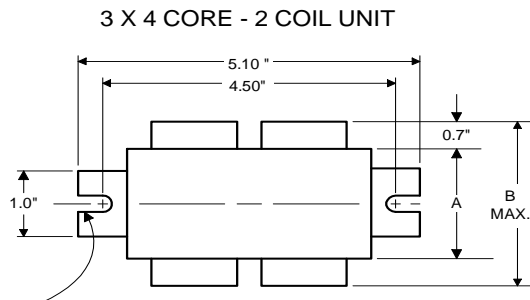


# PHILIPS ADVANCE

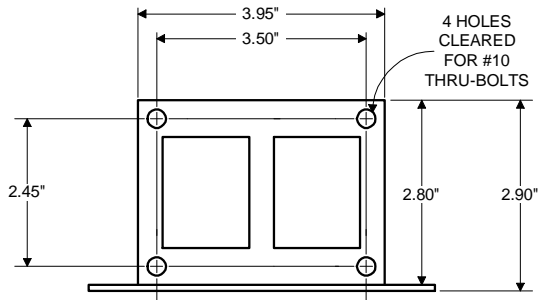
Metal  
Halide  
Lamp Ballast

Catalog Number 71A5340T  
For 100W M90/M140  
60 Hz HX-HPF  
Status: Active

### DIMENSIONS AND DATA

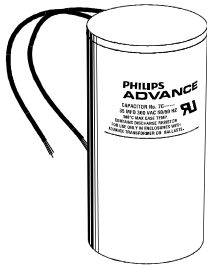


0.25" WIDE  
2 SLOTS



INPUT VOLTS	480				
CIRCUIT TYPE	HX-HPF				
POWER FACTOR (min)	90%				
REGULATION					
Line Volts	±5%				
Lamp Watts	±12%				
LINE CURRENT (Amps)					
Operating.....	0.30				
Open Circuit.....	0.55				
Starting.....	0.30				
UL TEMPERATURE RATINGS					
Insulation Class	H(180°C)				
Coil Temperature Code	1029				
MIN. AMBIENT STARTING TEMP.	-20°F or -30°C				
NOM. OPEN CIRCUIT VOLTAGE	260				
INPUT VOLTAGE AT LAMP DROPOUT.....	340				
INPUT WATTS	132				
RECOMMENDED FUSE (Amps).....	2				
CORE and COIL					
Dimension (A)	1.70				
Dimension (B)	2.90				
Weight (lbs.)	5.5				
Lead Lengths	12"				
CAPACITOR REQUIREMENT					
Microfarads	10.0				
Volts (min.)	300				
Fault Current Withstand (amps)					
60 Hz TEST PROCEDURES (Refer to Advance Test Procedure for HID Ballasts - Form 1270)					
High Potential Test (Volts)					
1 minute	2000				
2 seconds	2500				
Open Circuit Voltage Test (Volts)	234-286				
Short-Circuit Current Test (Amps)					
Secondary Current	1.35-1.65				
Input Current.....	0.24-0.36				

Capacitor: 7C100M30RA



Capacitance: 10  
Dia/Oval Dim: 1.65  
Height: 2.75  
Temp Rating: 105°C

#### Wiring Diagram:

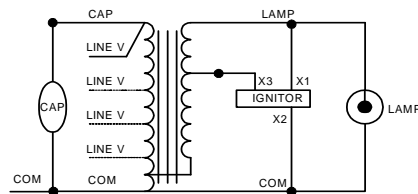


Fig. K

#### Ordering Information

Order Suffix	Description

Ignitor: LI533-H4



Red (X1)  
White (X2)  
Blue (X3)

Ballast to Lamp Distance  
(BTL) = 25 feet  
Temp Rating: 105°C

Data is based upon tests performed by Philips Lighting Electronic N.A. in a controlled environment and representative of relative performance. Actual performance can vary depending on operating conditions. Specifications are subject to change without notice.

Philips Lighting Electronic N.A.

10275 West Higgins Road · Rosemont, IL 60018 · Tel:800-322-2086 Fax:888-432-1882  
Customer Support/ Technical Service:800-372-3331 · OEM Support: 866-915-5886

07/31/09