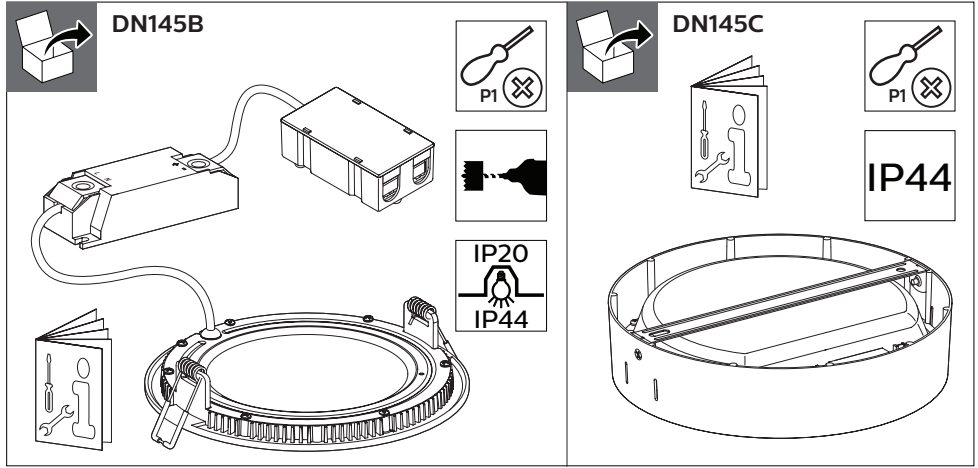


# PHILIPS

## CoreLine SlimDownlight

DN145



	System lumen (lm)	CCT (K)	Driver	P (W)	Ø mm	kg
DN145B LED10S	1100	3000/4000	PSU	11	152-157	0.28
DN145B LED20S	2100			21	203-208	0.45
DN145C LED10S	1100			11	-	0.75
DN145C LED20S	2100			21	-	1.10

### DN145B

Dimensions in mm

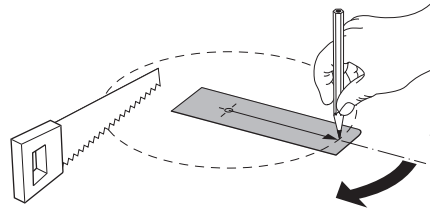
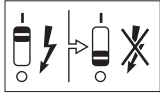
	1100 lm	2100 lm
A	166	217
B	86	135
C	32	36
D	23	25
E	152-157	203-208

### DN145C

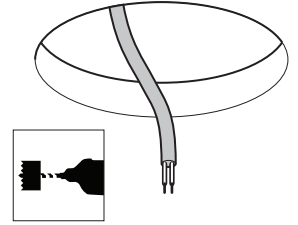
	1100lm	2100lm
A1	166	217
A2	171	222
B	140	188



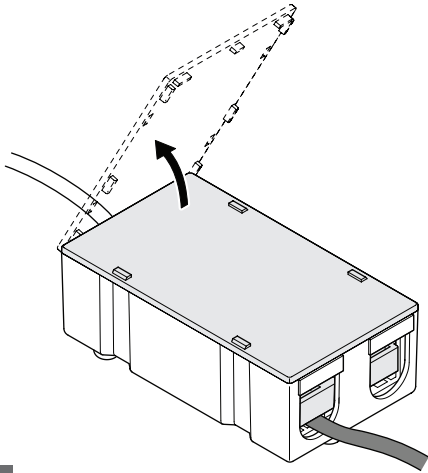
DN145B



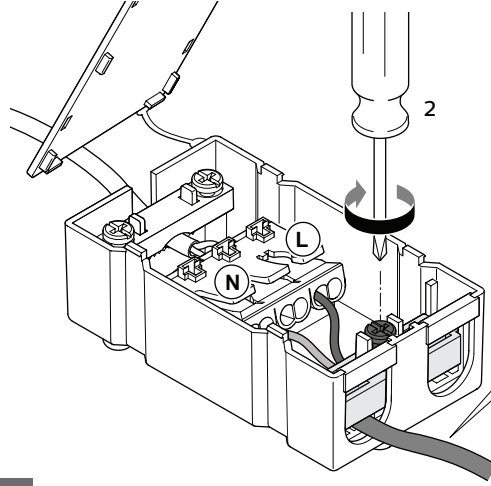
1100 lm = 152-157 mm  
2100 lm = 203-208 mm



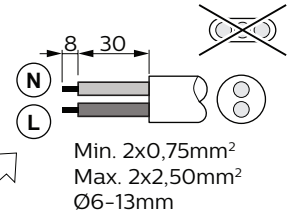
1



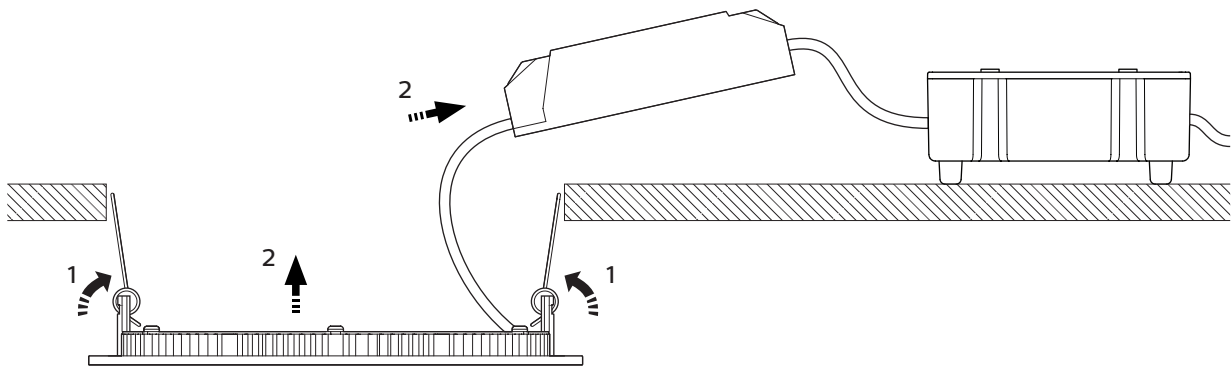
2



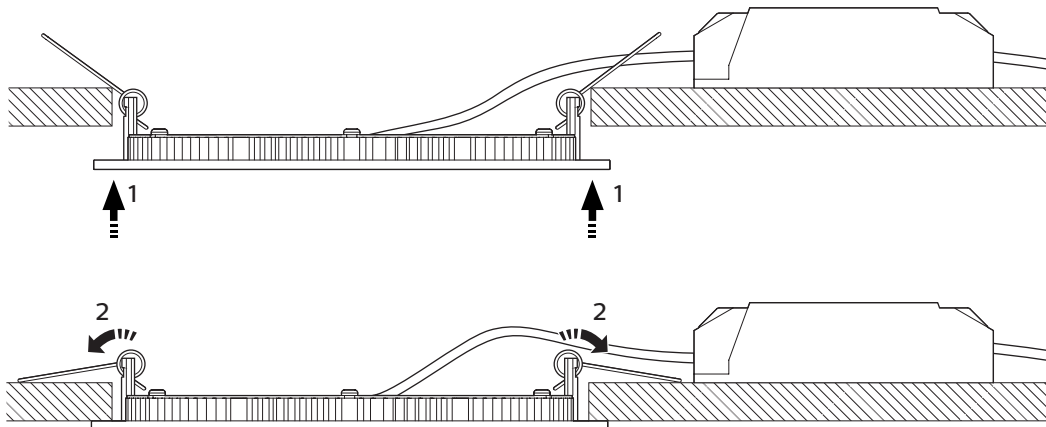
3



Min. 2x0,75mm<sup>2</sup>  
Max. 2x2,50mm<sup>2</sup>  
Ø6-13mm

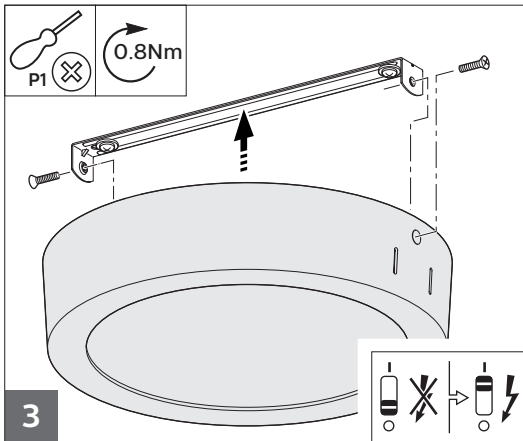
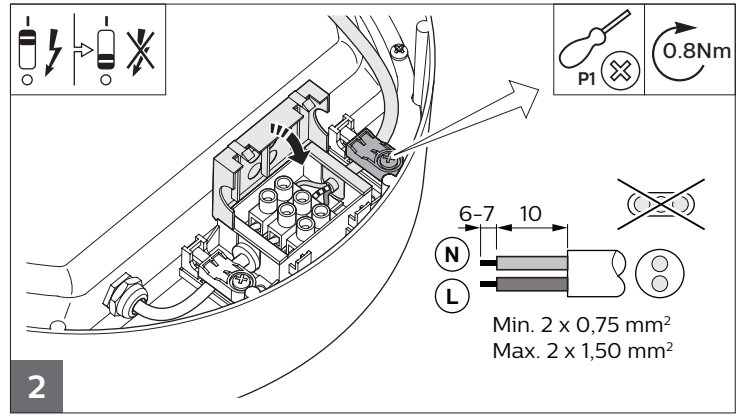
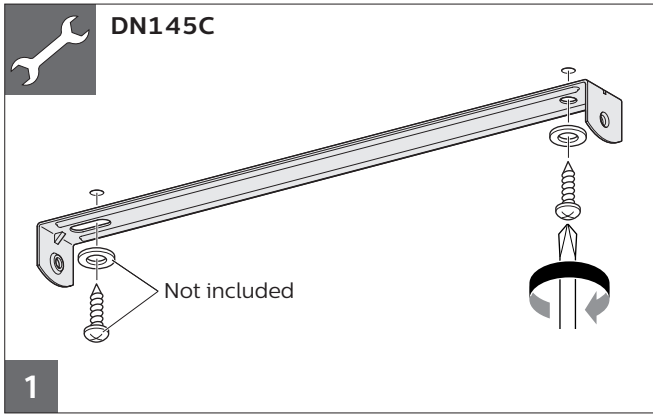


4

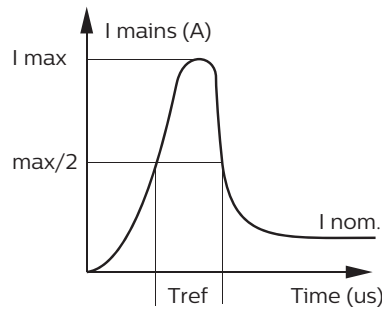


5





#### Inrush current



	1100 lm	2100 lm
Electrical characteristics		
I <sub>max</sub> (A)	10.1	28.9
T <sub>ref</sub> (μs)	2.2	1.6
MCB	Downlights Max.	
B- 10 A	24	8
B- 13 A	31	10
B- 16 A	38	13
C- 10 A	40	13
C- 13 A	52	18
C- 16 A	64	22



- The luminaire shall be installed by a qualified electrician and wired in accordance with the latest IEE electrical regulations or the national requirements.
- The light source contained in this luminaire shall only be replaced by the manufacturer or his service agent or a similar qualified person.
- If the external flexible cable or cord of this luminaire is damaged, it shall be exclusively replaced by the manufacturer or his service agent or a similar qualified person in order to avoid a hazard.





© 2019 Signify Holding.

All rights reserved. This document contains information relating to the product portfolio of Signify which information may be subject to change. No representation or warranty as to the accuracy or completeness of the information included herein is given and any liability for any action in reliance thereon is disclaimed. The information presented in this document is not intended as any commercial offer and does not form part of any quotation or contract. Philips and the Philips Shield Emblem are registered trademarks of Koninklijke Philips N.V.. All other trademarks are owned by Signify Holding or their respective owners.

Signify Holding.  
The Netherlands