

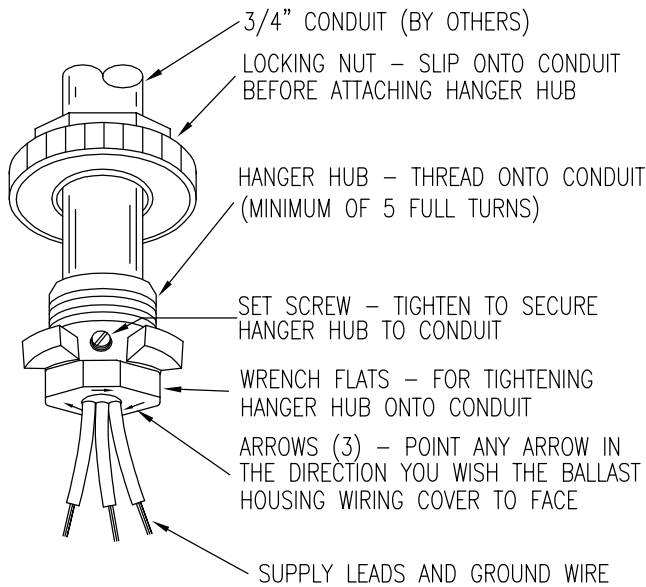
INSTALLATION INSTRUCTIONS

LB SERIES

H.I.D. LUMINAIRE

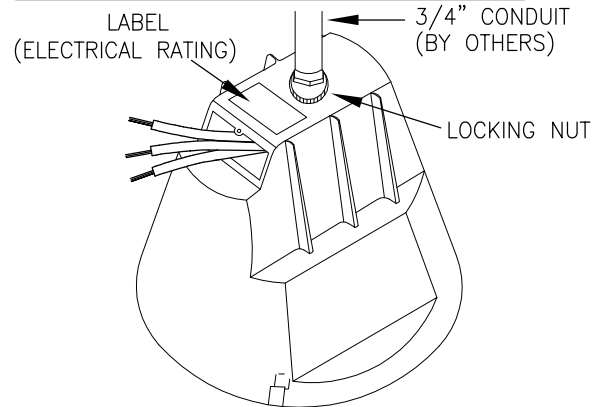
CAUTION: THE INSTALLATION AND SERVICING OF THIS PRODUCT SHOULD BE PERFORMED BY A QUALIFIED ELECTRICIAN OR SERVICE PERSONNEL
ATTENTION : L'INSTALLATION ET L'ENTRETIEN DE CE PRODUIT DOIVENT ÊTRE EFFECTUÉS PAR UN ÉLECTRICIEN OU UN MEMBRE DU PERSONNEL QUALIFIÉ.

CONDUIT MOUNTING



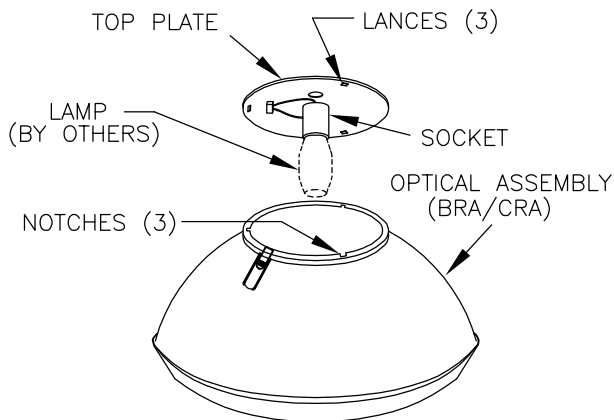
NOTE: For Wet Location, Seal Conduit Entrance

MOUNTING-BALLAST ASSEMBLY



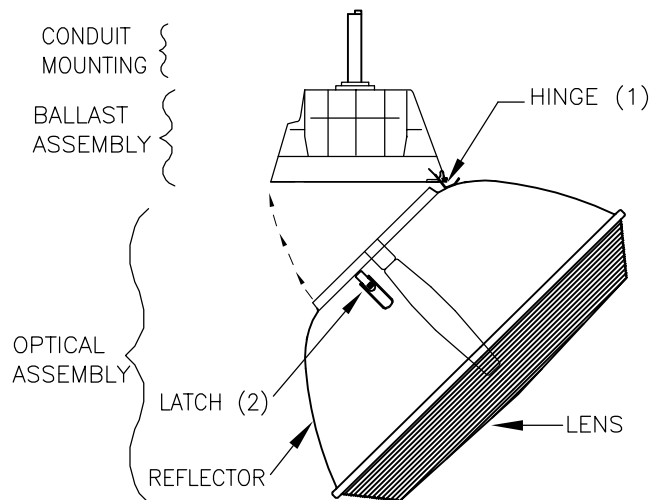
- 1) LIFT BALLAST ASSEMBLY ON TO THE HANGER HUB AND ROTATE ASSEMBLY (60°) UNTIL IT SEATS SECURELY ON HUB.
- 2) TURN LOCKING NUT (HAND TIGHT) ONTO HANGER HUB TO SECURE BALLAST ASSEMBLY. **WARNING:** LOCKING NUT MUST ENGAGE THREADS ON HANGER HUB AND BE HAND TIGHTENED TO INSURE THAT FIXTURE IS PROPERLY SEATED ON HUB. **CAUTION:** THE LOCKING NUT IS PROVIDED WITH WRENCH FLATS TO BE USED ONLY IF NECESSARY TO REMOVE NUT.
- 3) MAKE SUPPLY CONNECTIONS (90° WIRE) AND REPLACE WIRE COVER.

LAMP INSTALLATION



- 1) ROTATE TOP PLATE COUNTER-CLOCKWISE (ABOUT 5°) TO DISENGAGE LANCES AND REMOVE TO INSTALL LAMP. **NOTE:** LAMP MUST BE TIGHTLY SEATED IN SOCKET.
 - 2) REPLACE TOP PLATE WITH LAMP ONTO REFLECTOR. THE (3) LANCES IN THE PLATE MUST BE FULLY ENGAGED INTO THE (3) NOTCHES IN THE REFLECTOR.
- WARNING:** REFER TO AND FOLLOW THE LAMP MANUFACTURER'S WARNINGS AND INSTRUCTIONS BEFORE INSTALLING THIS FIXTURE.

FINAL ASSEMBLY



- 1) HINGE OPTICAL ASSEMBLY TO BALLAST ASSEMBLY AS SHOWN.
 - 2) SWING UP OPTICAL ASSEMBLY TO A CLOSED POSITION AND SECURE WITH THE TWO (2) LATCHES.
- NOTE:** THE OPTICAL ASSEMBLY MAY BE OPENED OR CLOSED WHILE THE BALLAST ASSEMBLY IS ENERGIZED

CAUTION: Electrical luminaires are designed for permanent installation in ordinary (Non-Hazardous) locations in accordance with the National Electrical Code and all applicable local codes. Do not use in areas of limited ventilation or in high ambient enclosures. The lamp and luminaire operate at high temperatures, contact with combustible materials can cause fire and personal contact can cause severe burns.

ATTENTION: Ce luminaire a été conçu pour une installation permanente dans un emplacement régulier (non dangereux) et en conformité avec le Code électrique canadien et codes locaux applicables. Ne jamais installer dans un endroit où la ventilation est limitée ou dans des boîtiers où la température ambiante est très élevée. La lampe et le luminaire fonctionnent à des températures élevées, un contact avec des matériaux combustibles peut engendrer un incendie et un contact corporel peut causer de sévères brûlures.

PHILIPS

Philips Lighting North
 America Corporation
 200 Franklin Square Drive
 Somerset, NJ 08873, USA
 Phone: 855-486-2216
philips.com/luminaires

Philips Lighting Canada Ltd.
 281 Hillmount Road
 Markham ON, Canada L6C 2S3
 Phone: 800-668-9008
philips.com/luminaires

717243102 APRIL, 2013
 12NC: 443580048710