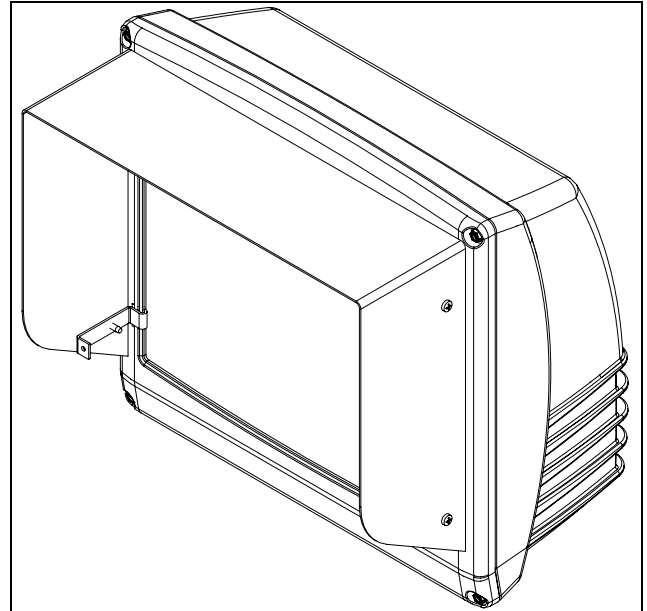
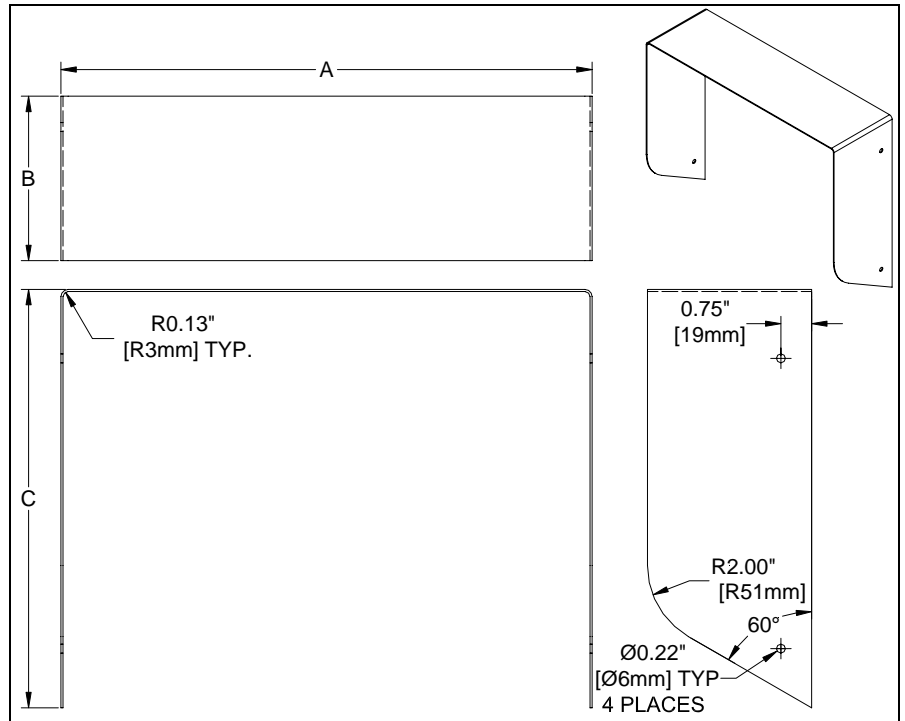


### SPECIFICATIONS:

- Material is 18ga. (0.052") thick powder coated steel for sizes PF1, PF2 & PF3, & 16ga. (0.064") thick for sizes PF4 & PF5. Finished in black Duraplex II™ Electrostatic Powder Coat.
- Installs on front face of fixture to provide protection from light pollution and unwanted glare.
- Mounts to four (4) supplied accessory clips with screws.
- All mounting hardware is included.
- PentaFlood Full Visor (FV) can be combined and used together with the Wireguard (WG) and Vandal Shield (VS).



SIZE	DIMENSION		
	A	B	C
PF1	5.68" [144mm]	2.00" [51mm]	4.80" [122mm]
PF2	8.28" [210mm]	3.00" [76mm]	8.00" [203mm]
PF3	12.94" [329mm]	4.00" [102mm]	10.18" [258mm]
PF4	13.06" [332mm]	4.00" [102mm]	11.06" [281mm]
PF5	19.31" [490mm]	5.00" [127mm]	16.06" [408mm]



### ORDERING GUIDE:

Example: PF3-FV

<b>PF</b>	-	<b>FV</b>
Series	Size	Mounting
PF : PentaFlood	1 2 3 4 5	FV : Full Visor

PROJECT: \_\_\_\_\_

TYPE: \_\_\_\_\_ CATALOGUE NUMBER: \_\_\_\_\_