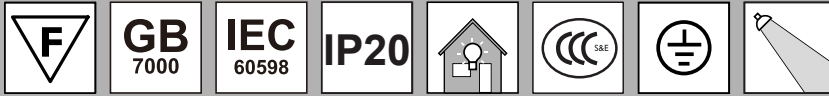


Magneos

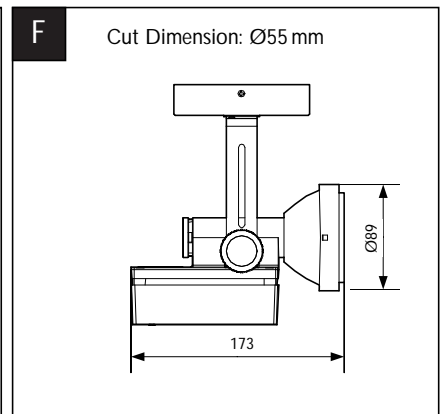
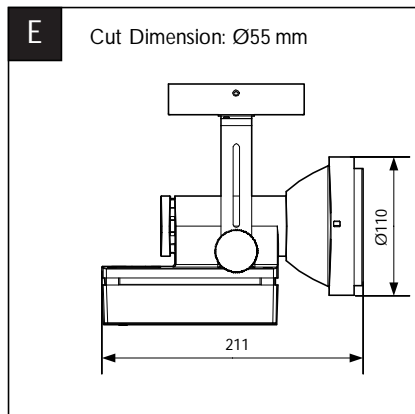
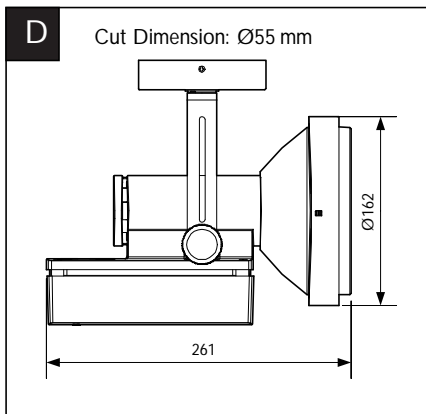
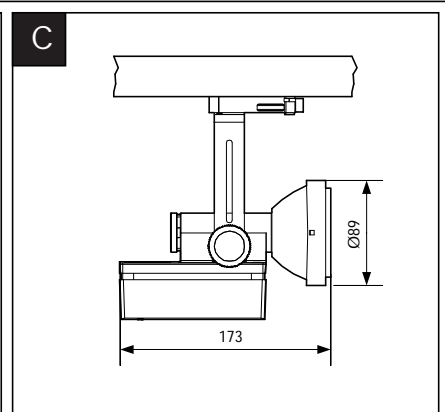
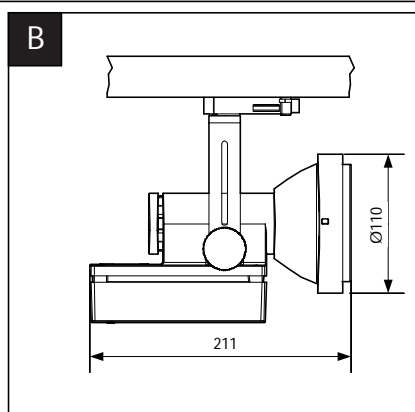
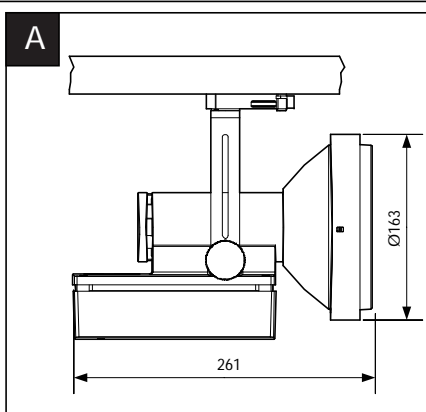
MRS501/502/503 MCS501/502/503

Installation instruction/ 安装说明

4441 000 64921b



Type NO. 型号	Lamp 光源	Lamp Holder 灯座	Mounting 安装方式					Figure 外型	
MRS501	1xCDM-R 35/70W	E27	Track	0.5m				A	1.8
MRS501	1xCDM-T 35W/70W	G12	Track	0.5m	✓	✓	✓	A	1.8
MRS501	1xCDM-T 150W	G12	Track	0.8m	✓	✓	✓	A	2.1
MRS502	1xCDM-TC 35W/70W	G8.5	Track	0.5m	✓	✓	✓	B	1.3
MRS503	1xCDM-Tm 20W/35W	PjG5	Track	0.5m	✓	✓	✓	C	0.8
MCS501	1xCDM-R 35/70W	E27	Base plate	0.5m				D	1.9
MCS501	1xCDM-T 35W/70W	G12	Base plate	0.5m	✓	✓	✓	D	1.9
MCS501	1xCDM-T 150W	G12	Base plate	0.8m	✓	✓	✓	D	2.2
MCS502	1xCDM-TC 35W/70W	G8.5	Base plate	0.5m	✓	✓	✓	E	1.4
MCS503	1xCDM-Tm 20W/35W	PjG5	Base plate	0.5m	✓	✓	✓	F	0.9



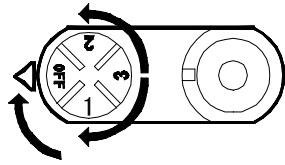
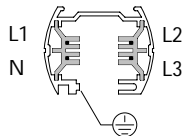
- The luminaires shall be installed by a qualified electrician and wired in accordance with the latest IEE electrical regulations or the national requirements.
光源应由有资格的电工安装，接线要符合IEE电气标准或国家标准。
- The luminaires only suitable to apply together with Philips power track or mounting box.
此灯具必须和飞利浦的特定接合器或安装盒一起使用。

Philips Lighting Luminaires (Shanghai) Co., Ltd.
Address: No. 2688, Huyi Road, Jiading, Shanghai, China
Postalcode: 201801

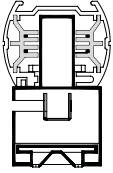
飞利浦灯具（上海）有限公司
地址：中国上海市嘉定区马陆镇沪宜公路2688号
邮编：201801

PHILIPS

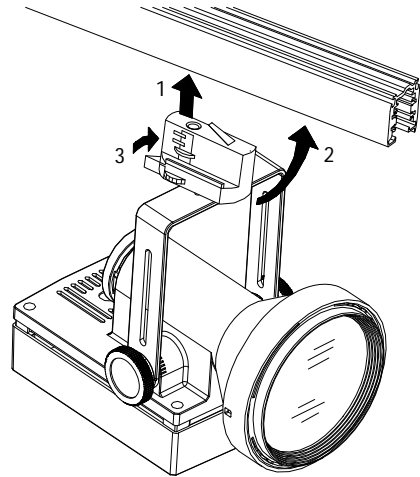
1a 3C: Track (轨道)



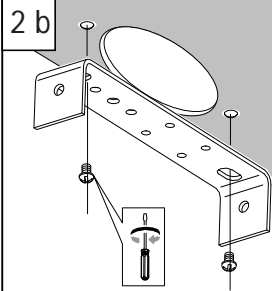
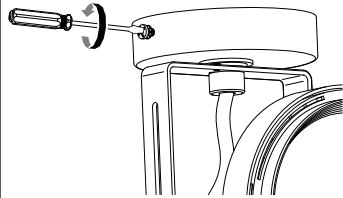
1: L1
2: L2
3: L3



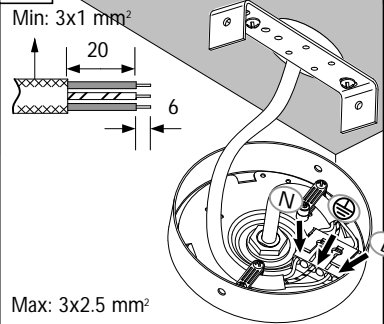
1b



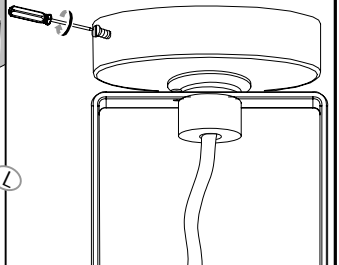
2 a BA: Ceiling (吸顶)



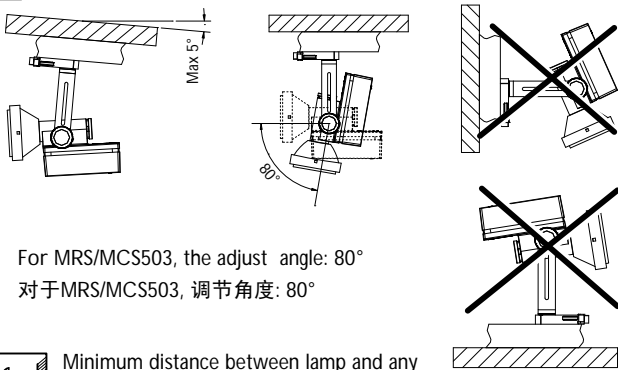
2 c



2 d



3



For MRS/MCS503, the adjust angle: 80°
对于MRS/MCS503, 调节角度: 80°

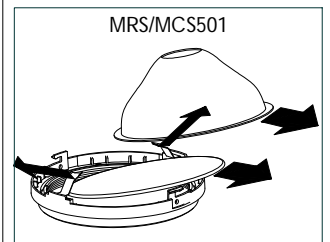
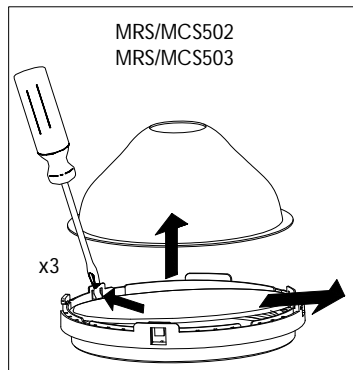
Minimum distance between lamp and any combustible materials :see symbol on luminaire
光源到被照物最短距离 (m) 见灯体标示

4

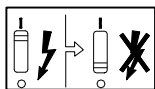


Replace any cracked safety screen
请及时更换破损安全玻璃

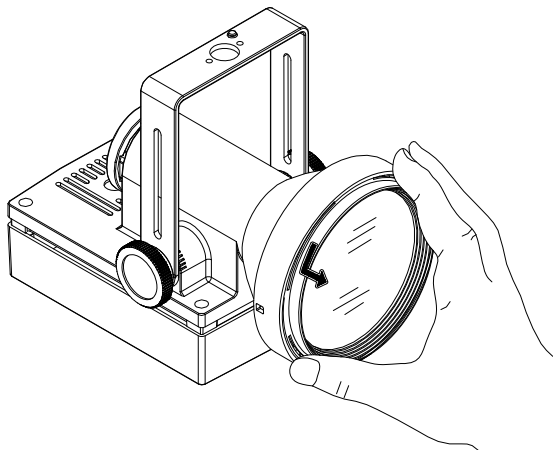
Glass specification/玻璃规格
MRS/MCS501: Ø146x3
MRS/MCS502: Ø90x3
MRS/MCS503: Ø69x3



5 a



Disconnect the power supply before changing the lamp
更换灯泡前请切断电源



5 b

