

Project: _____

Location: _____

Cat.No: _____

Type: _____

Lamps: _____ Qty: _____

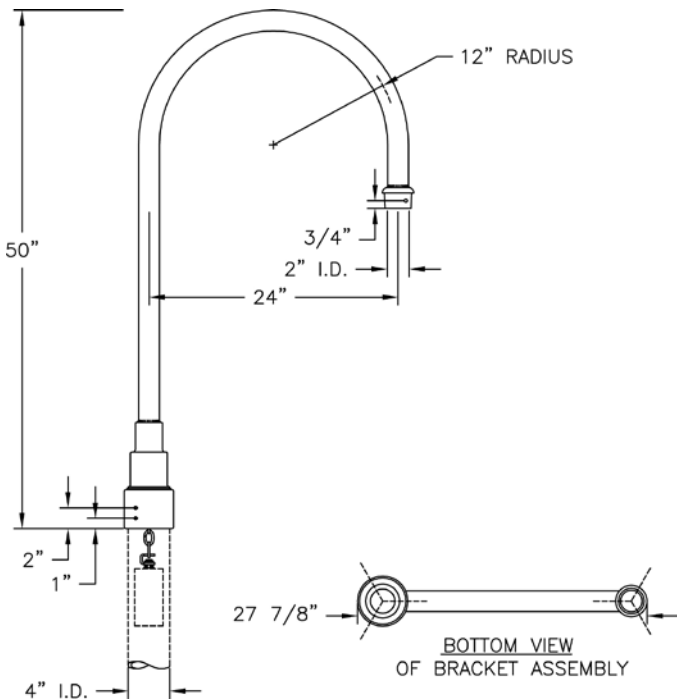
Notes: _____

Ordering Guide

Example: 249PL ABS 50H E

Product Code	249PL	Bracket Arm	
Finish	ABS ACP ARD ASI BLK BRN BRZ FGN GRA IRN RBZ SRT VBZ VCP VGN VTC WBZ WHT	Antique Brass Antique Copper Antique Red Antique Silver Black Brown Bronze Forest Green Granite Ironstone Rustic Bronze Shadow Rust Verde Bronze Verde Copper Verde Vintage Copper Weathered Bronze White	
Wattage/Source	50H 35S 50S 70S 100S 150S 150I	50W MH 35W HPS 50W HPS 70W HPS 100W HPS 150W HPS 150W INC.	*1 *1 *1 *1 *1
Voltage	E F G H	120V 208V 240V 277V	

*1 (E) 120V option only



Specifications

CONSTRUCTION:

2" dia. x .125" Wall aluminum tubing welded to 2" I.D. splicing fitter and 4" I.D. post fitter. Cast aluminum 2" I.D. splicing fitter welded to bent arm. Cast aluminum 4" I.D. post fitter.

FINISH:

Resilient TGIC thermoset polyester powdercoat paint is electrostatically applied to every fixture. Specially formulated for Philips Outdoor Lighting, it provides UV protection, and the highest temperature rating in the industry. In addition to the standard color choices shown, a spectrum of custom colors is available.

BALLAST:

Post line ballast supplied with mounting hardware. (Contact factory for ballast selection.)

MOUNTING:

Fixture mounts to 4" I.D. post. Wire and wire nuts supplied for attaching to lantern and incoming power supply.

WARRANTY:

Three-year limited warranty.

249PL Bracket arm

Arm bracket

Specifications

Height:

50"

Width:

27 7/8"

Max. Weight:

