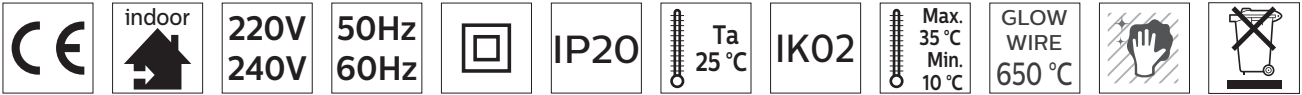
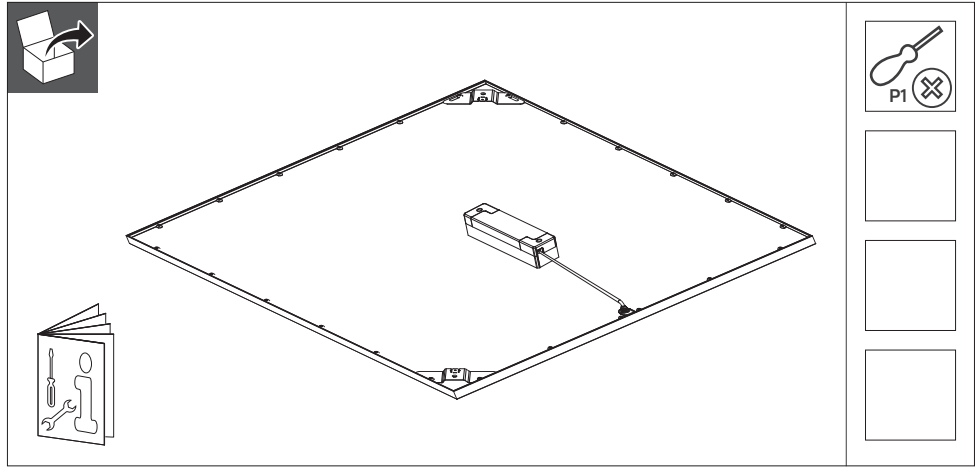


# PHILIPS

## Ledinaire Panel

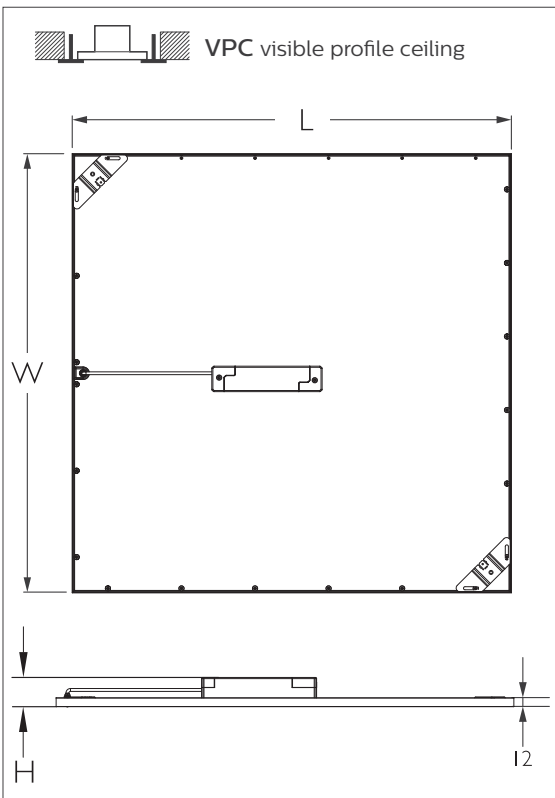
### RC065B



	P (W)	L x W x H (mm)	Lumen (lm)	CCT (K)	
RC065B W60L60 NOC	38	597x597x39	3400	4000	2.05
RC065B W60L60 OC	38	597x597x39	3400	4000	2.2
RC065B W60L60 NOC 1PK	38	597x597x39	3400	4000	2.05
RC065B W60L60 OC 1PK	38	597x597x39	3400	4000	2.2
RC066B W62L62 OC	38	622x622x39	3400	4000	2.35

**Optional:**

<p><b>Suspension set:</b> RC125Z SME-2 WH 910930031418</p>	<p><b>Surface mounted set:</b> RC125Z SMB W60L60 910930031018</p>	<p><b>Plaster set:</b> RC125Z SMB-PLC 910930031318</p>	<p><b>Safety cable:</b> RC125Z SC 910930031518</p>
--	---	--	--



The luminaire shall, under no circumstance, be covered with thermal insulation matting or similar material.

The light source of this luminaire is not replaceable; when the light source reached its end of life the whole luminaire shall be replaced.

**Inrush current**

Electrical characteristics	
I <sub>max</sub> (A)	5
T <sub>ref</sub> (μs)	55
MCB	Panels Max.
B-10 A	25
B-13 A	32
B-16 A	40
C-10 A	40
C-13 A	54
C-16 A	68

