

READ AND UNDERSTAND THESE INSTRUCTIONS BEFORE INSTALLING FIXTURE

This fixture is intended for installation in accordance with the National Electrical Code and local regulations. To assure full compliance with local codes and regulations, check with your local electrical inspector before installation. To prevent electrical shock, turn off electricity at fuse box before proceeding.

Retain these instructions for maintenance reference.

SADDLE CANOPY KIT

ITEM 9163WH, BK FOR USE WITH 9100 SERIES TRACK ONLY.

The Saddle Canopy Mounting Kit mounts to any point along the track for feeding power from 3" or 4" octagon outlet box.

CAUTION:

- **TURN OFF POWER AT FUSE BOX BEFORE INSTALLING TRACK.**
- **INSTRUCTIONS FOR GROUNDING MUST BE FOLLOWED. FAILURE TO DO SO MAY RESULT IN A HAZARDOUS CONDITION.**

1. Attach CROSSBAR to OUTLET BOX using FLAT SCREWS as shown in Fig. 1.

CAUTION: FOR A 3" OUTLET BOX THE MOUNTING HOLES MUST BE AT 45° TO THE CENTERLINE OF THE TRACK UNIT. (FIG. 2)

CAUTION: THE CANOPY MOUNTING HOLES ON THE CROSSBAR MUST BE LOCATED AT 90° TO THE CENTERLINE OF THE TRACK UNIT. (FIG. 3)

2. Mount the track to the ceiling as shown in Instruction Sheet 9100 bringing lead wires (12ga.) from OUTLET BOX down either side of the track.
3. Insert FITTING into TRACK (Fig. 4) with LOCKING LEVER on same side of track as BEAD.
4. Make wiring connections: black from outlet box to black fitting wire, white from outlet box to white fitting wire, green or bare wire from outlet box to green fitting wire.
5. Insert wiring connection into OUTLET BOX.
6. Place CANOPY over FITTING, line up holes in CANOPY with threaded CANOPY MOUNTING HOLES in the CROSSBAR. Attach CANOPY to CROSSBAR using painted screws (included). Make certain that wires do not interfere with proper seating of CANOPY.
7. DEAD END COVERS must be installed to both ends of the track.

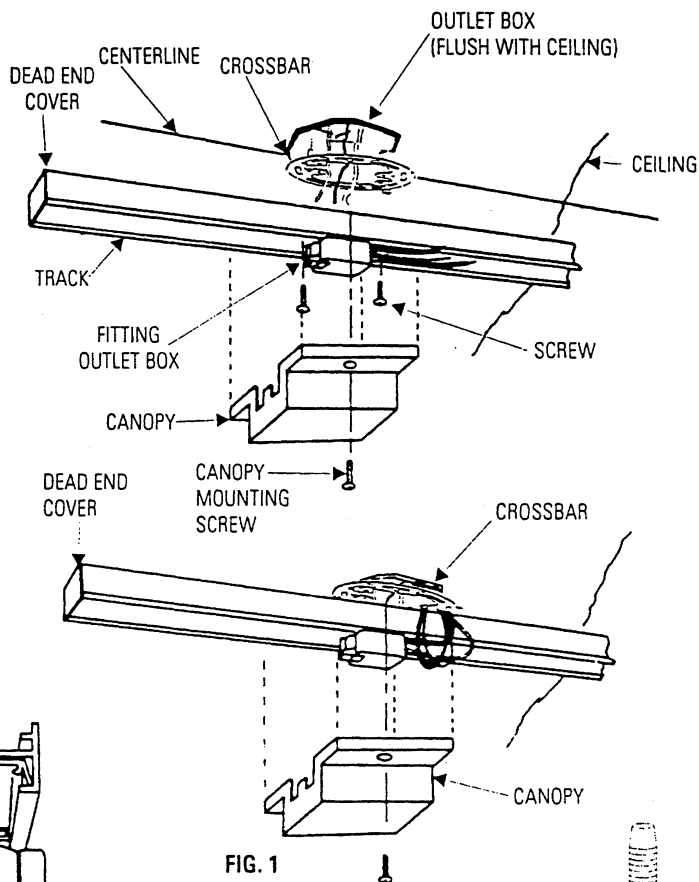


FIG. 1



FLAT SCREW

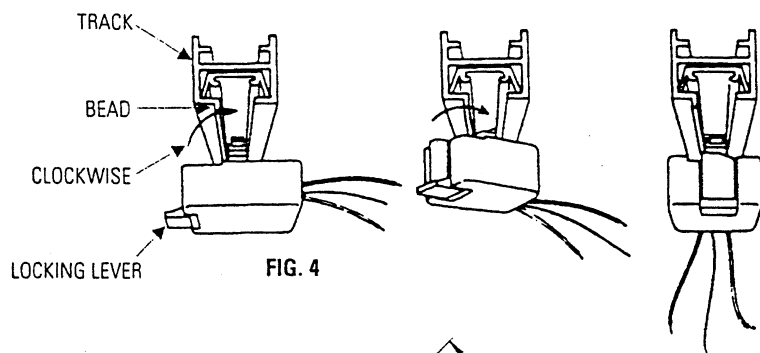


FIG. 4

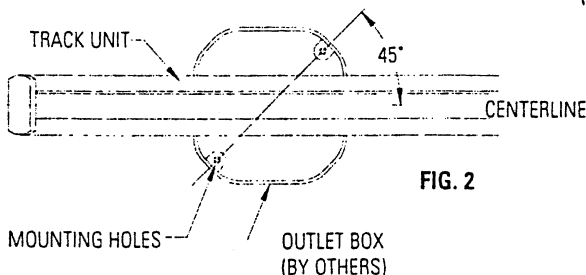


FIG. 2

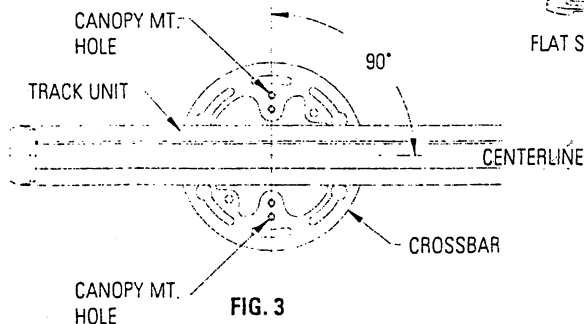


FIG. 3