

INSTALLATION INSTRUCTIONS

WARNINGS AND INSTRUCTIONS FOR LUMINAIRES

IMPORTANT: FOR YOUR PROTECTION, YOU MUST CAREFULLY READ ALL WARNINGS AND INSTRUCTIONS IN THEIR ENTIRETY PRIOR TO INSTALLATION, OPERATION, SERVICE OR MAINTENANCE. FAILURE TO DO SO CAN RESULT IN DEATH, PERSONAL INJURY AND PROPERTY DAMAGE. If you do not understand these warnings and instructions, or if additional information is desired, please contact Philips at SanMarcos.TSC@philips.com or phone 800-227-0758.

Installation, service and maintenance of luminaires must be performed by a qualified professional and in accordance with all federal, state and local laws, regulations and electrical codes. This professional should be familiar with the construction and operation of this product and any hazards involved. If not qualified, do not attempt installation, service or maintenance.

To reduce the risk of death, personal injury or property damage from fire, electric shock, falling parts, cuts, abrasions and other hazards, please read all warnings and instructions included with the luminaire, on the luminaire's packaging and affixed to the luminaire itself. Maintenance of the luminaires should be performed by person(s) familiar with the luminaire's construction and operation and any hazards involved



WARNING:

RISK OF FIRE, ELECTRIC SHOCK OR PERSONAL INJURY

- Disconnect or turn off power before attempting any installation, service or maintenance.
- Verify that supply voltage is correct by referencing the luminaire label information.
- Make all electrical and ground connections in accordance with the
- National Electrical Code (NEC) and any other applicable laws, regulations or codes.
- All wiring connections should be capped with UL-approved wire connectors.



WARNING:

RISK OF PERSONAL INJURY

- Wear gloves and safety glasses at all times when removing luminaire from carton, installing, servicing or performing maintenance.
- Avoid direct eye exposure to the light source while it is on.



WARNING:

RISK OF FIRE OR PERSONAL INJURY

- Keep combustible materials away from LED/lamp & lens
- Do not operate in close proximity to persons, combustible materials or substances affected by heat or drying.



WARNING:

RISK OF FIRE, ELECTRIC SHOCK OR PERSONAL INJURY

- Allow LED/lamp & lens to cool before handling.
- Do not touch enclosure or light source.
- Do not exceed maximum wattage marked on luminaire label.
- Follow all manufacturer's warning, recommendations, instructions and restrictions for driver type, burning position, mounting locations and replacement.



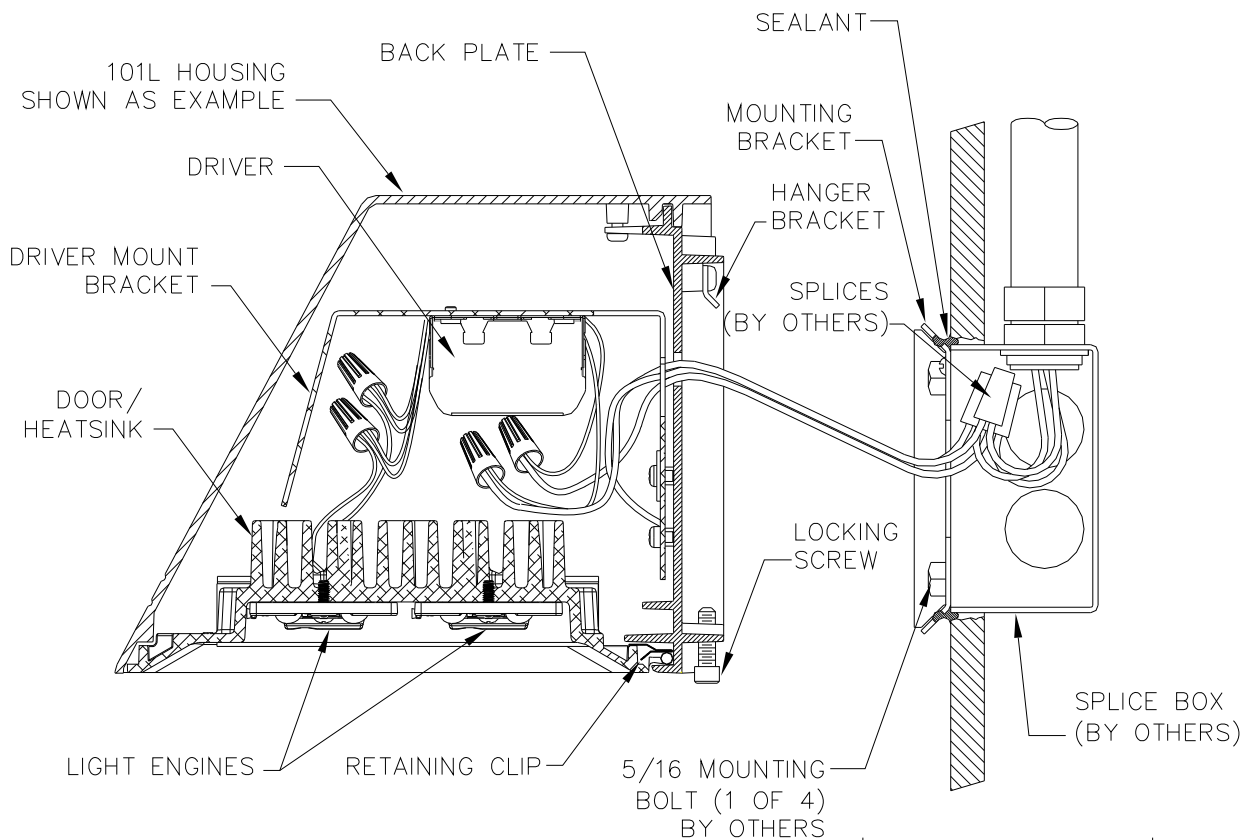
RISK OF PRODUCT DAMAGE

- Never connect luminaires and/or components under load with supply voltage turned on.
- Do not mount or support these luminaires in a manner that can cut the outer jacket or damage wire insulation.
- Do not restrict fixture ventilation. Allow for some volume of airspace around luminaire. Avoid covering luminaire with insulation, foam or other material that will prevent convection or conduction cooling.
- Do not exceed luminaire maximum ambient temperature.
- Do not modify the luminaire.
- Only use luminaire in its intended application and location.
- LED products are polarity sensitive. Ensure proper polarity before installation.
- Electrostatic Discharge (ESD) can damage LED. Personal grounding equipment must be worn during all installation and servicing of the luminaire.
- Do not touch individual electrical components as this can cause ESD, shorten LED life, or impact LED performance.
- Some components inside the luminaire may not be serviceable. In the unlikely event your luminaire may require service, stop using it immediately and contact SanMarcos.TSC@philips.com or phone 800-227-0758.
 - Always read the luminaire's complete installation instructions prior to installation for any additional luminaire specific warnings.
 - In the case of HID or Fluorescent luminaires, regular re-lamping is required to keep luminaire operating within safe limits
 - **Do not install damaged product.** Handling and installing damaged products can potentially increase the risks mentioned. In case of damage and/or missing parts upon arrival of the luminaire, please contact SanMarcos.TSC@philips.com or phone 800-227-0758.
 - These instructions do not purport to cover all details or variations in equipment nor to provide every possible contingency to meet in connection with installation, operation or maintenance. Should further information be desired or should particular problems arise which are not covered sufficiently for the purchaser's or owner's purposes, this matter should be referred to SanMarcos.TSC@philips.com or phone 800-227-0758.
 - Please see luminaire specific Installation and Maintenance Instruction for additional warnings or any applicable FCC or regulatory statements. Failure to follow any of these Instructions could void luminaire warranties.

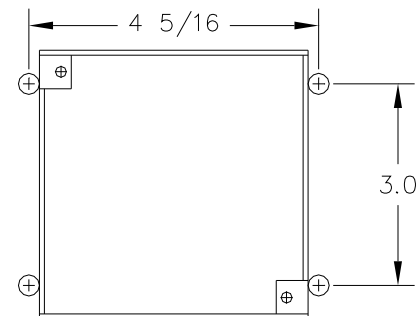
Luminaire Maintenance

- Regular luminaire maintenance programs are recommended.
- It is recommended to clean the outside of the luminaire and the refractor/lens.
- Frequency of cleaning will depend on ambient dirt level and minimum light output which is acceptable to user.
- If clean water is not sufficient for cleaning, use a neutral, synthetic, not-scratching and not-abrasive cleaning substance.
- Never use alkaline and/or acetous cleaning substances.
- Make sure that the cleaning substance is carefully removed by rinsing with lots of clean water.
- Philips recommends using a cleaning solution that has a PH between 5 and 8.
- Recycle: For information on how to recycle electronic products and components, please visit www.epa.gov

INSTALLATION INSTRUCTIONS – FOR 100 LINE LED SCONCE STANDARD MOUNT – 101L, 102L, 104L, 106L, 107L & 108L



1. APPLY A BEAD OF SELANT ON WALL AROUND SPLICE BOX OPENING AND AROUND HOLES USED FOR OPTIONAL MOUNTING BOLTS OR SCREWS WHEN USING A 4" OCTAGONAL BOX (SHOWN), FILL GAP BETWEEN WALL OPENING AND SPLICE BOX WITH SEALANT.
2. PLACE THE MOUNTING BRACKET OVER THE SPLICE BOX AND SECURE WITH J-BOX SCREWS.
3. ENSURE THE (2) LOCKING SCREWS ARE RETRACTED TO CLEAR THE MOUNTING PLATE.
4. CONNECT LINE TO SUPPLY LINE, COMMON TO COMMON AND GROUND TO GROUND.
5. PLACE ALL SPLICED CONNECTIONS AND EXCESS WIRE IN SPLICE BOX.
6. ALIGN THE FIXTURE AT A SLIGHT ANGLE AND SLIGHTLY ABOVE THE TOP AND THE CENTER OF THE OF THE MOUNTING BRACKET. SLIDE DOWN THE FIXTURE SLOWLY TO ENSURE THE HANGER BRACKET ENGAGES WITH MOUNTING PLATE.
7. ANGLE / POSITION THE FIXTURE PARALLEL TO THE MOUNTING SURFACE. VISUALLY CHECK FOR ANY PINCHED WIRES OR MISALIGNMENT IN INSTALLATION BEFORE TIGHTENING THE (2) LOCKING SCREWS.

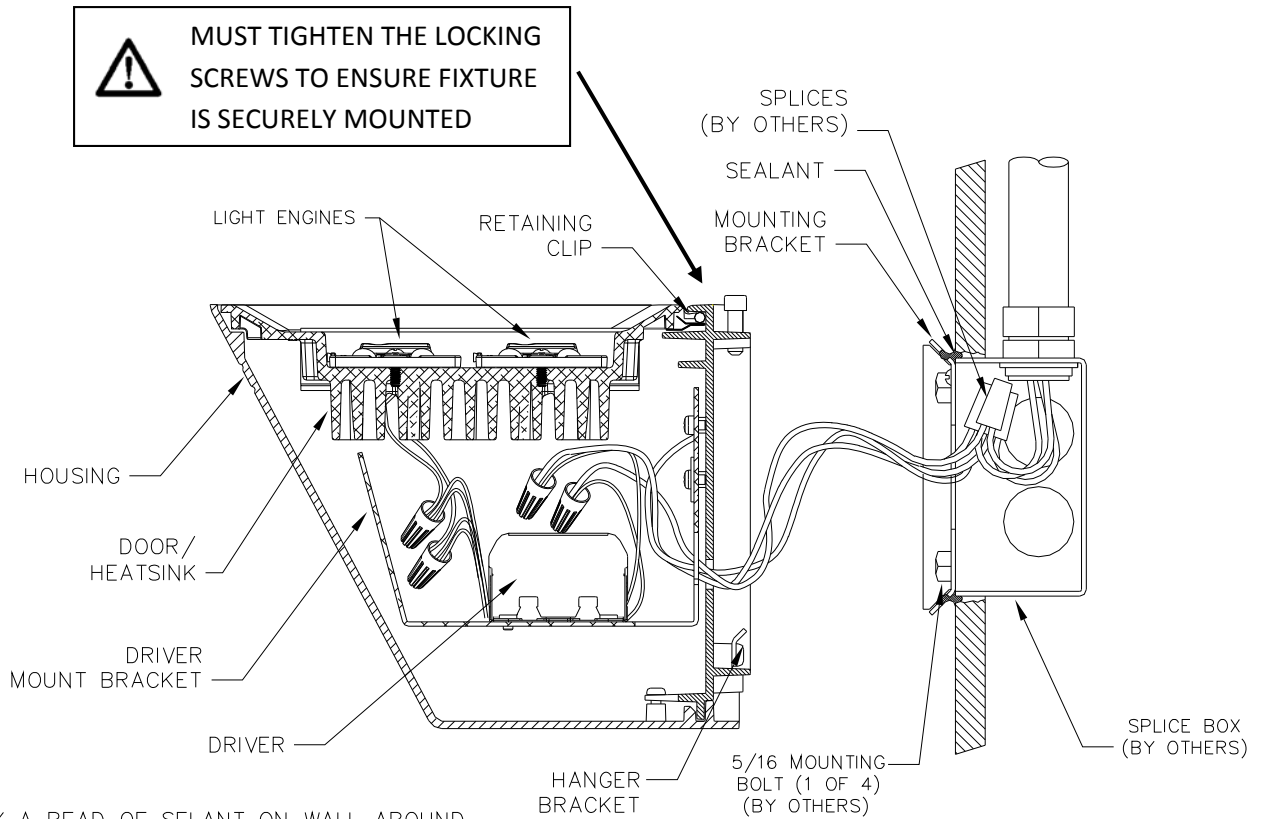


MOUNTING BOLT PATTERN

NOTE: MOUNTING BRACKET IS SECURED TO THE WALL WITH 5/16 BOLTS (BY OTHERS) STRUCTURAL MEMBERS MUST BE PRESENT IN THE WALL TO ACCEPT BOLTS.

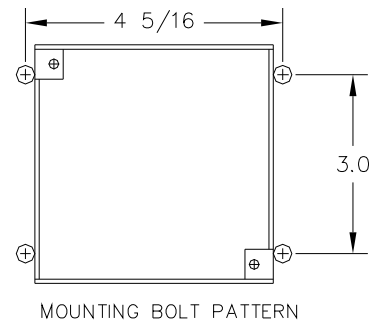
INSTALLATION INSTRUCTIONS – FOR 100 LINE LED SCONCE INVERTED MOUNT – SUITABLE FOR DAMP OR COVERED CEILING LOCATIONS ONLY – 101L, 102L, 104L, 106L, 107L & 108L

INVERTED MOUNT – NEVER INSTALL THE FIXTURE IN WET LOCATION OR UNCOVERED CEILING.

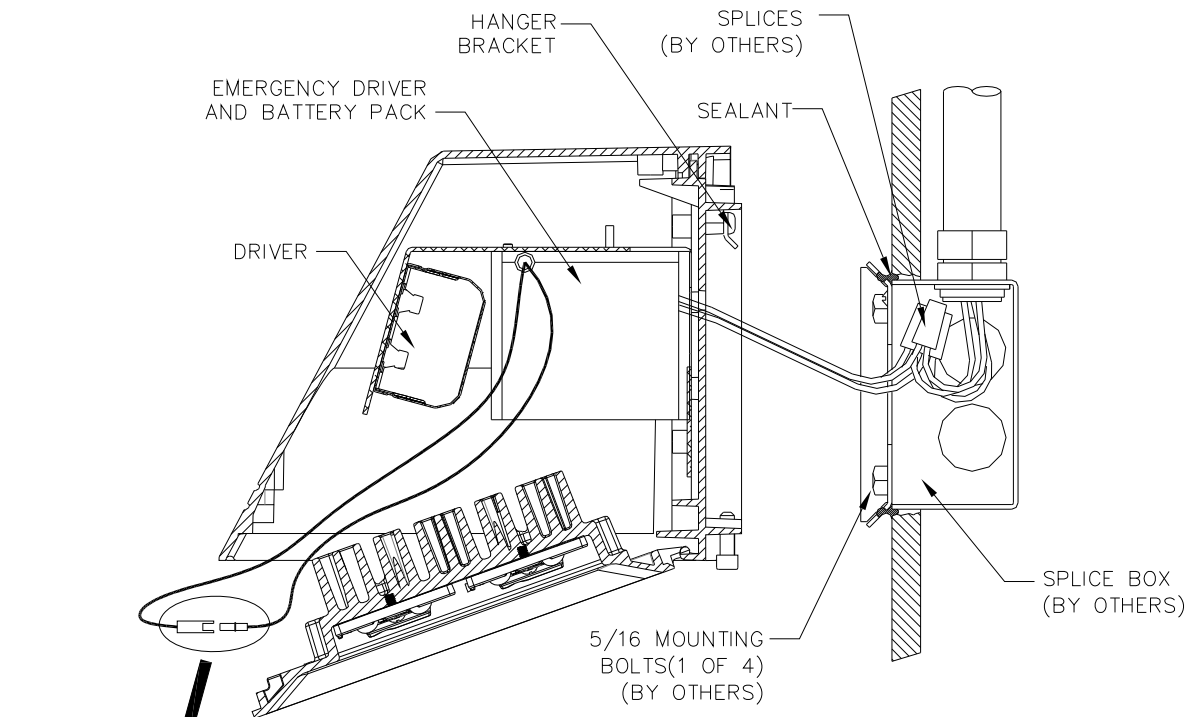


1. APPLY A BEAD OF SELANT ON WALL AROUND SPLICE BOX OPENING AND AROUND HOLES USED FOR OPTIONAL MOUNTING BOLTS OR SCREWS. WHEN USING A 4" OCTAGONAL BOX (SHOWN), FILL GAP BETWEEN WALL OPENING AND SPLICE BOX WITH SEALANT.
2. PLACE THE MOUNTING BRACKET OVER THE SPLICE BOX AND SECURE WITH J-BOX SCREWS.
3. ENSURE THE (2) LOCKING SCREWS ARE RETRACTED TO CLEAR THE MOUNTING PLATE.
4. CONNECT LINE TO SUPPLY LINE, COMMON TO COMMON AND GROUND TO GROUND.
5. PLACE ALL SPLICED CONNECTIONS AND EXCESS WIRE IN SPLICE BOX.
6. ALIGN THE FIXTURE AT A SLIGHT ANGLE AND SLIGHTLY BELOW THE CENTER OF THE OF THE MOUNTING BRACKET. SLIDE THE FIXTURE UP SLOWLY TO ENSURE HANGER BRACKET MAKES CONTACT WITH MOUNTING PLATE.
7. ENGAGE THE LOCKING SCREWS TO ENSURE FIXTURE IS SECURED IN POSITION AND PARALLEL TO THE MOUNTING SURFACE.
8. VISUALLY CHECK FOR ANY PINCHED WIRES OR MISALIGNMENT IN INSTALLATION BEFORE TIGHTENING THE (2) LOCKING SCREWS.

NOTE: MOUNTING BRACKET IS SECURED TO THE WALL WITH 5/16 BOLTS (BY OTHERS) STRUCTURAL MEMBERS MUST BE PRESENT IN THE WALL TO ACCEPT BOLTS.



INSTALLATION INSTRUCTIONS – FOR 100 LINE LED SCONCE EMERGENCY BATTERY PACK – 101L, 102L, 104, 104L,106L,107 & 108L

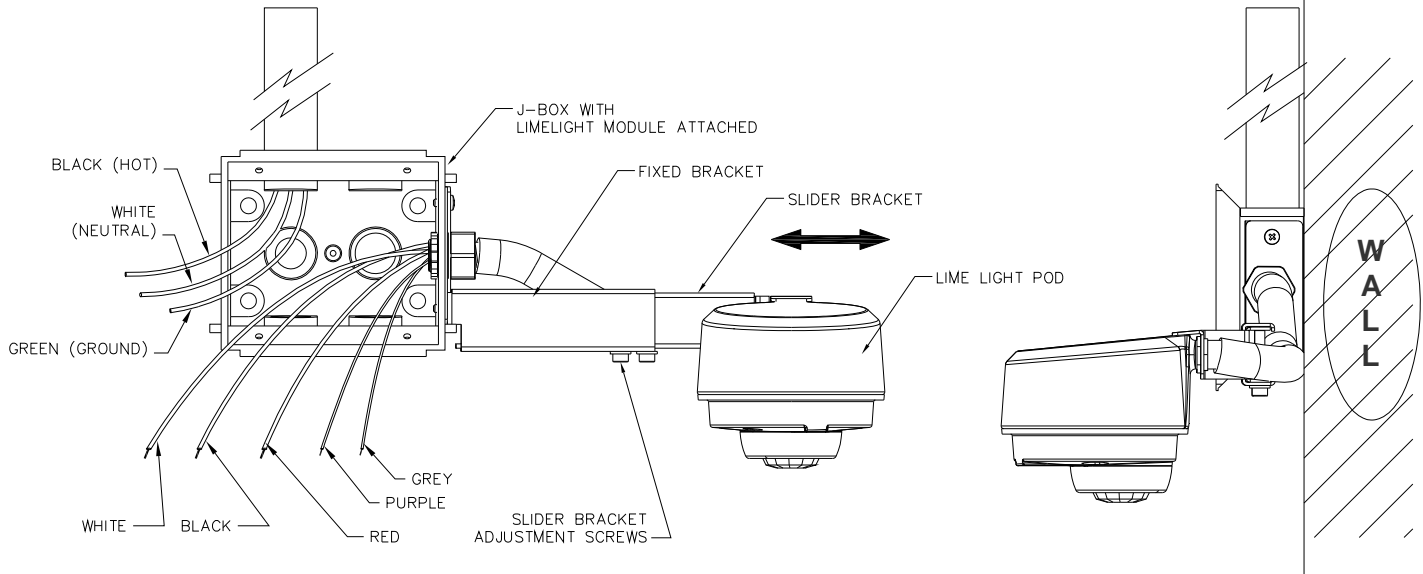


**MUST CONNECT SWITCH TO
CHARGE EMERGENCY
BATTERY PACK.
SEE INSTRUCTION NOTE #8.**

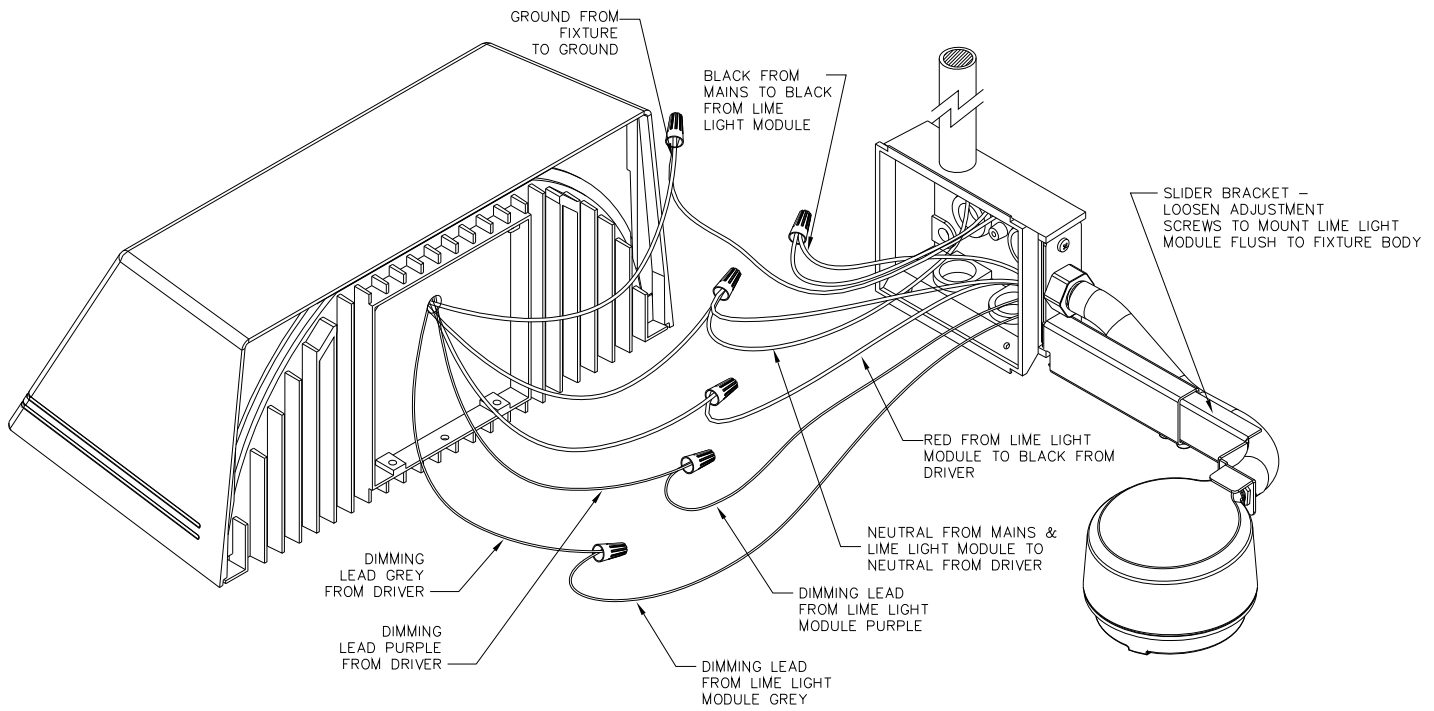
1. APPLY A BEAD OF SEALANT ON WALL AROUND SPLICE BOX OPENING AND AROUND HOLES USED FOR OPTIONAL MOUNTING BOLTS OR SCREWS WHEN USING A 4" OCTAGONAL BOX (SHOWN), FILL GAP BETWEEN WALL OPENING AND SPLICE BOX WITH SEALANT.
2. PLACE THE MOUNTING BRACKET OVER THE SPLICE BOX AND SECURE WITH J-BOX SCREWS.
3. ENSURE THE (2) LOCKING SCREWS ARE RETRACTED TO CLEAR THE MOUNTING PLATE.
4. CONNECT LINE TO SUPPLY LINE, COMMON TO COMMON AND GROUND TO GROUND.
5. PLACE ALL SPICED CONNECTIONS AND EXCESS WIRE IN SPLICE BOX.
6. ALIGN THE FIXTURE AT A SLIGHT ANGLE AND SLIGHTLY ABOVE THE TOP AND THE CENTER OF THE OF THE MOUNTING BRACKET. SLIDE DOWN THE FIXTURE SLOWLY TO ENSURE THE HANGER BRACKET ENGAGES WITH MOUNTING PLATE.
7. ANGLE / POSITION THE FIXTURE PARALLEL TO THE MOUNTING SURFACE. VISUALLY CHECK FOR ANY PINCHED WIRES OR MISALIGNMENT IN INSTALLATION BEFORE TIGHTENING THE (2) LOCKING SCREWS.
8. OPEN DOOR AND COMPLETE THE CONNECTION AS SHOWN. THIS CONNECTION MUST BE DONE SO THAT THE BATTERY PACK IS ALWAYS IN CHARGE MODE.
9. THE LED'S MAY LIGHT UP AND STAY TURNED ON FOR SOME TIME. THIS IS NORMAL AS THE THERE IS SOME POWER IN THE BATTERY PACK TO ENERGIZE THE LED'S
10. CLOSE DOOR AFTER MAKING THIS CONNECTION.

NOTE: MOUNTING BRACKET IS SECURED TO THE WALL WITH 5/16 BOLTS (BY OTHERS)
STRUCTURAL MEMBERS MUST BE PRESENT IN THE WALL TO ACCEPT BOLTS.

INSTALLATION INSTRUCTIONS – FOR 100 LINE LED SCONCE LIME LIGHT CONTROL OPTION – 101L, 102L, 104L, 106L, 107L & 108L



INSTALL / MOUNT THE LIME LIGHT MODULE WITH J-BOX TO THE WALL / SURFACE USING (4) 5/16 BOLTS SUPPLIED BY OTHERS. COMPLETE WIRING AS SHOWN. INSTALL FIXTURE AS PER STANDARD MOUNTING PROCEDURE AS DEFINED ON PAGE 2 OR 3



REFERENCE THE LIME LIGHT PRODUCT MANUAL FOR ALL PROGRAMMING INSTRUCTIONS.

