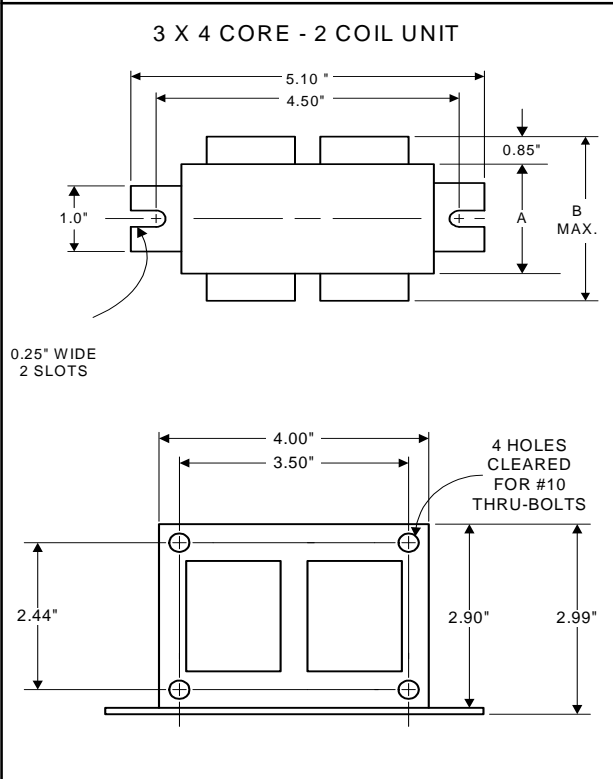


# PHILIPS ADVANCE

## High Pressure Sodium Lamp Ballast

Catalog Number 71A8071  
For 100W S54  
60 Hz HX-HPF  
Status: Active

### DIMENSIONS AND DATA

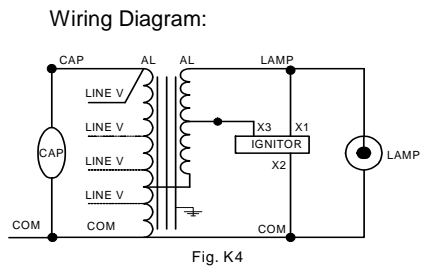


	120	208	240	277
INPUT VOLTS				
CIRCUIT TYPE	HX-HPF			
POWER FACTOR (min)	90%			
REGULATION				
Line Volts	±5%			
Lamp Watts	WITHIN TRAPEZOID			
LINE CURRENT (Amps)				
Operating.....	1.15	0.67	0.58	0.50
Open Circuit.....	2.20	1.25	1.10	0.85
Starting.....	0.75	0.45	0.37	0.30
UL TEMPERATURE RATINGS				
Insulation Class	H(180°C)			
Coil Temperature Code	1029			
MIN. AMBIENT STARTING TEMP.	-40°F or -40°C			
NOM. OPEN CIRCUIT VOLTAGE	125			
INPUT VOLTAGE AT LAMP DROPOUT.....	96	165	188	214
INPUT WATTS	135			
RECOMMENDED FUSE (Amps).....	7	5	3	3
CORE and COIL				
Dimension (A)	2.00			
Dimension (B)	3.45			
Weight (lbs.)	7			
Lead Lengths	12"			
CAPACITOR REQUIREMENT				
Microfarads	10.0			
Volts (min.)	280			
Fault Current Withstand (amps)				
60 Hz TEST PROCEDURES (Refer to Advance Test Procedure for HID Ballasts - Form 1270)				
High Potential Test (Volts)				
1 minute	2000			
2 seconds	2500			
Open Circuit Voltage Test (Volts)	110-130			
Short-Circuit Current Test (Amps)				
Secondary Current	2.60-3.30			
Input Current.....	0.60-0.90	0.35-0.55	0.30-0.45	0.29-0.43

Capacitor: 7C100M30RA



Capacitance: 10  
Dia/Oval Dim: 1.65  
Height: 2.75  
Temp Rating: 105°C



Ignitor: LI551-H4



Ballast to Lamp Distance (BTL) = 2 feet  
Temp Rating: 105°C

### Ordering Information

Order Suffix	Description

Data is based upon tests performed by Philips Lighting Electronic N.A. in a controlled environment and representative of relative performance. Actual performance can vary depending on operating conditions. Specifications are subject to change without notice.