

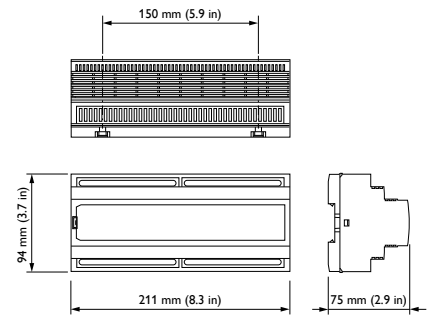


DDPB22RJ12 Network Junction Box

Providing installers with flexible networking options onsite

The Philips Dynalite DDPB22RJ12 facilitates termination of 22 DyNet flat cables in one location. Flat data cable is specifically designed for high reliability localized network wiring as found in residential applications.

- Acts as a junction box — Provides flexible networking options.
- Facilitates faster installation — The device takes advantage of the RJ12 connection system, allowing for a quick install and simple implementation of a star network topology.
- Complements DyNet flat cable — Cable is available in 200 m roll or pre-terminated leads of 3, 5 or 10 m.



For detailed product information, please refer to the product information pages at www.philips.com/dynalite and follow the links.

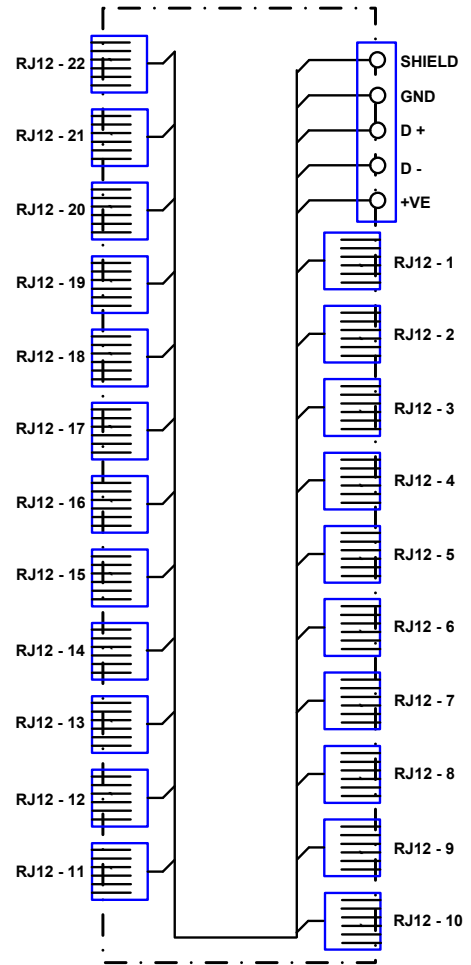
Specifications

Due to continuous improvements and innovations, specifications may change without notice.

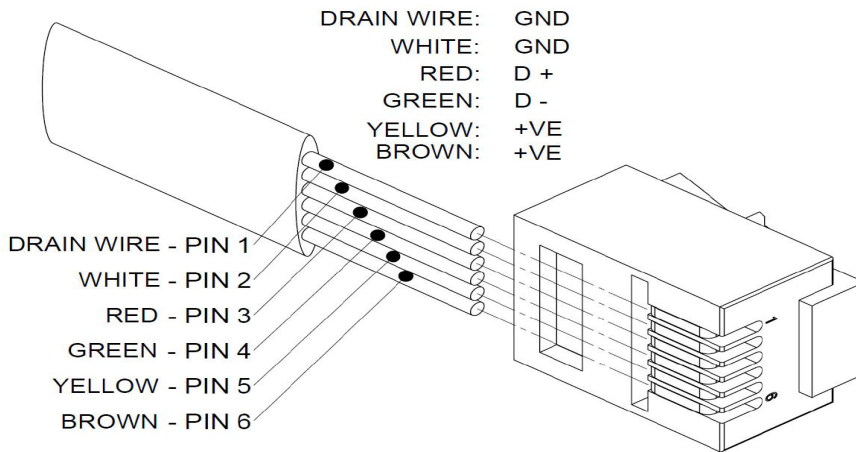
Item	Specification	Details
Controls	User Controls	Internal Diagnostic LED for network connection
Physical	Connectors	1 x 5 way screw terminal 22 x RJ12 sockets
	Dimensions (H x W x D)	94 mm x 211 mm x 75 mm (3.7" x 8.3" x 2.9")
	Packed Weight	0.94 kg
	Construction	Polycarbonate DIN-rail enclosure (12 unit)
	Operating Conditions	Temperature: -0 to 40° C ambient Humidity: 0 to 95% non-condensing
Certification	Certification	CE, C-Tick
	I2NC ordering codes	Standard Product DDPB22RJ12 (Philips I2NC 913703097809)



Electrical Diagram



RJ12 6 Pole Wiring



Philips Dynalite
 6 / 691 Gardeners Road
 Mascot, NSW 2020
 Australia
 Tel: +61 2 8338 9899
 Email: dynalite.info@philips.com
 Web: www.philips.com/dynalite

Specifications subject to change without notice. ©WMGD Pty Ltd Trading as Dynalite. Unit 6, 691 Gardeners Road Mascot 2020 Australia. ABN 33 097 246 921. All rights reserved. Dynalite, DyNet and associated logos are the registered trademarks of WMGD Pty Ltd. Not to be reproduced without permission.