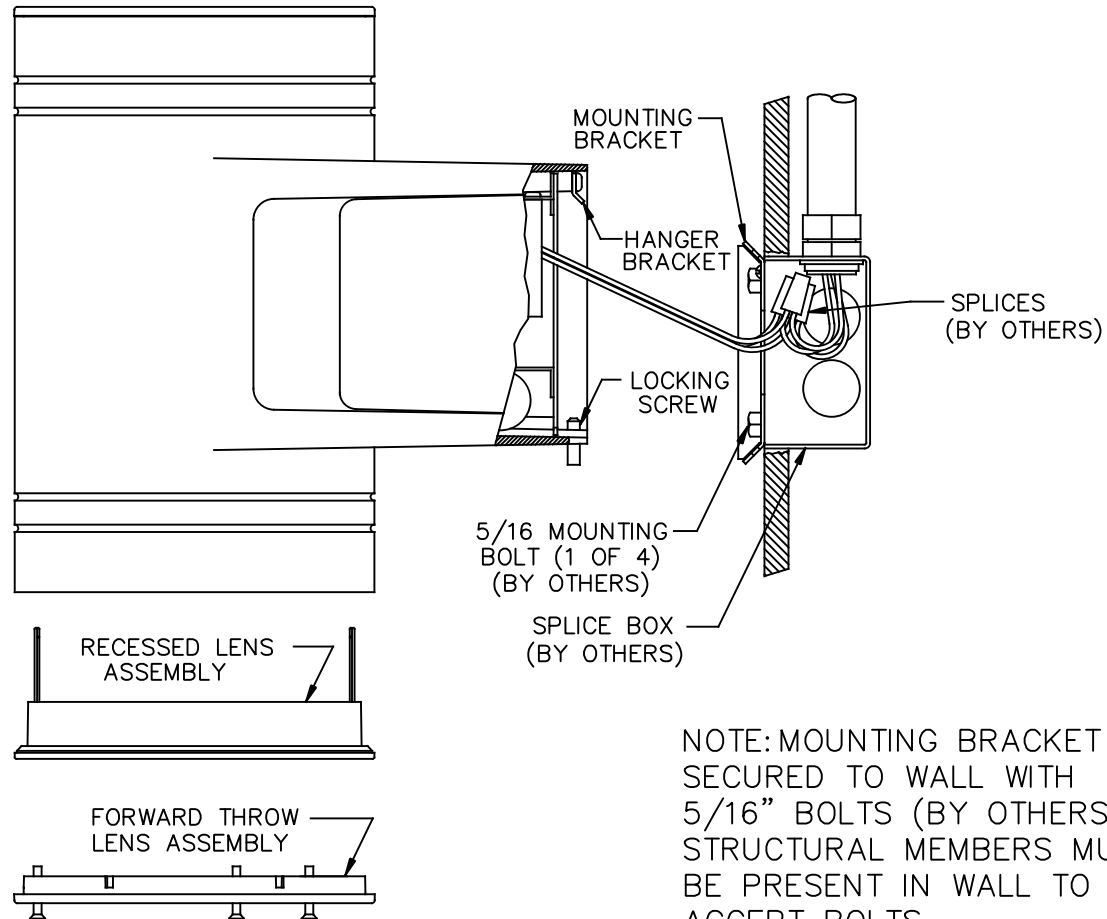


INSTALLATION INSTRUCTIONS

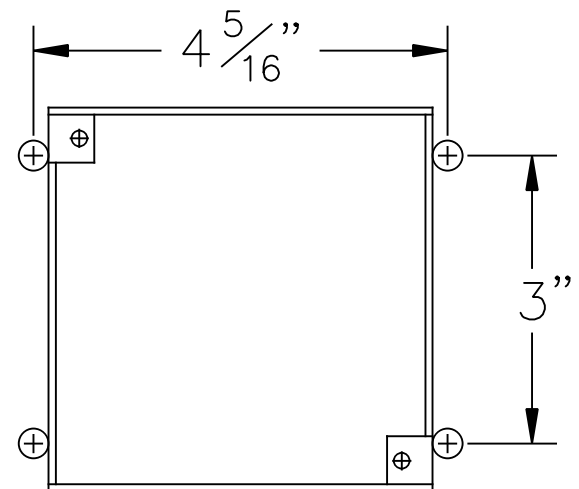
301 LINE CYLINDERS

IMPORTANT: READ ALL INSTRUCTIONS BEFORE PERFORMING ANY WORK.
BE SURE ALL POWER IS OFF PRIOR TO INSTALLING LUMINAIRE.

WARNING: LUMINAIRE MUST BE GROUNDED IN ACCORDANCE WITH APPROPRIATE CODES. FAILURE TO DO SO MAY RESULT IN SERIOUS INJURY.



1. PLACE MOUNTING BRACKET OVER SPLICE BOX, LEVEL AND SECURE TO WALL WITH 5/16" BOLTS (BY OTHERS). NOTE: SPLICE BOX SCREWS MAY BE USED TO HOLD THE MOUNTING BRACKET IN PLACE WHILE THE BOLTS ARE BEING INSTALLED.
2. MAKE ELECTRICAL CONNECTIONS. LUMINAIRE LINE TO SUPPLY LINE, COMMON TO COMMON AND GROUND TO GROUND.
3. PLACE SPLICES AND EXCESS WIRE IN SPLICE BOX. CAREFULLY ENGAGE HANGER BRACKET TO MOUNTING BRACKET BEING CAREFUL NOT TO PINCH WIRES. ALLOW LUMINAIRE TO REST AGAINST WALL. TIGHTEN LOCKING SCREWS.



MOUNTING BOLT PATTERN

INSTALLATION INSTRUCTIONS

301 LINE CYLINDERS

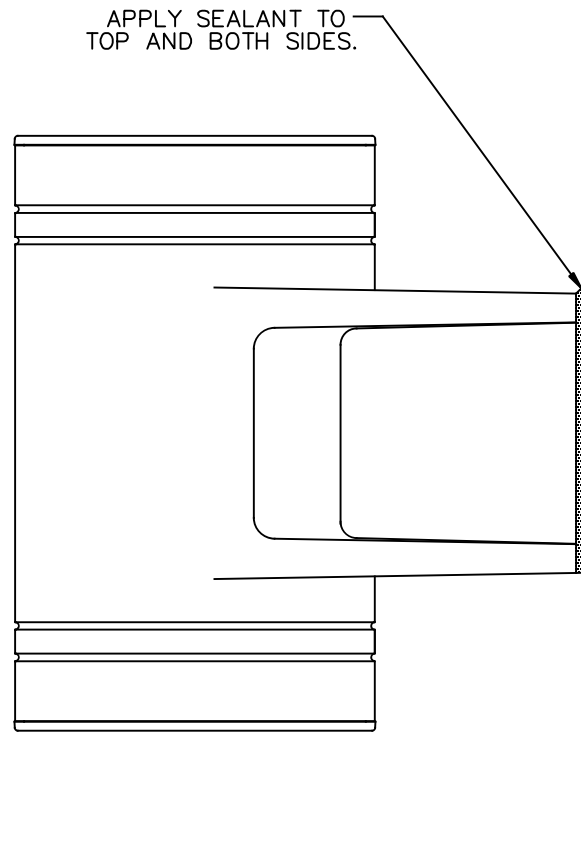
IMPORTANT: READ ALL INSTRUCTIONS BEFORE PERFORMING ANY WORK.
BE SURE ALL POWER IS OFF PRIOR TO INSTALLING LUMINAIRE.

WARNING: LUMINAIRE MUST BE GROUNDED IN ACCORDANCE WITH APPROPRIATE CODES. FAILURE TO DO SO MAY RESULT IN SERIOUS INJURY.

4. IN LENSED UNITS, REMOVE LENS ASSEMBLY IF LAMP INSTALLATION IS REQUIRED. INSTALL LAMP AND REPLACE LENS ASSEMBLY. (TYPICAL LENS ASSEMBLIES ARE SHOWN FOR REFERENCE ONLY)

NOTE: IN SPIKE DOWN (SD) FIXTURES TOP RELAMPING IS REQUIRED. IN SPIKE BOTH (SB) FIXTURES, THE LOWER LENS ASSEMBLY AND THE LOWER REFLECTOR ASSEMBLY MUST BE REMOVED FOR RELAMPING. THE REFLECTOR ASSEMBLY MAY BE REMOVED BY LOOSENING THE THREE SCREWS THAT SECURE IT TO THE HOUSING AND ROTATING THE ASSEMBLY TO DISENGAGE IT FROM THE SCREWS.

5. AFTER SPLICE INSPECTION, SEAL THE GAP BETWEEN THE LUMINAIRE AND THE WALL WITH SEALANT (BY OTHERS) APPLIED TO THE TOP AND BOTH SIDES OF THE WALL/LUMINAIRE INTERFACE (AS SHOWN).



© 2016 Philips Lighting Holding B.V. All Rights Reserved.
www.philips.com/luminaires

443561008500/A817164 REV. A

Page 2 of 2

Philips Lighting North America
Corporation
200 Franklin Square Drive,
Somerset, NJ 08873, USA

Philips Lighting Canada Ltd.
281 Hillmount Road,
Markham ON, Canada L6C 2S3