

Read and understand these instructions before installing luminaire.

This luminaire is intended for installation in accordance with the National Electrical Code and local regulations. To assure full compliance with local codes and regulations, check with your local electrical inspector before installation. To prevent electrical shock, turn off electricity at fuse box before proceeding.

Retain these instructions for maintenance reference.

INSTRUCTIONS FOR INSTALLING POWERTRIP PLUG-IN BREAKER FOR USE WITH POWERTRIP FEED CONNECTORS 26099, 26S99, 37099 & 37S99 ONLY.

Note: Powertrip Plug in Breaker will limit the wattage on a track circuit by automatically turning the circuit off if the wattage on the track exceeds the Breaker wattage rating. The Breaker can also function as a standard ON/OFF switch.

* TURN OFF POWER AT BREAKER BOX BEFORE INSTALLING ANY ELECTRICAL DEVICE.

* THE "A" SERIES BREAKERS ACCEPT 120V OR 277V 60Hz CIRCUITS

277V CIRCUITS ARE USED WITH 37000 SERIES TRACK AND 37099 / 37S99 POWERTRIP CONNECTOR.

120V CIRCUITS ARE USED WITH 26000 SERIES TRACK AND 26099 / 26S99 POWERTRIP CONNECTOR.

1. Install circuit breaker with attached wiring per instruction sheet included with the applicable PowerTrip feed connector. (See FIG. 1)
2. Orient INNER ELECTRICAL RATINGS LABEL such that it will be visible after installation. (See Fig. 1)
3. Apply RATINGS LABEL to powertrip connector in location shown in FIG. 2. ELECTRICAL RATING LABEL MUST MATCH BREAKER AMP RATING. FAILURE TO APPLY THIS LABEL WILL VOID CODE COMPLIANCE.

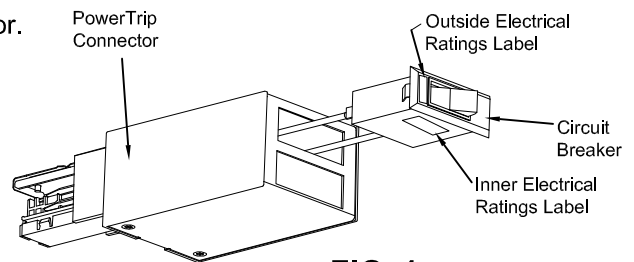


FIG. 1

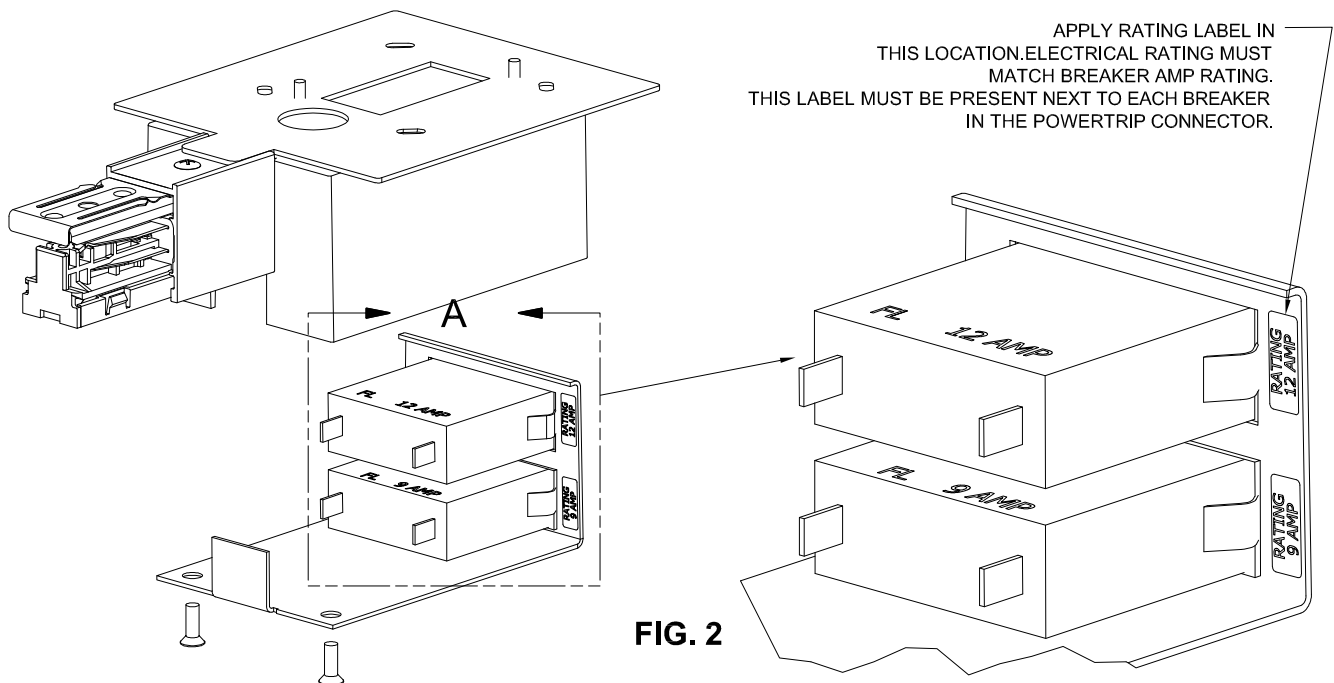


FIG. 2

B. OPERATING PLUG IN BREAKER.

1. Turn breaker OFF.
2. Check the INNER ELECTRICAL RATINGS LABEL.
The maximum amperage and wattage will be written on this label, for each of the applicable voltages. The total luminaire wattage on the circuit must be equal or below the wattage stated on the INNER ELECTRICAL RATING LABEL.(SEE NOTE BELOW)
3. After luminaires are installed onto track turn BREAKER ON.
Lights should turn ON.
4. The BREAKER will automatically switch to OFF when the wattage on the circuit exceeds the wattage limit of the breaker. OFF is designated by a RED MARKING on the side of the BREAKER SWITCH.
5. Turn the breaker to the ON position. If the breaker switches off again the wattage on the circuit must be reduced. Reduce the wattage on the track circuit. Turn the breaker ON. Continue to reduce the wattage on the circuit until the breaker doesn't turn OFF.

C. OPERATING PLUG IN BREAKER AS A SWITCH.

1. Turn the BREAKER SWITCH to ON to turn the circuit ON.
The switch will sit flush.
2. Turn the BREAKER SWITCH to OFF to turn the circuit OFF.
The Red Marking designates the off position. (See FIG. 3)

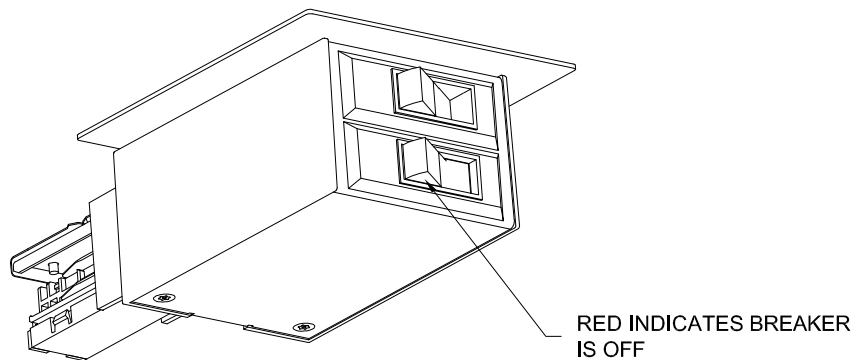


FIG. 3

NOTE: Luminaires, lamps, and electrical supply service have a large electrical tolerance. For example if a luminaire is lamped with a 50 watt lamp the actual wattage that the luminaire is drawing may be higher or lower than 50 watts. Due to these large tolerances it is possible that the circuit BREAKER will trip OFF if the total lamp wattage on the track is equal or slightly below the rated wattage listed on the BREAKER.



© 2016 Philips Lighting Holding B.V. All rights reserved.
Specifications are subject to change without notice.
www.philips.com/luminaires

Philips Lighting North America Corporation
200 Franklin Square Drive
Somerset, NJ 08873 USA
Phone: 855-486-2216

Philips Lighting Canada Ltd.
281 Hillmount Road
Markham ON, Canada L6C 2S3
Phone: 800-668-9008