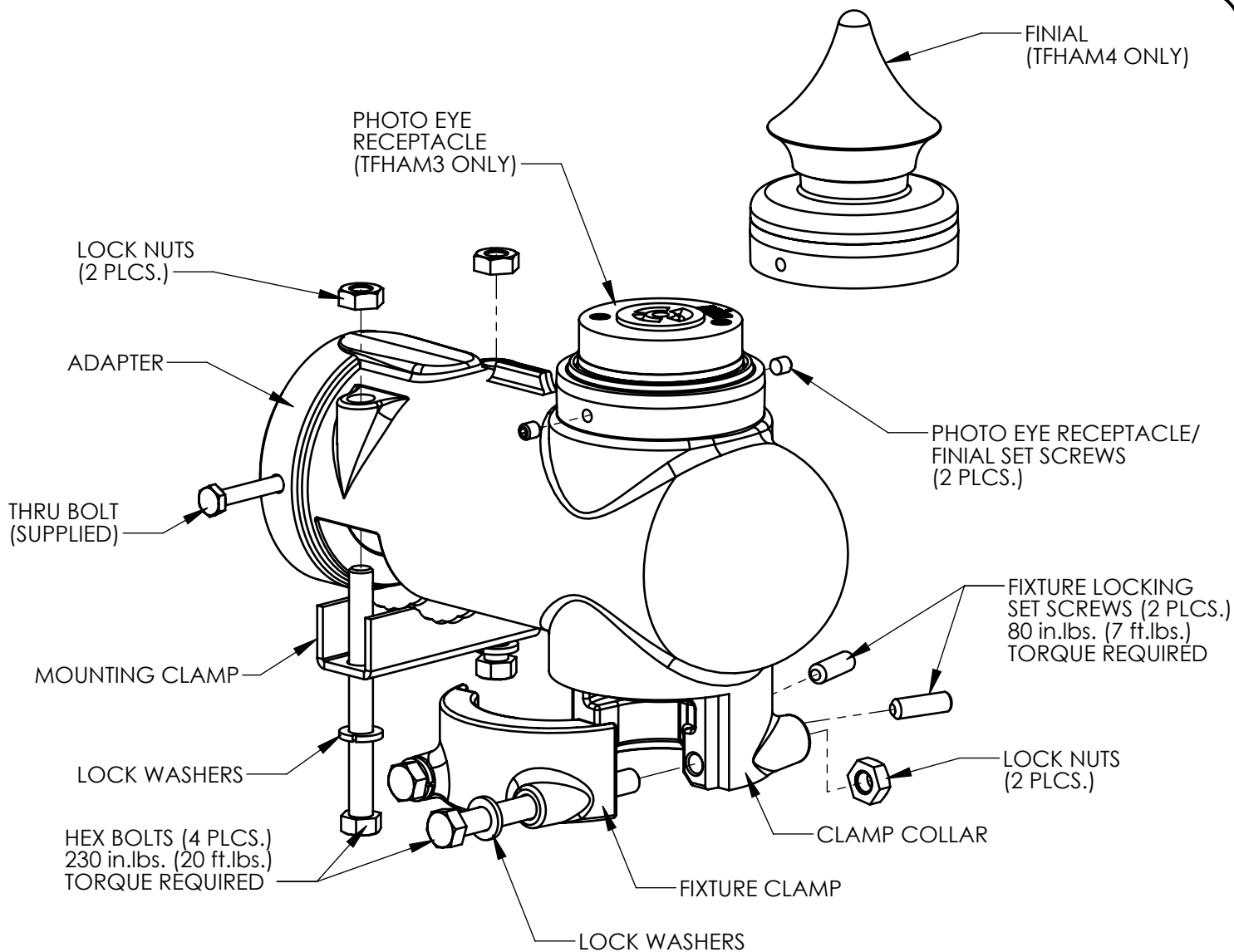
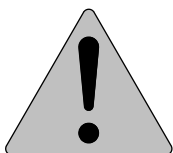


**INSTALLATION INSTRUCTIONS:
HORIZONTAL ARM ADAPTERS
TFHAM3, TFHAM4****CAUTION**

1. The electrical power must be disconnected from the fixture and pole before installing the adapter, or installing, servicing, or relamping the attached fixture.
2. These directions must be read carefully and adhered to. Failure to do so may result in injury, damage to the fixture, and voiding the warranty.



This fixture is intended for installation in accordance with the National Electrical Code and local code specifications. Failure to adhere to these codes and instructions may result in serious injury and/or damage to the ballast and void the warranty. These instructions do not purport to cover all details or variations in equipment, nor to provide for every possible contingency related to installation, operation, maintenance, or mounting situation. Should specific problems occur that are not addressed by these instructions, contact your Sales Representative or distributor for assistance. Retain these instructions for future reference.

TOOLS REQUIRED

9/16" Wrench and socket
7/16" Wrench and socket
5/32" Allen head driver
Torque wrench
Needle nose pliers (to pull the wires through the adapter)

INSTALLATION

1. **WARNING:** The power MUST be turned off prior to proceeding. Read these instructions carefully. If any problems are encountered that are not covered in these instructions, contact HADCO for assistance.
2. **NOTE:** The power supply wires must be restrained in the arm to ensure they do not cause an unnecessary strain on the electrical connections or fall down the pole. The wires should protrude from the arm about 8" to allow for making electrical connections within the *adapter*.
3. Place *adapter* on arm:
 - a. Insert the arm supply wires into the *adapter*.
 - b. Slide the *adapter* onto the arm, and set it to the proper angle using internal cast-in steps.

NOTE: The *adapter* is designed to mount securely to 2-3/8" O.D. arms only.

NOTE: The *fixture collar* on the *adapter* should point toward the ground.

4. Fasten *adapter* to arm:
 - a. Fasten *mounting clamp* against arm by torquing the two (2) *hex bolts* to 230 in.lbs. (20 ft.lbs.)
 - b. Lock *hex bolts* by tightening two (2) *lock nuts*.

NOTE: Make sure fixture is hanging straight down before tightening *mounting clamp*.

5. Wire *adapter*:
 - a. Loosen the *photo eye receptacle* (TFHAM3) or *finial* (TFHAM4) *set screws* each by about 1/8" and lift the receptacle off of the *adapter*.
 - b. Carefully pull the arm supply wires through the top opening of the *adapter*.
 - c. Also pull the three adapter supply wires through the top opening. Connect the leads and push them back into the *adapter*.
6. Re-install *photo eye receptacle/finial*:
 - a. Set the *photo eye receptacle/finial* back onto the *adapter*.
 - b. TFHAM3: Orient the *receptacle* correctly per the North arrow marked on it.
 - c. Tighten the two (2) *set screws* to lock the receptacle/finial into place.
7. **NOTE:** The electrical connection to the fixture is designed to be made to a quick-connect. HADCO fixtures are supplied with a quick-connect already attached to the supply wires.
8. Mount fixture to *adapter*:
 - a. Loosen the two (2) *hex bolts* in for the *fixture clamp* by about 7/8" each.
 - b. Pull the *fixture clamp* back to allow the maximum opening for mounting the fixture.
 - c. Join the quick-connect from the fixture to the quick-connect on the *adapter*.
 - d. Tuck wires and quick-connects into the light fixture to prevent pinching of the wires and ensure that the *fixture clamp* will tighten properly.
 - e. Lift the fixture up and set its neck into the opening between the *clamp collar* and *fixture clamp*.
 - f. Push the *fixture clamp* against the neck of the fixture and hand tighten the two (2) *hex bolts*.
 - g. Rotate the fixture to its desired orientation, then torque the two (2) *hex bolts* to 230in.lbs. (20 ft.lbs.)
 - h. Lock *hex bolts* by tightening two (2) *lock nuts*.
 - i. **IMPORTANT:** Torque two (2) *fixture locking set screws* to 80in.lbs. (7 ft.lbs.)

NOTE: *Thru bolt* provided and recommended for safety.

9. TFHAM3 : Install a photo eye (customer supplied) into the *receptacle*.
10. The edges between the *fixture clamp* and the *clamp collar* must be inspected for gaps. A suitable outdoor/ waterproof sealant must be used to fill any gaps in the mating parts. FAILURE TO DO SO MAY ALLOW WATER TO ENTER THE FIXTURE AND VOID THE WARRANTY.
11. Complete any further steps necessary to install the fixture. When fixture installation is completed, re-connect the electrical power and test the installation.